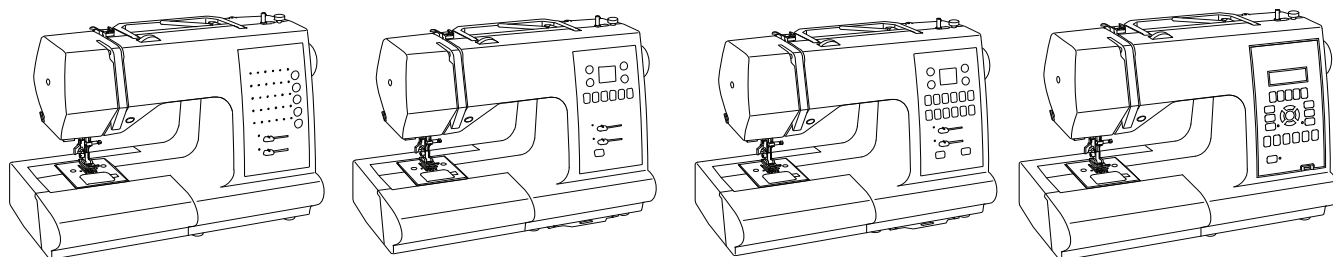




SINGER®

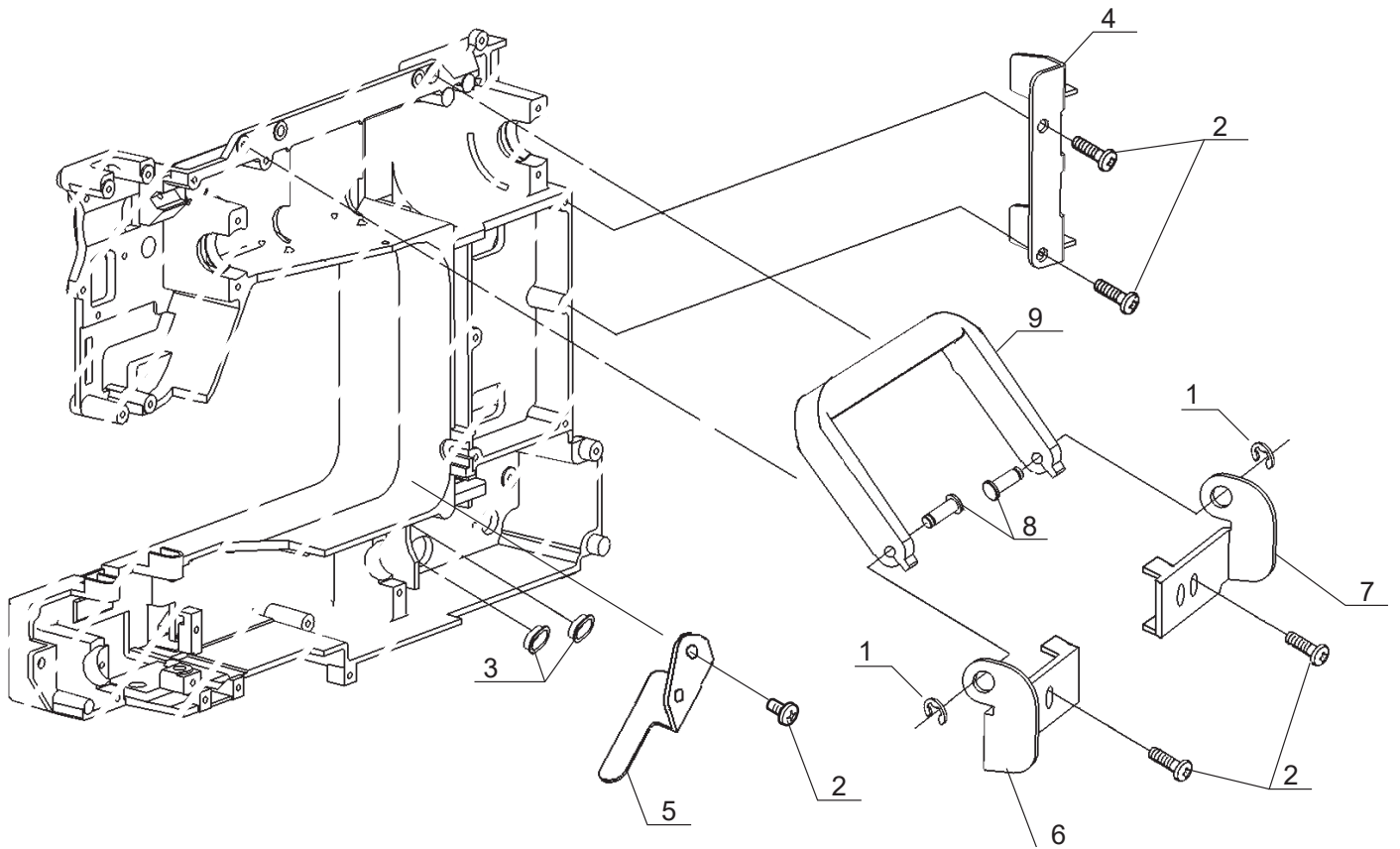
7463, 7465,
7467, 7469,
7469Q, 7470



® A registered trademark of The Singer Company Ltd. or its affiliates.
® **Una marca registrada de The Singer Company Ltd. o sus afiliados.**
® *Une marca déposée de The Singer Company Ltd. ou ses filiales.*

Liste de pièces
Lista de Piezas
Parts List

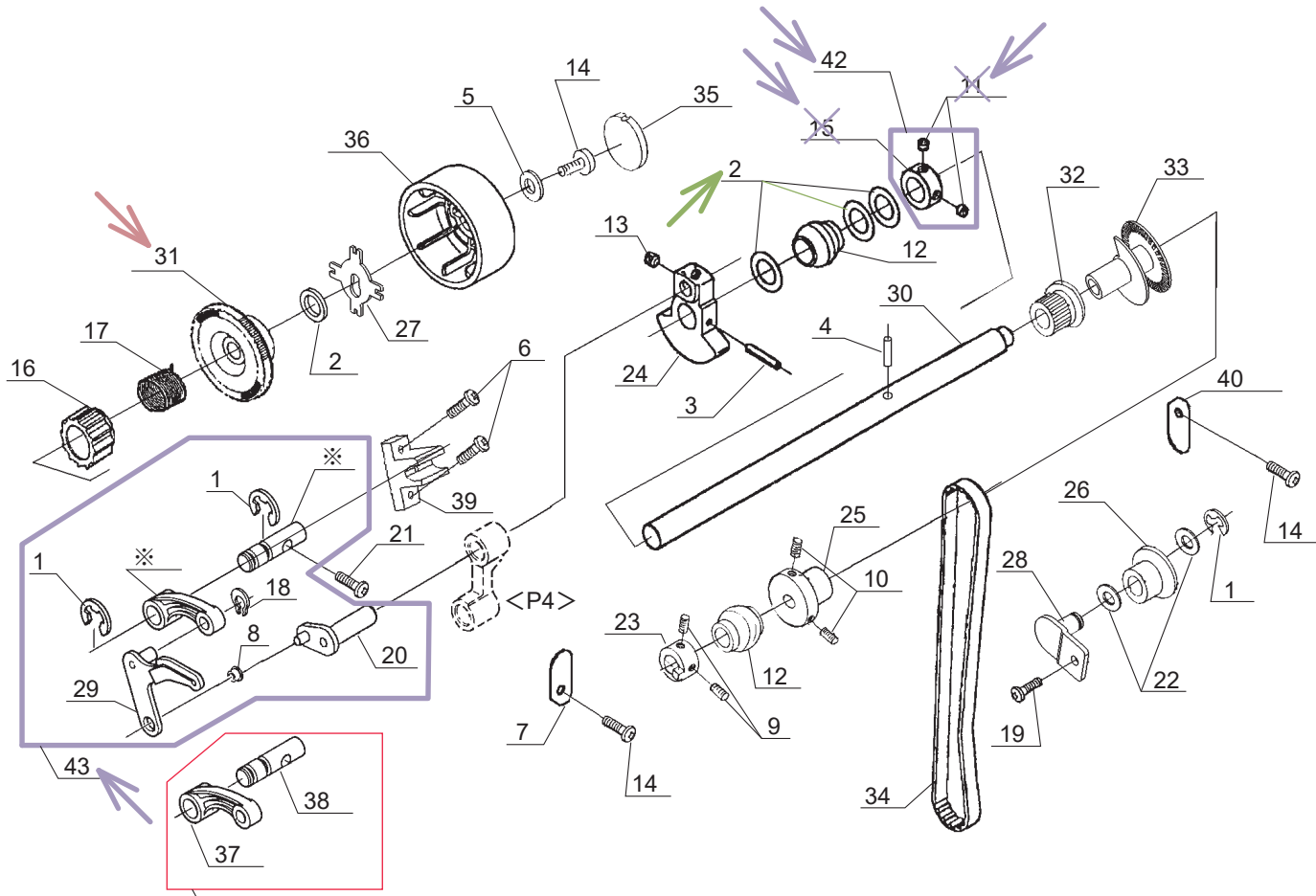
A



Pos	Part No.	Description
1	415404201	E4 CLIP-ON-WASHER
2	270 077042	M4 PHILIPS SCREW
3	270 080070	CORD GUIDE
4	270 087133	BRACKET
5	270 087156	BRACKET
6	270 087193	HANDLE BRACKET (L)
7	270 087194	HANDLE BRACKET (R)
8	270 087216	PIN
9	270 087305	HANDLE

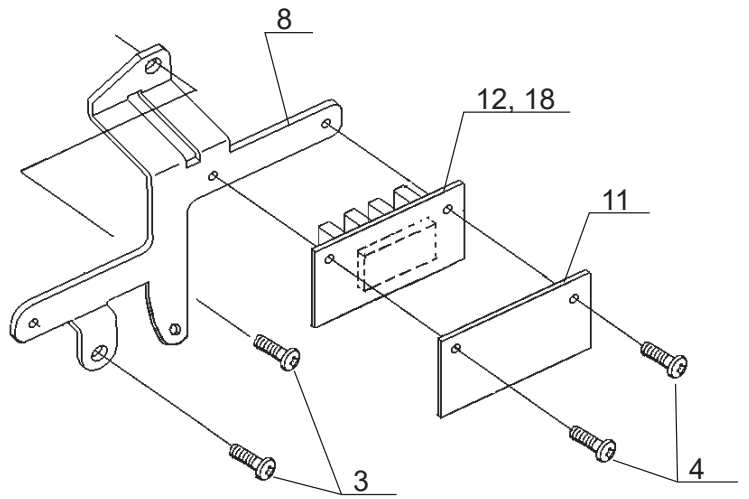
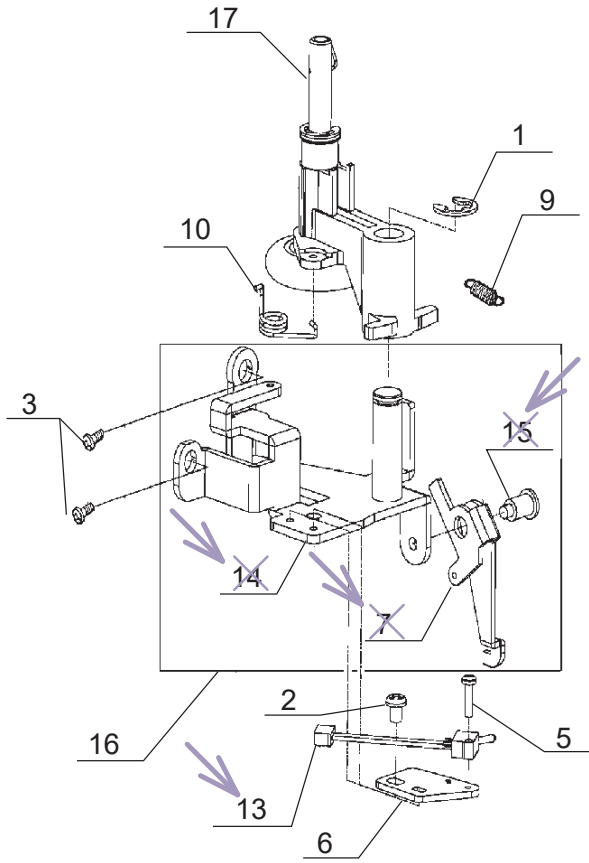
A

B



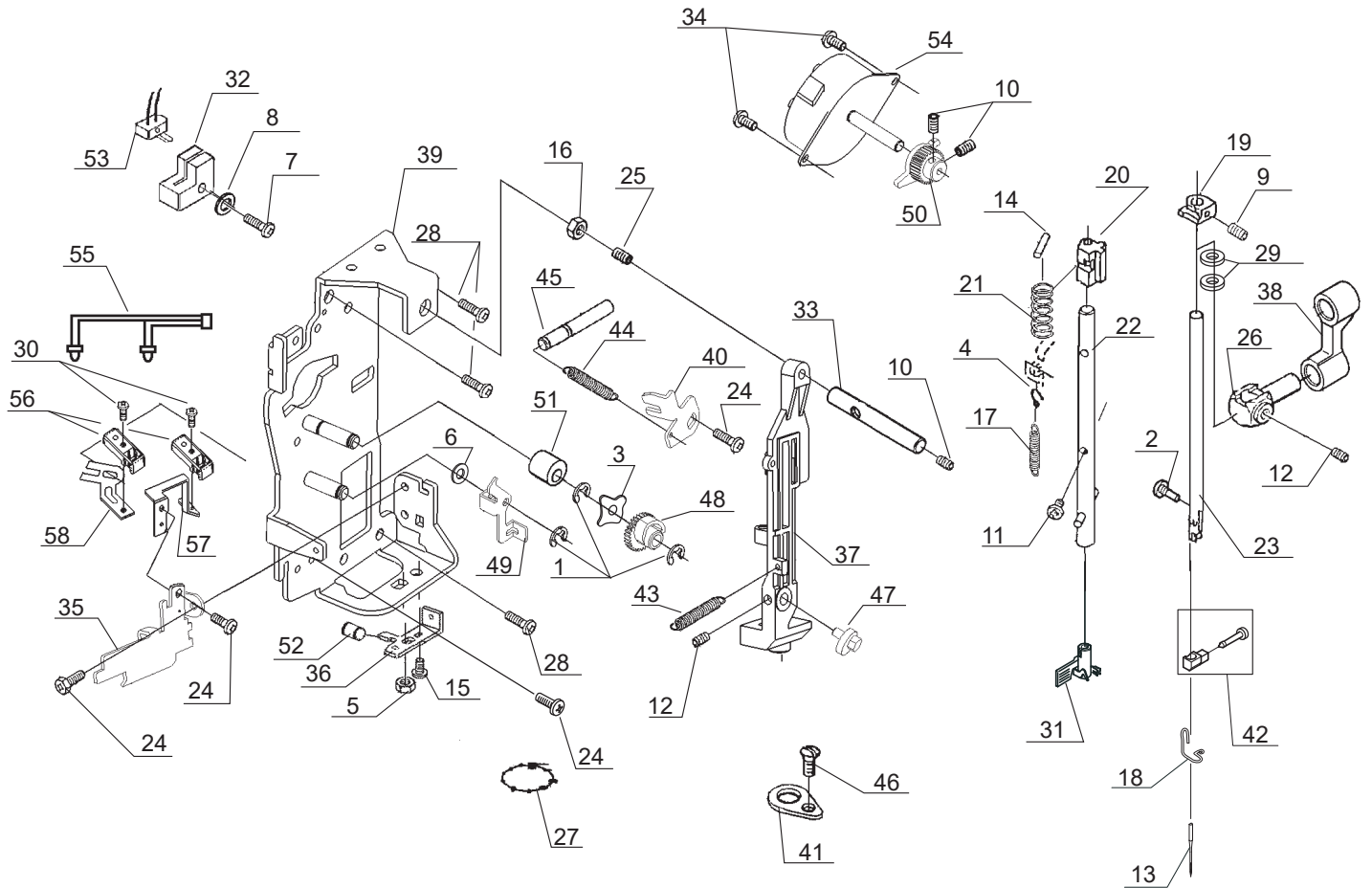
Pos	Part No.	Description
1	270 010963	E6 CLIP-ON-WASHER
2	270 043389	THRUST WASHER
3	270 043930	SPRING PIN
4	270 044066	SPRING PIN
5	270 053403	WASHER
6	270 061224	M4 PHILIPS SCREW
7	270 066235	SECURING PLATE
8	270 066437	BUSH
9	270 066725	M4 SCREW
10	270 066727	M4 SCREW
11	270 067447	M5 SCREW
12	270 068152	BALL BUSH
13	270 073371	M6 SCREW
14	270 073434	M4 PHILIPS SCREW
15	270 073472	COLLAR
16	270 075047	CLUTCH
17	270 075194	TORSION SPRING
18	270 075207	CS-CLIP
19	270 075274	M4 PHILIPS SCREW
20	270 076366	CRANK SHAFT
21	270 077035	M4 PHILIPS SCREW
22	270 077056	WASHER
23	270 085013	POSITIONING COLLAR
24	270 085017	BALANCER
25	270 085046	COLLAR
26	270 085138	TENSION ROLLER
27	270 085217	RETAINER
28	270 087125	IDLER PULLEY BRACKET
29	270 087134	TAKE-UP LEVER
30	416502901	MAIN SHAFT
31	68013652	BELT PULLEY
32	270 087221	UPPER TIMING BELT GEAR
33	270 087241	ENCODER
34	270 087264	TIMING BELT
35	270 087288	PULLEY CAP
36	270 087299	PULLEY
37		TAKE-UP LEVER CRANK = USE 416556701
38		SHAFT = USE 416556701
39	270 088311	TAKE-UP LEVER SHAFT BLOCK
40	416555601	SECURING PLATE
41	416556701	TAKE-UP LEVER CRANK
42		COLLAR SET
43	68013728	TAKE-UP LEVER ASS
44	416556701	TAKE-UP/SHAFT SET

C



Pos	Part No.	Description
1	270 010963	E6 CLIP-ON-WASHER
2	270 073900	M3 PHILIPS SCREW
3	270 077042	M4 PHILIPS SCREW
4	270 077053	M3 PHILIPS SCREW
5	270 085274	M2 SCREW
6	416665301	MOUNTING BRACKET
7	416665401	RETAINER
8	270 087139	MOUNTING BRACKET
9	270 087180	EXTENSION SPRING
10	270 087182	TORSION SPRING
11	270 087242	INSULATION SHEET
12	270 087527	PHOTO SENSOR CIRCUIT BOARD (7465, 7467, 7469, 7470)
13	416461401	SWITCH HARNESS
14	270 087739	BOBBIN WINDER BRACKET
15	416503301	M3 SHOULDER SCREW
16	416665601	BOBBIN WINDER BRACKET UNIT
17	270 087815	BOBBIN WINDER UNIT
18	270 087576	PHOTO SENSOR CIRCUIT BOARD (7463)

D

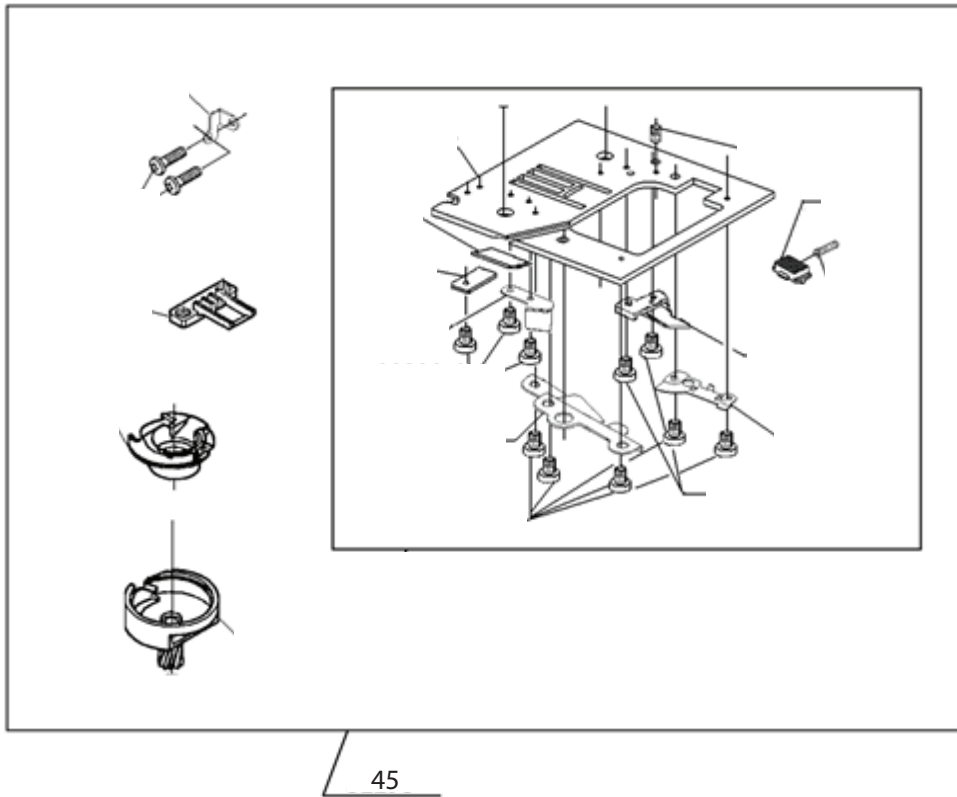
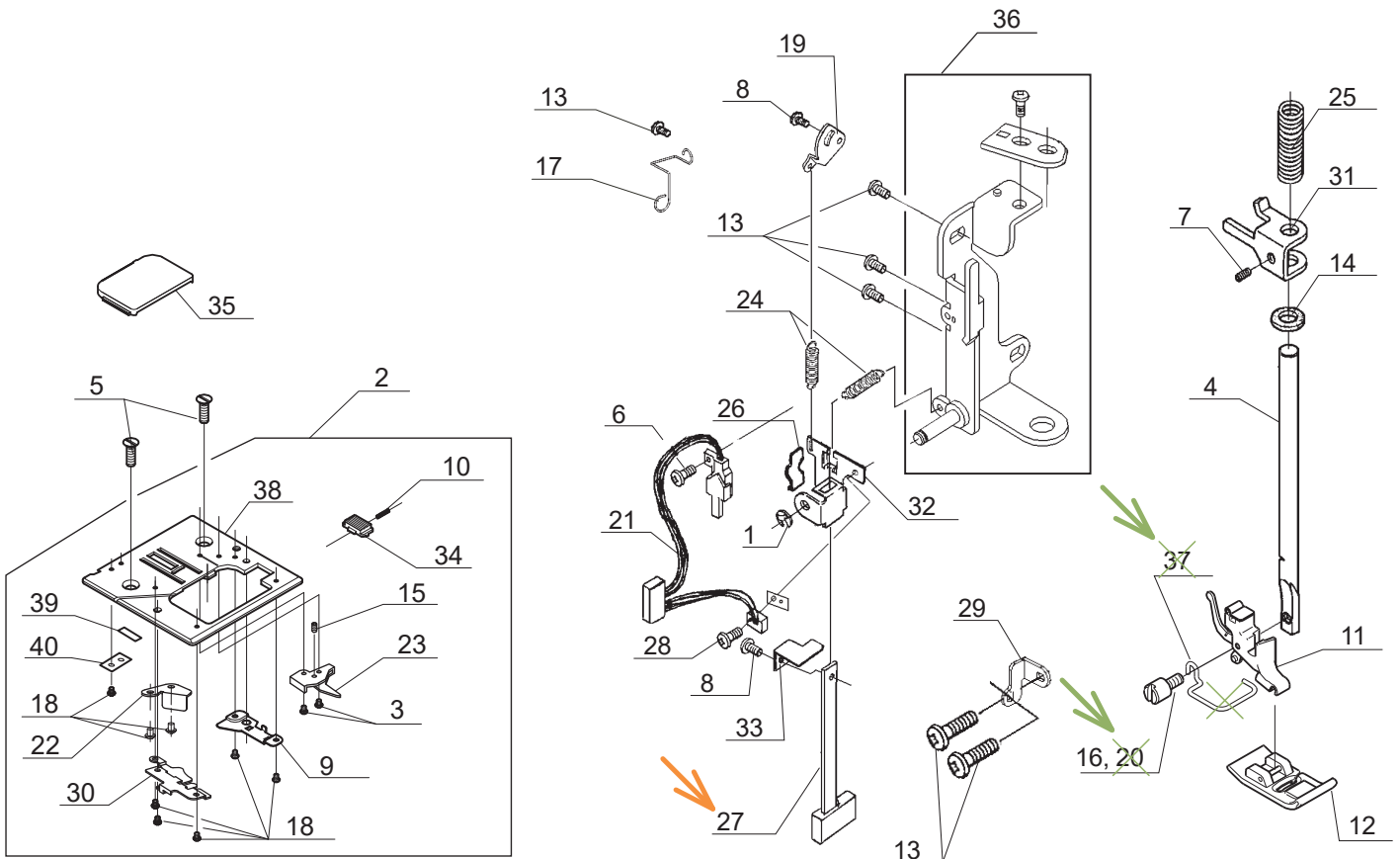


D

Pos	Part No.	Description
1	415404201	E4 CLIP-ON-WASHER
2	270 026934	#8 SCREW
3	270 028735	CRINKLE WASHER
4	270 028917	HOOK FOR SPRING
5	270 031733	M3 NUT
6	270 053321	THRUST WASHER
7	270 063796	M3 SCREW
8	270 063805	WASHER
9	270 064359	M4 SCREW
10	270 064653	M3 SCREW
11	270 066005	M2 PHILLIPS SCREW
12	270 066725	M4 SCREW
13	67232	NEEDLE
14	270 068343	PIN
15	270 072367	M4 CP SCREW
16	270 073299	M4 TORQUE NUT
17	270 074050	EXTENSION SPRING
18	270 075022	THREAD GUIDE
19	270 075024	STOPPER
20	270 075025	GUIDE BLOCK
21	270 075027	COMPRESSION SPRING
22	270 076163	THREADER SHAFT SET
23	270 076183	NEEDLE BAR
24	270 076317	M3 PHILLIPS SCREW
25	270 076324	SCREW
26	270 077037	NEEDLE BAR CLAMP
27	270 077041	UNITY FASTENER
28	270 077042	M4 PHILIPS SCREW
29	270 077043	FELT
30	270 077057	M3 PHILIPS SCREW
31	270 077421	THREADER ASSEMBLY
32	270 077527	SENSOR COVER
33	270 080095	STRAIGHT PIN
34	270 080110	BOLT
35	270 088317	THREAD GUIDE PLATE
36	270 087726	STOPPER
37	270 087101	NEEDLE BAR SUPPORT
38	416555901	NEEDLE BAR CRANK
39	270 087108	NEEDLE BAR SUPPORT BRACKET
40	270 087109	SECURING PLATE
41	270 087111	NEEDLE BAR SWING BRACKET
42	270 087154	NEEDLE CLAMP SET
43	270 087183	SPRING
44	270 087188	SPRING
45	270 087207	STRAIGHT PIN
46	270 087211	M3 SCREW
47	270 087225	ECCENTRIC CAM
48	270 087235	ZIGZAG CAM WITH GEAR
49	270 087245	BELL CLANK FOR ZIGZAG
50	270 087246	PINION GEAR
51	270 087265	SPACER
52	270 087266	SPACER
53	270 087517	SWITCH HARNESS FOR ZIGZAG
54	270 087600	STEPPING MOTOR
55	270 087626	LED LIGHT
56	270 088314	LED LIGHT COVER
57	270 088315	LED LIGHT COVER BRACKET
58	270 088316	LED LIGHT COVER BRACKET

E1

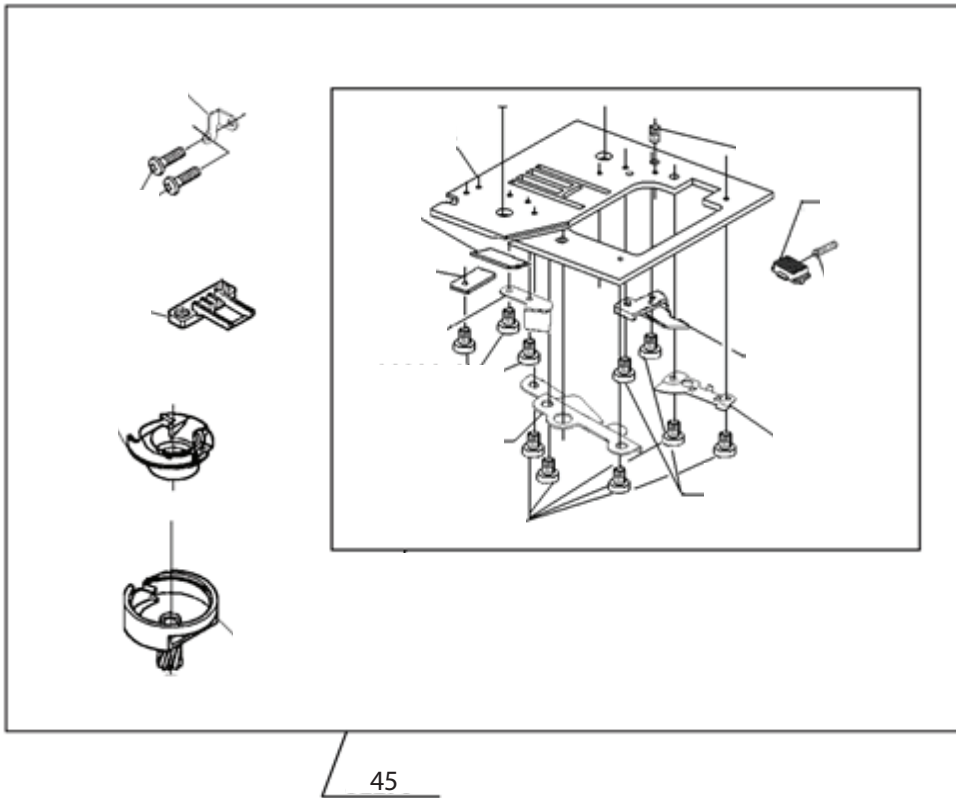
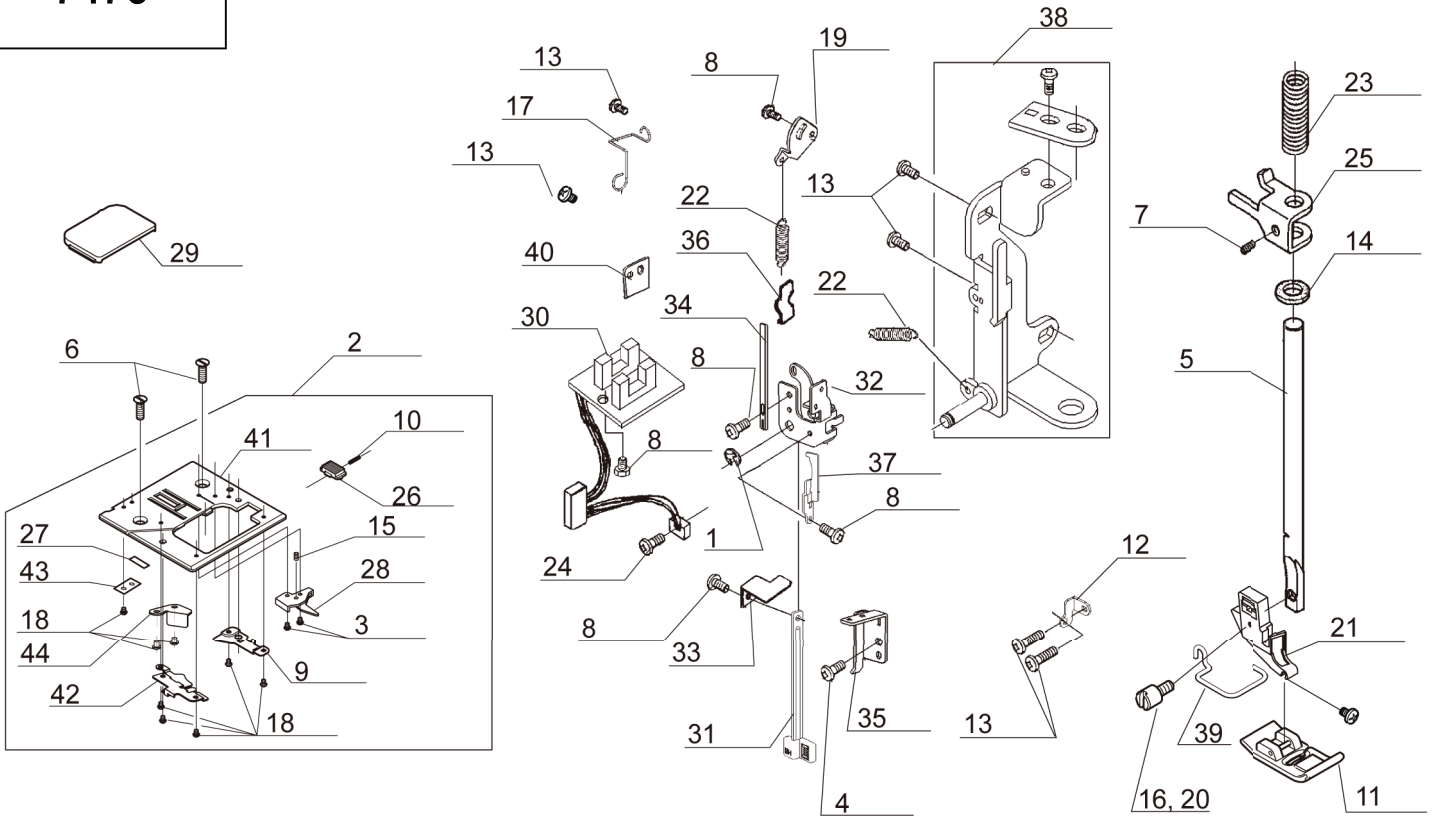
7463, 7465, 7467, 7469



Pos	Part No.	Description
4	270 063278	PRESSER BAR
5	270 064051	M4 SCREW
6	270 066005	M2 PHILIPS SCREW
7	270 066727	M4 SCREW
8	270 073900	M3 PHILIPS SCREW
9	270 076114	COVER GUIDE (R)
10	270 076159	COMPRESSION LEVER
11	270 085016	PRESSER FOOT HOLDER
12	270 076251	ZIGZAG PRESSER FOOT
13	270 077042	M4 PHILIPS SCREW
14	270 077043	FELT
15	270 079491	SCREW
16	270 080065	#7 SCREW FOR SHANK
17	270 080079	CORD GUIDE
18	270 080096	M2 PHILIPS SCREW
19	270 080102	CONTROL PLATE
20	416514401	SCREW FOR SHANK (ITALY ONLY)
21	416828001	BH SWITCH HARNESS
22	416505001	THREAD CONTROL PLATE
23	416505101	BOBBIN CASE HOLD PLATE
24	270 085064	EXTENSION SPRING
25	270 085065	COMPRESSION SPRING
26	270 085181	LEAF SPRING
27	68013726	BH PLATE (A)
28	270 085262	M2 SCREW
29	68013688	BRACKET
30	416504901	COVER GUIDE (L)
31	270 087114	PRESSURE BAR GUIDE
32	270 087117	BH PLATE (B)
33	270 087118	BH PLATE (C)
34	270 087234	RELEASE LEVER
35	270 087340	NEEDLE COVER PLATE
36	416555801	PRESSURE BAR BRACKET SET
37	88039	FINGER GUARD (ITALY ONLY)
38	416665701	NEEDLE PLATE
39	270 087766	BLADE
40	416505401	BLADE PALTE
45	68006071	HORIZONTAL SHUTTLE RACE SET 7463, 7465, 7467, 7469

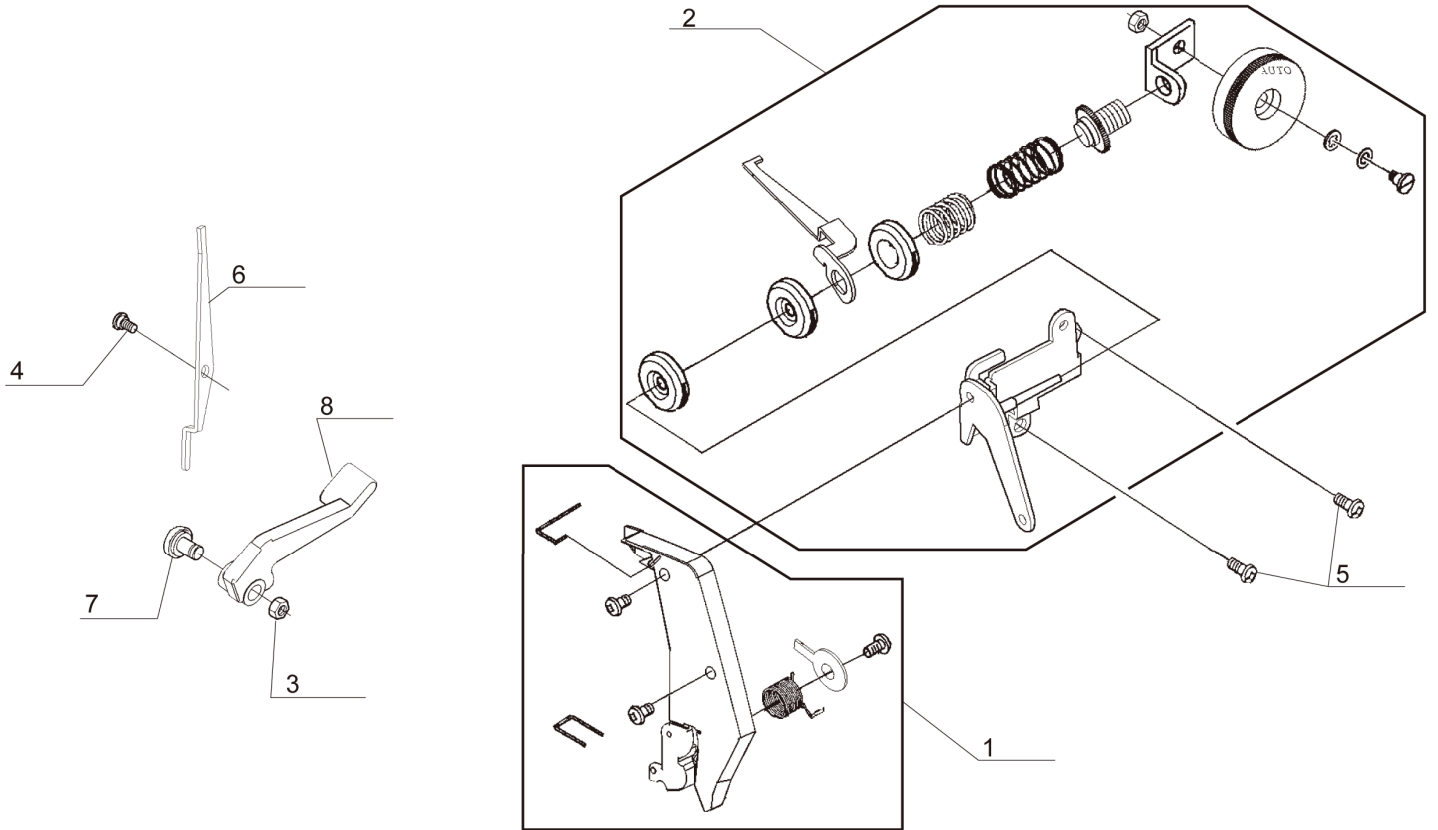
E2

7470



Pos	Part No.	Description
1	270 001520	E3 CLIP-ON-WASHER
2	416504601	NEEDLE PLATE SET for hook Ø 40mm
3	270 056858	M2 PHILIPS SCREW
4	270 061221	M4 PHILIPS SCREW
5	270 063278	PRESSER BAR
6	270 064051	M4 SCREW
7	270 066727	M4 SCREW
8	270 073900	M3 PHILIPS SCREW
9	270 076114	COVER GUIDE (R)
10	270 076159	COMPRESSION LEVER
11	270 076251	ZIGZAG PRESSER FOOT
12	68013688	BRACKET
13	270 077042	M4 PHILIPS SCREW
14	270 077043	FELT
15	270 079491	SCREW
16	270 080065	#7 SCREW FOR SHANK
17	270 080079	CORD GUIDE
18	270 080096	M2 PHILIPS SCREW
19	270 080102	CONTROL PLATE
20	416514401	SCREW FOR SHANK (ITALY ONLY)
21	270 085016	PRESSER FOOT HOLDER
22	270 085064	EXTENSION SPRING
23	270 085065	COMPRESSION SPRING
24	270 085262	M2 SCREW
25	270 087114	PRESSURE BAR GUIDE
26	270 087234	RELEASE LEVER
27	270 087766	BLADE
28	416505101	THREAD CONTROL PLATE
29	270 087340	NEEDLE COVER PLATE
30	270 087618	BH SWITCH HARNESS
31	68013596	BH PLATE (A)
32	270 087679	BH PLATE (B)
33	270 087680	BH PLATE (C)
34	270 087692	BH LEAF
35	270 087693	BRACKET
36	270 087694	LEAF SPRING
37	270 087695	BH PLATE
38	270 087698	PRESSURE BAR BRACKET SET
39	88039	FINGER GUARD (ITALY ONLY)
40	270 088112	INSULATION SHEET
41	416665701	NEEDLE PLATE
42	416504901	COVER GUIDE (L)
43	416505401	BLADE PALTE
44	416505001	THREAD CONTROL PLATE
45	68006071	Replacement Needle plate set (7463/7465/7467/7469) for hook of Ø 39,3mm Includ. Needle Plate Set, Shuttle race, Bobbin case, Feed dog.
45	68006066	Replacement Needle plate set (7470) for hook of Ø 39,3mm Includ. Needle Plate Set, Shuttle race, Bobbin case, Feed dog.

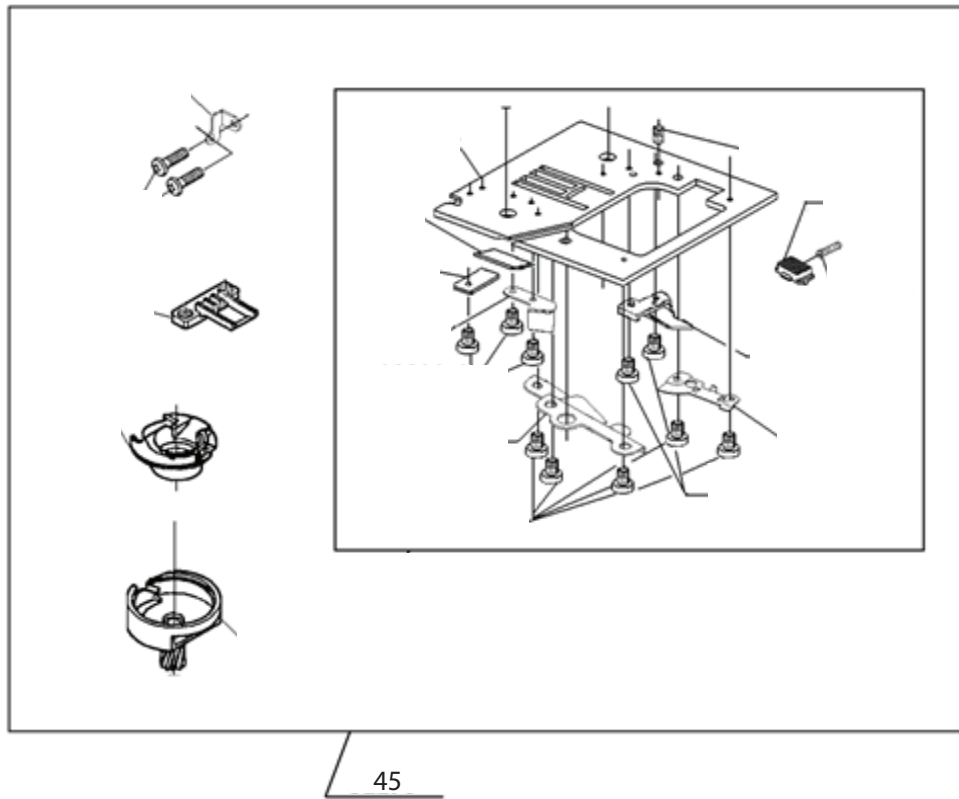
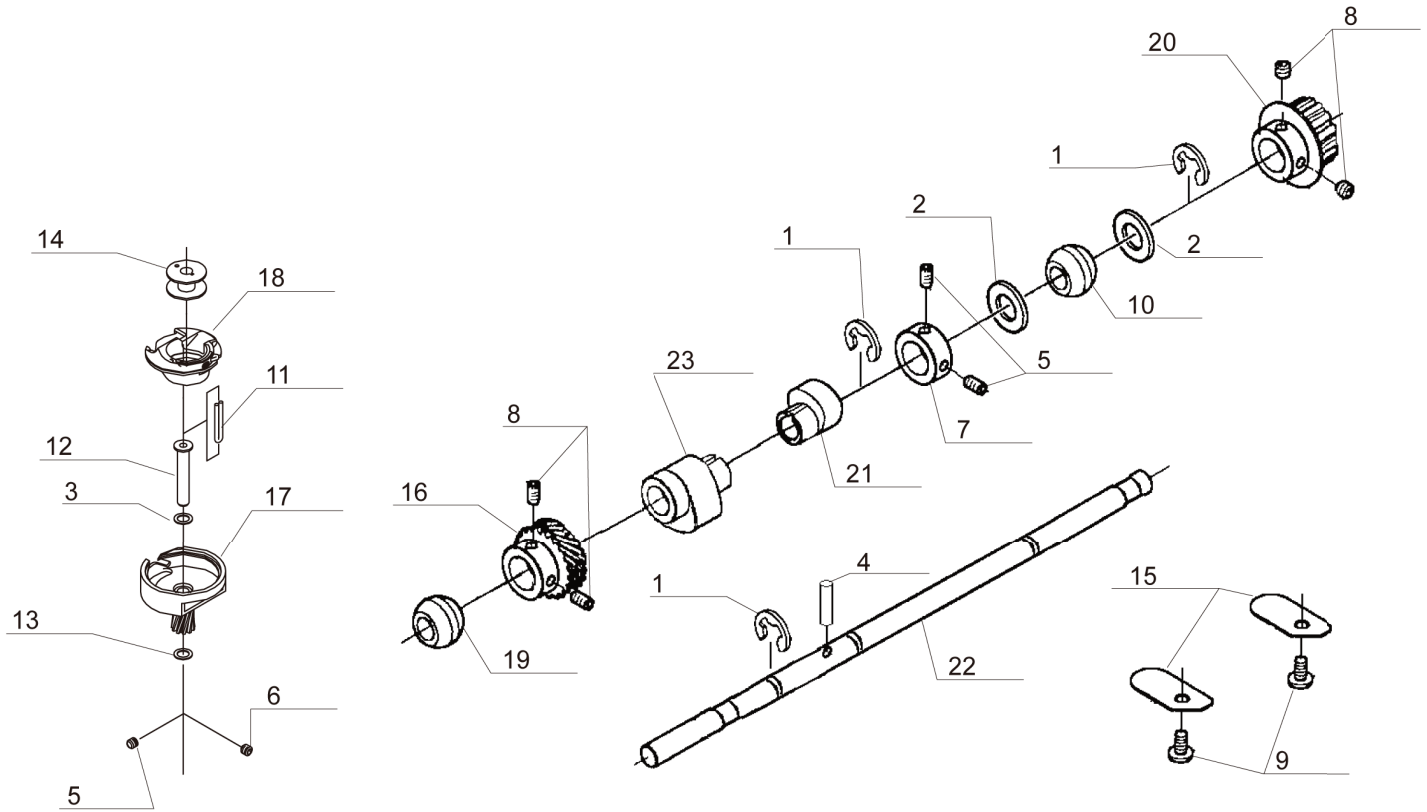
F



Pos	Part No.	Description
1	270 051051	THREAD GUIDE PLATE ASSY
2	270 051100	TENSION ASSY
3	270 062215	M4 NUT
4	270 072266	M4 STUD SCREW
5	270 077042	M4 PHILLIPS SCREW
6	270 087112	TENSION RELEASE LEVER
7	270 087212	M4 SCREW
8	270 087297	PRESSURE BAR LIFTER

F

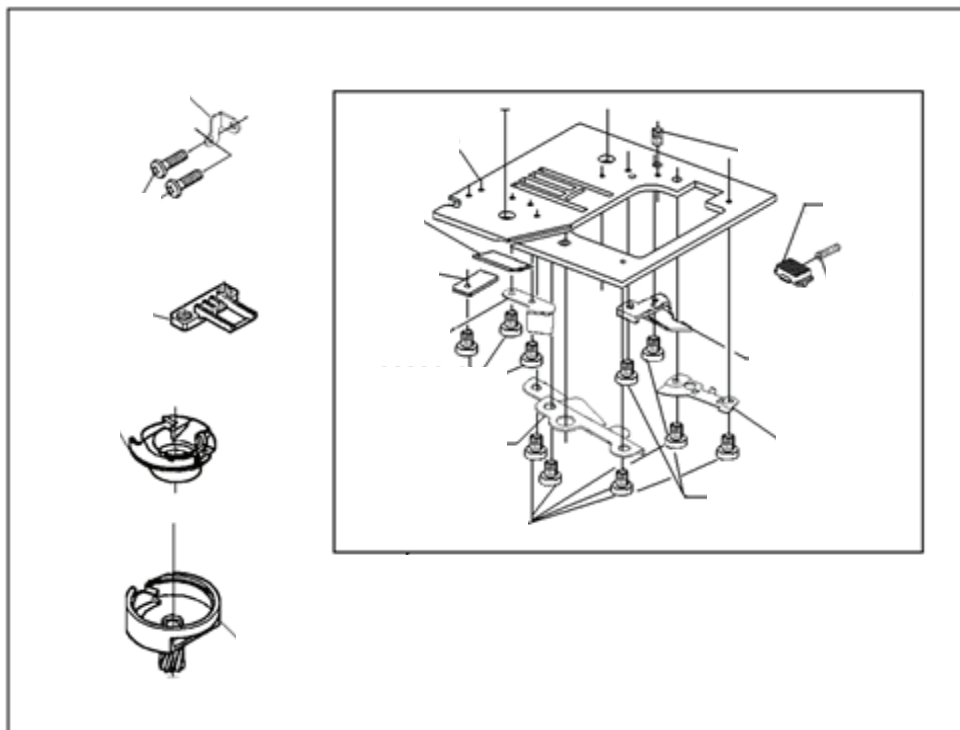
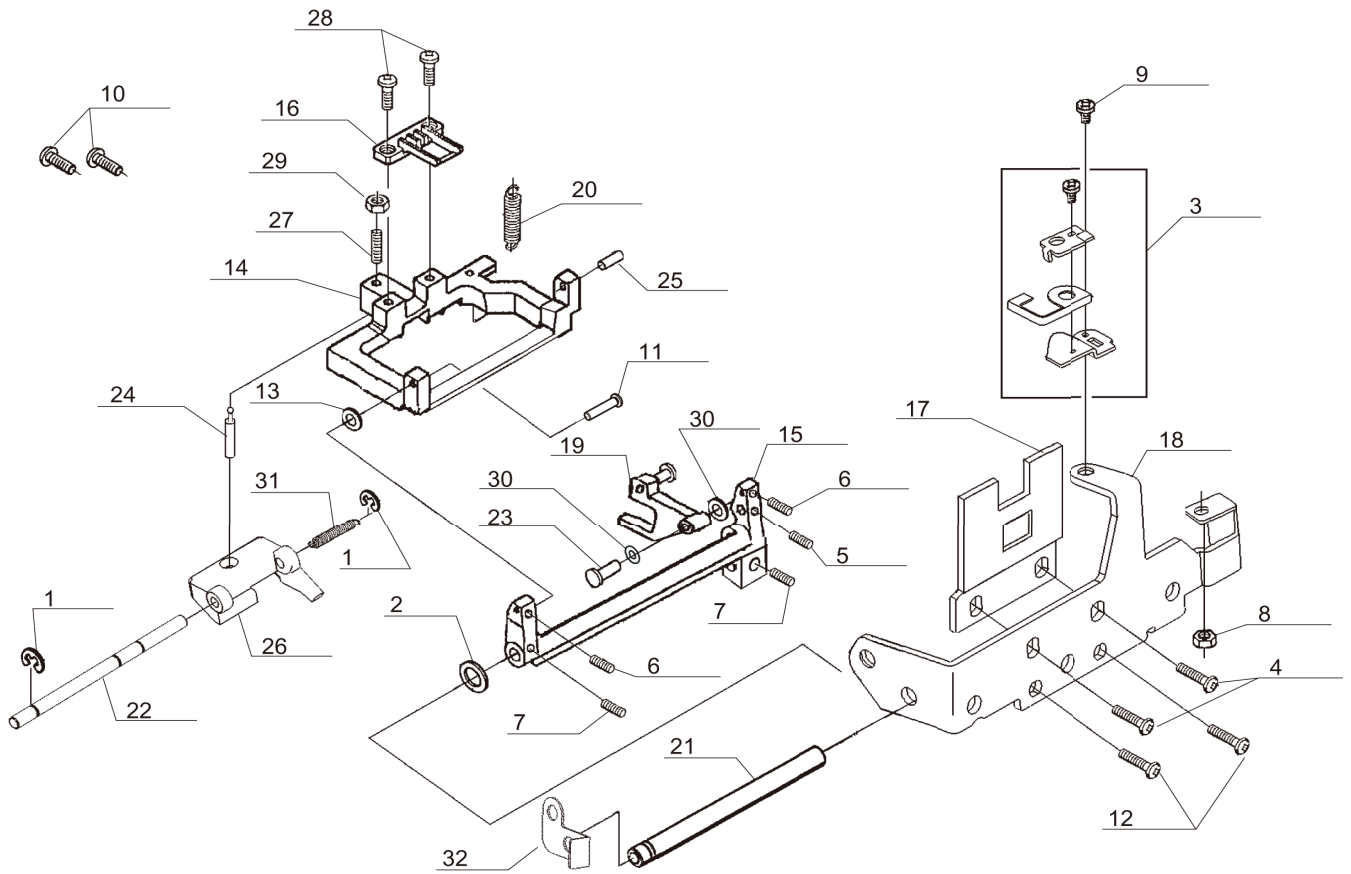
G



Pos	Part No.	Description
1	270 010963	E6 CLIP-ON-WASHER
2	270 043390	THRUST WASHER
3	270 043392	THRUST WASHER
4	270 064179	SPRING PIN
5	270 066725	M4 SCREW
6	270 066727	M4 SCREW
7	270 067444	COLLAR
8	270 067447	M5 SCREW
9	270 073434	M4 PHILIPS SCREW
10	270 076141	BALL METAL
11	270 076203	OILING CORD
12	270 080078	SHUTTLE RACE SHAFT
13	416514601	WASHER
14	270 085128	BOBBIN
15	270 085247	SECURING PLATE
16	416434001	BEVEL GEAR
17	416444301	SHUTTLE RACE Ø 40mm
18	68009436	BOBBIN CASE Ø 40mm
19	270 087170	BALL METAL
20	270 087171	TIMING BELT GEAR (LOWER)
21	270 087228	FEED CAM
22	270 088114	LOWER STRAIGHT SHAFT
23	270 088115	LIFTING CAM
24	416534301	COLLAR SET
45	68006071	Replacement shuttle race set (7463/7465/7467/7469) for hook of Ø 39,3mm Includ. Needle Plate Set, Shuttle race, Bobbin case, Feed dog.
45	68006066	Replacement shuttle race set (7470) for hook of Ø 39,3mm Includ. Needle Plate Set, Shuttle race, Bobbin case, Feed dog.

H1

7463

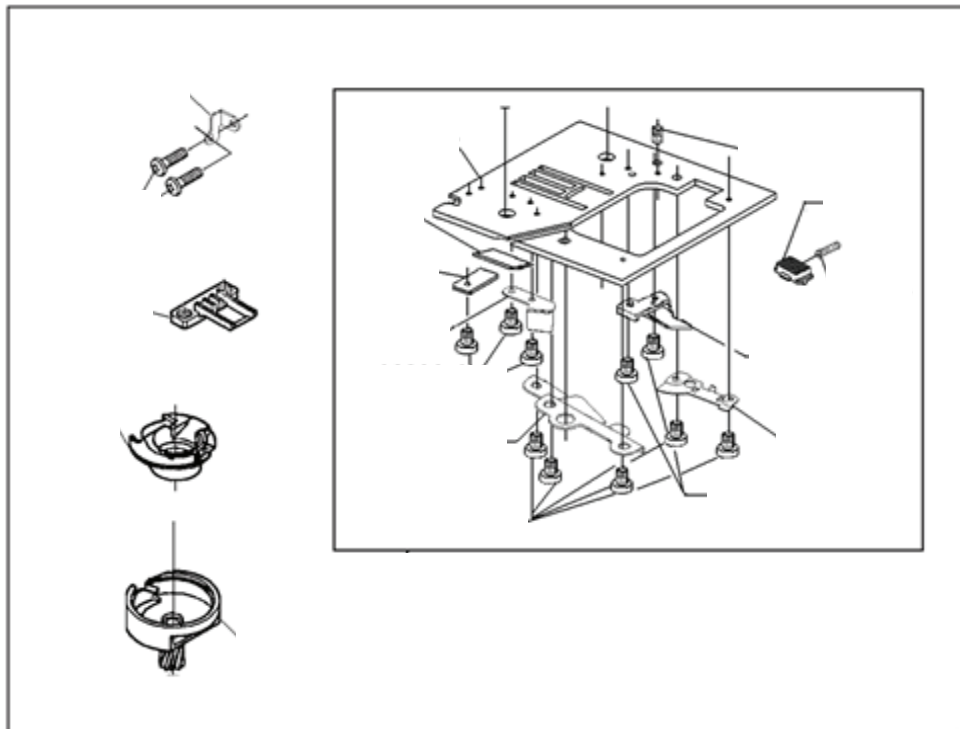
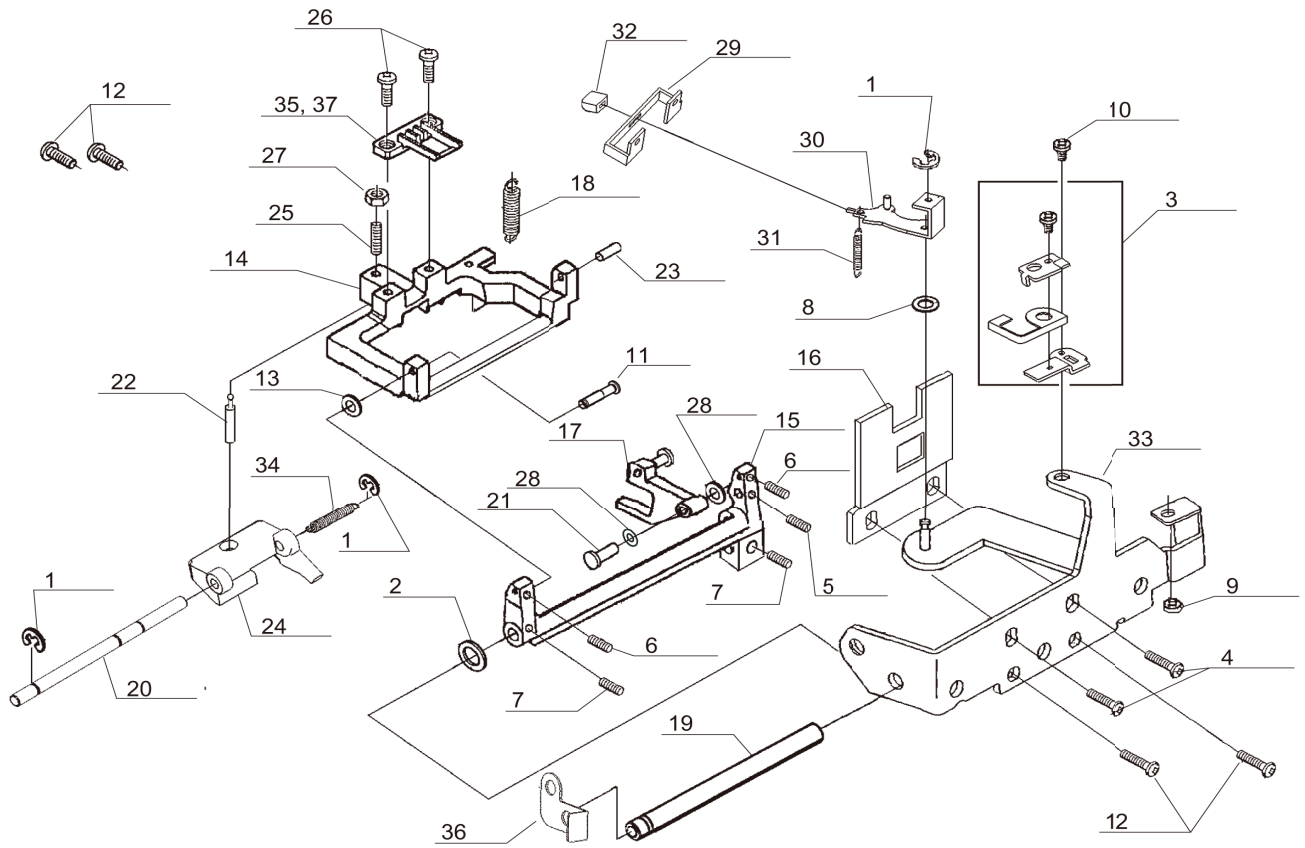


45

Pos	Part No.	Description
1	270 001520	E3 CLIP-ON-WASHER
2	270 032949	WASHER
3	270 051058	RETAINER SET
4	270 061221	M4 PHILIPS SCREW
5	270 061333	M4 SCREW
6	270 064653	M3 SCREW
7	270 066725	M4 SCREW
8	270 073299	M4 TORQUE NUT
9	270 073900	M3 PHILIPS SCREW
10	270 075274	M4 PHILIPS SCREW
11	270 076132	SHAFT
12	270 077042	M4 PHILIPS SCREW
13	270 063805	WASHER
14	270 087103	FEED DOG BASE
15	270 087104	FEED DOG BASE SUPPORT
16	416769401	FEED DOG for Hook of Ø 40mm
17	270 087122	SUPPORT PLATE
18	270 087145	SECURING BRACKET
19	270 087174	FORKED CRANK
20	270 087186	TORSION SPRING
21	270 087202	SHAFT
22	270 087203	SHAFT
23	270 087206	PIN
24	270 087208	BALL HEADED □ PIN
25	270 087210	PIN
26	270 087226	VERTICAL FEED BLOCK
27	270 087232	M6 STUD SCREW
28	270 072274	SCREW
29	270 087268	M6 NUT
30	270 087269	WASHER
31	270 087433	TORSION SPRING
32	416506801	SECURING PLATE
45	68006071	HORIZONTAL SHUTTLE RACE SET 7463, 7465, 7467, 7469

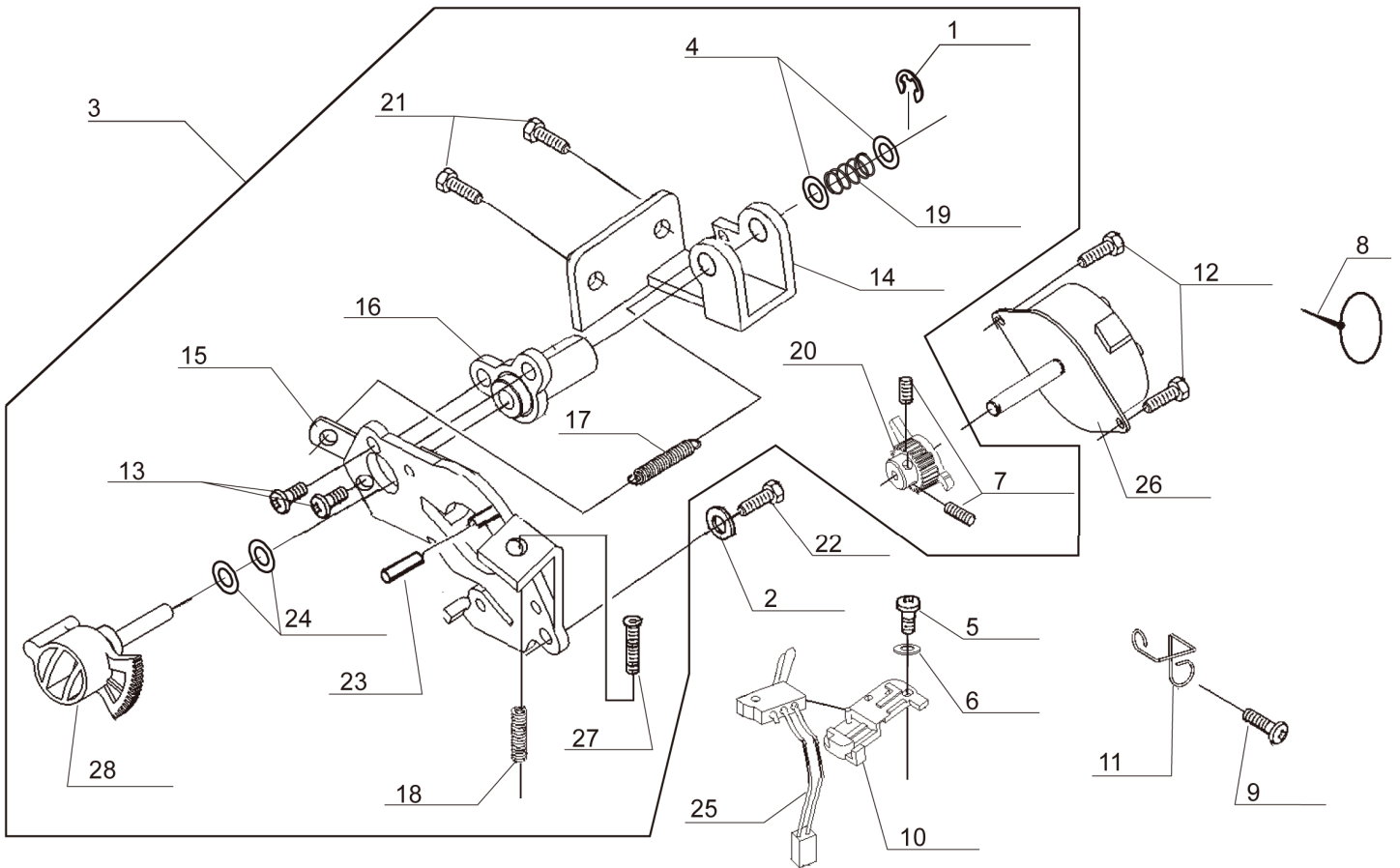
H2

7465, 7467, 7469, 7470



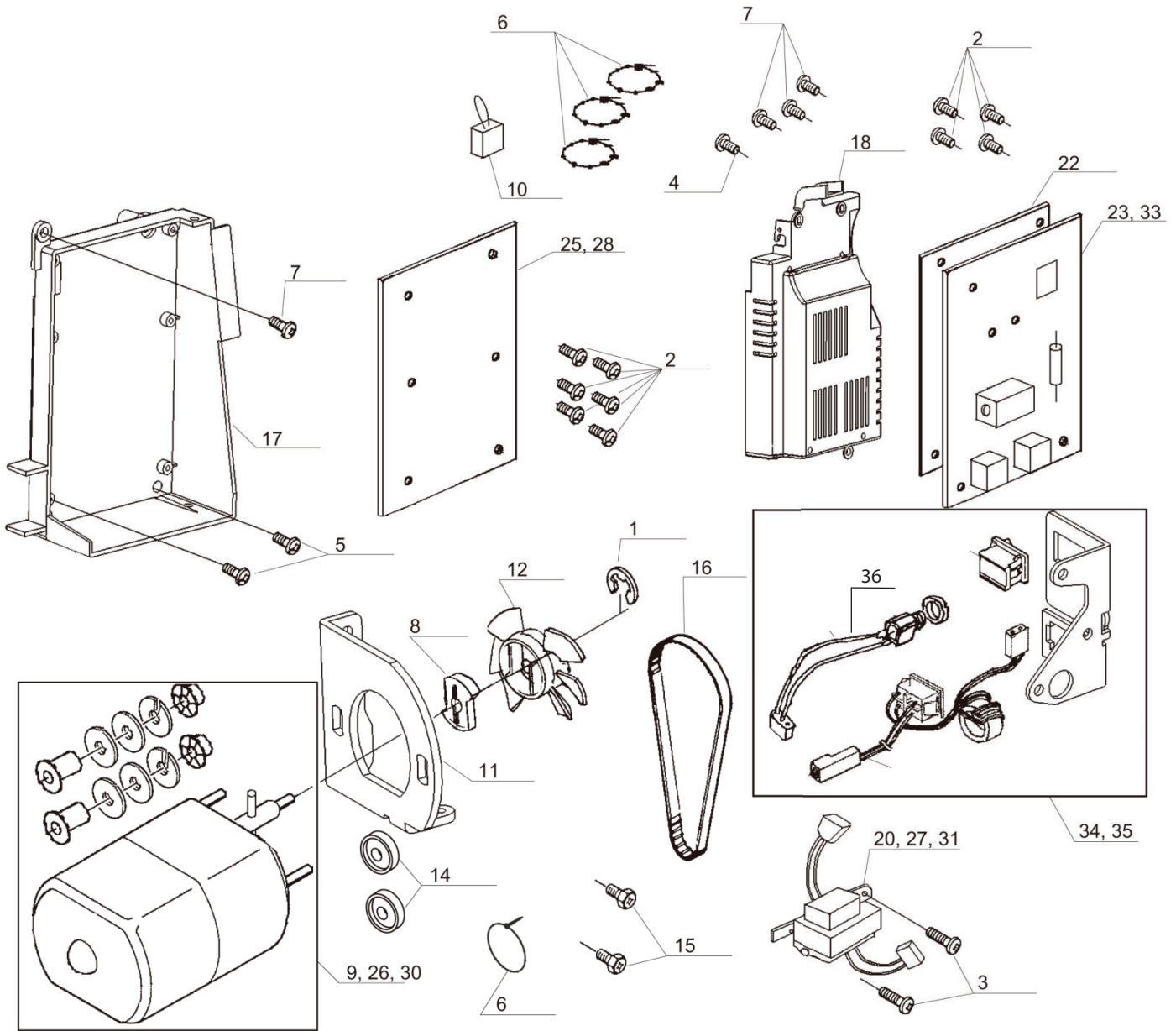
45

Pos	Part No.	Description
1	270 001520	E3 CLIP-ON-WASHER
2	270 032949	WASHER
3	270 051058	RETAINER SET
4	270 061221	M4 PHILIPS SCREW
5	270 061333	M4 SCREW
6	270 064653	M3 SCREW
7	270 066725	M4 SCREW
8	270 072858	WASHER
9	270 073299	M4 TORQUE NUT
10	270 073900	M3 PHILIPS SCREW
11	270 076132	SHAFT
12	270 077042	M4 PHILIPS SCREW
13	270 063805	WASHER
14	270 087103	FEED DOG BASE
15	270 087104	FEED DOG BASE SUPPORT
16	270 087122	SUPPORT PLATE
17	270 087174	FORKED CRANK
18	270 087186	TORSION SPRING
19	270 087202	SHAFT
20	270 087203	SHAFT
21	270 087206	PIN
22	270 087208	BALL HEADED □ PIN
23	270 087210	PIN
24	270 087226	VERTICAL FEED BLOCK
25	270 087232	M6 STUD SCREW
26	270 072274	M3 CP SCREW
27	270 087268	M6 NUT
28	270 087269	WASHER
29	270 087422	DROP GUIDE
30	270 087423	DROP LEVER
31	270 087424	TORSION SPRING
32	270 087425	DROP KNOB
33	270 087426	SECURING BRACKET
34	270 087433	TORSION SPRING
35	270 087105	FEED DOG Version 1 (7463, 7465, 7467, 7469) Ø 39,3mm
35	416769401	FEED DOG for Hook of Ø 40mm (7465, 7467, 7469)
36	416506801	SECURING PLATE
37	270 087669	FEED DOG Version 1 (7470) Ø 39,3mm
37	68009437	FEED DOG for hook Ø 40mm (7470)
45	68006071	HORIZONTAL SHUTTLE RACE SET 7463, 7465, 7467, 7469
45	68006066	HORIZONTAL SHUTTLE RACE SET 7470



Pos	Part No.	Description
1	415404201	E4 CLIP-ON-WASHER
2	270 031246	WASHER
3	270 051049	FEED REGULATOR UNIT
4	270 059221	WASHER
5	270 063796	M3 SCREW
6	270 063805	WASHER
7	270 064653	M3 SCREW
8	270 077041	UNITY FASTENER
9	270 077042	M4 PHILIPS SCREW
10	270 077527	SENSOR COVER
11	270 080079	CORD GUIDE
12	270 080110	M3 PHILLIPS SCREW
13	416442801	M3 PHILLIPS SCREW
14	270 087146	BRACKET
15	270 087148	STEPPING MOTOR BRACKET
16	270 087178	FEED REGULATOR SHAFT METAL BUSH
17	270 087188	EXTENSION SPRING
18	270 087189	COMPRESSION SPRING
19	270 087191	COMPRESSION SPRING
20	270 087253	PINION GEAR
21	416821901	CP BOLT
22	270 087262	M3 CP SCREW
23	270 087273	PIN
24	270 087274	WASHER
25	270 087516	SWITCH HARNESS
26	270 087600	STEPPING MOTOR
27	270 087668	M4 BOLT
28	68013614	FEED REGULATOR

J

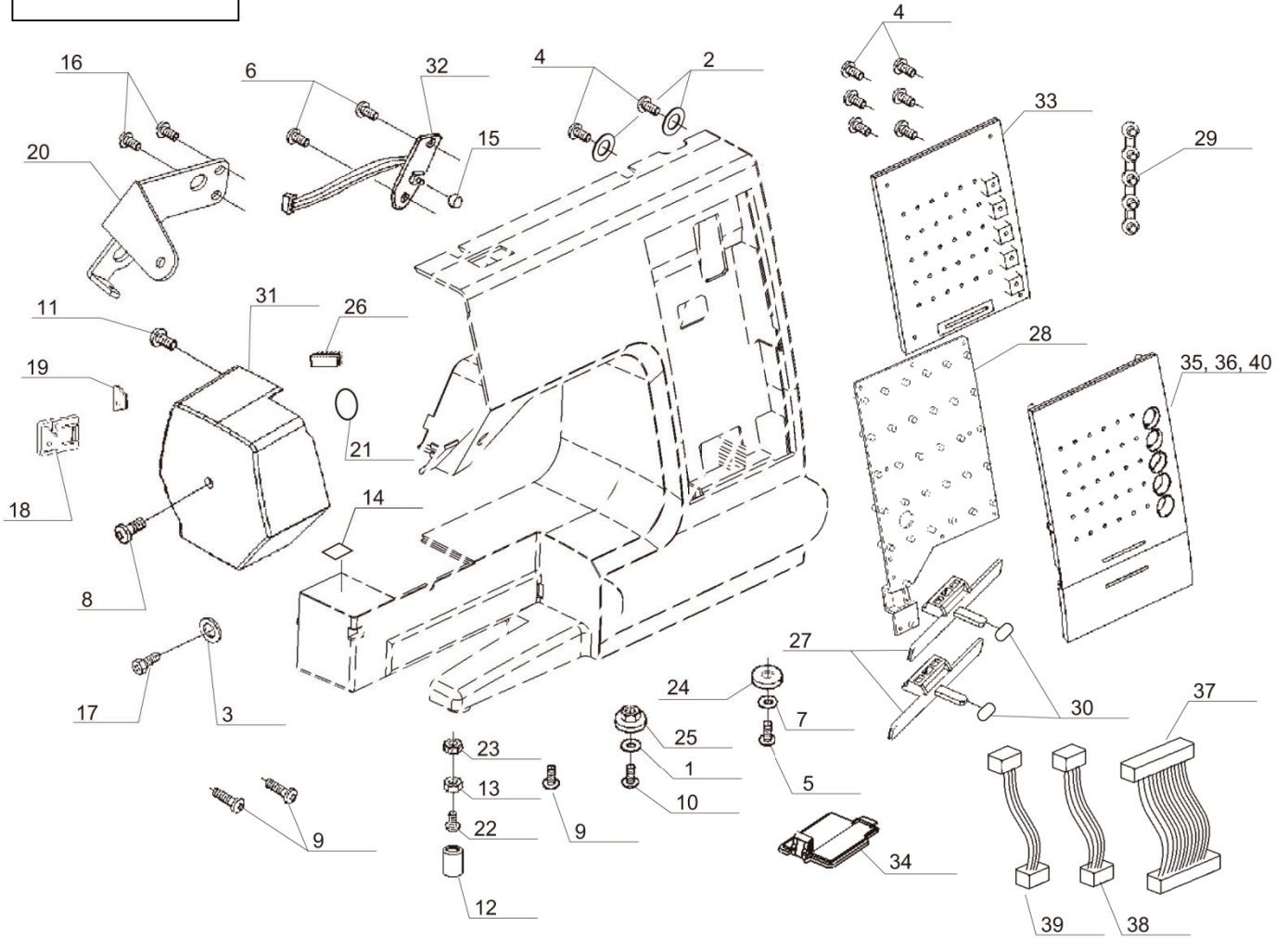


J

Pos	Part No.	Description
1	270 001520	E3 CLIP-ON-WASHER
2	270 039213	M3 SCREW
3	270 061222	M4 PHILIPS SCREW
4	270 061224	M4 PHILIPS SCREW
5	415405001	M4 PHILIPS SCREW
6	270 077041	UNITY FASTENER
7	270 077042	M4 PHILLIPS SCREW
8	270 077614	GEAR CLUTCH
9	68013170	MAIN MOTOR (230V)
10	68003789	JUMPER HARNESS
11	270 087126	MAIN MOTOR BRACKET
12	270 087237	MOTOR FAN
13	87249	SWITCH BRACKET (230V, 240V)
14	270 087257	BUSH (230V, 240V)
15	416821901	CP BOLT
16	270 087263	DRIVING BELT
17	270 087291	CPU CIRCUIT BOARD BOX
18	270 087316	AC CIRCUIT BOARD BOX
19	87513	PIN-JACK HARNESS
20	270 087519	TRANSFORMER (230V)
21	270 087541	SWITCH
22	270 087542	INSULATION SHEET
23	270 087553	CIRCUIT BOARD (230V, 240V)
24	87575	INLET HARNESS (230V, 240V)
25	68005976	CPU CIRCUIT BOARD (7463, 7465, 7467, 7469)
26	416556301	MAIN MOTOR (240V)
27	416507801	TRANSFORMER (240V)
28	416556401	CPU CIRCUIT BOARD (7470)
29	80076	SWITCH BRACKET (120V)
30	68004629	MAIN MOTOR (120V)
31	270 087514	TRANSFORMER (120V)
32	87536	INLET HARNESS (120V)
33	270 087530	CIRCUIT BOARD (120V)
34	68002984	POWER SWITCH CORD ASSY (120V)
35	68003043	POWER SWITCH CORD ASSY (230V, 240V)
36	68005905	PIN-JACK HARNESS
37	68013694	BUSH (120V, 240V)

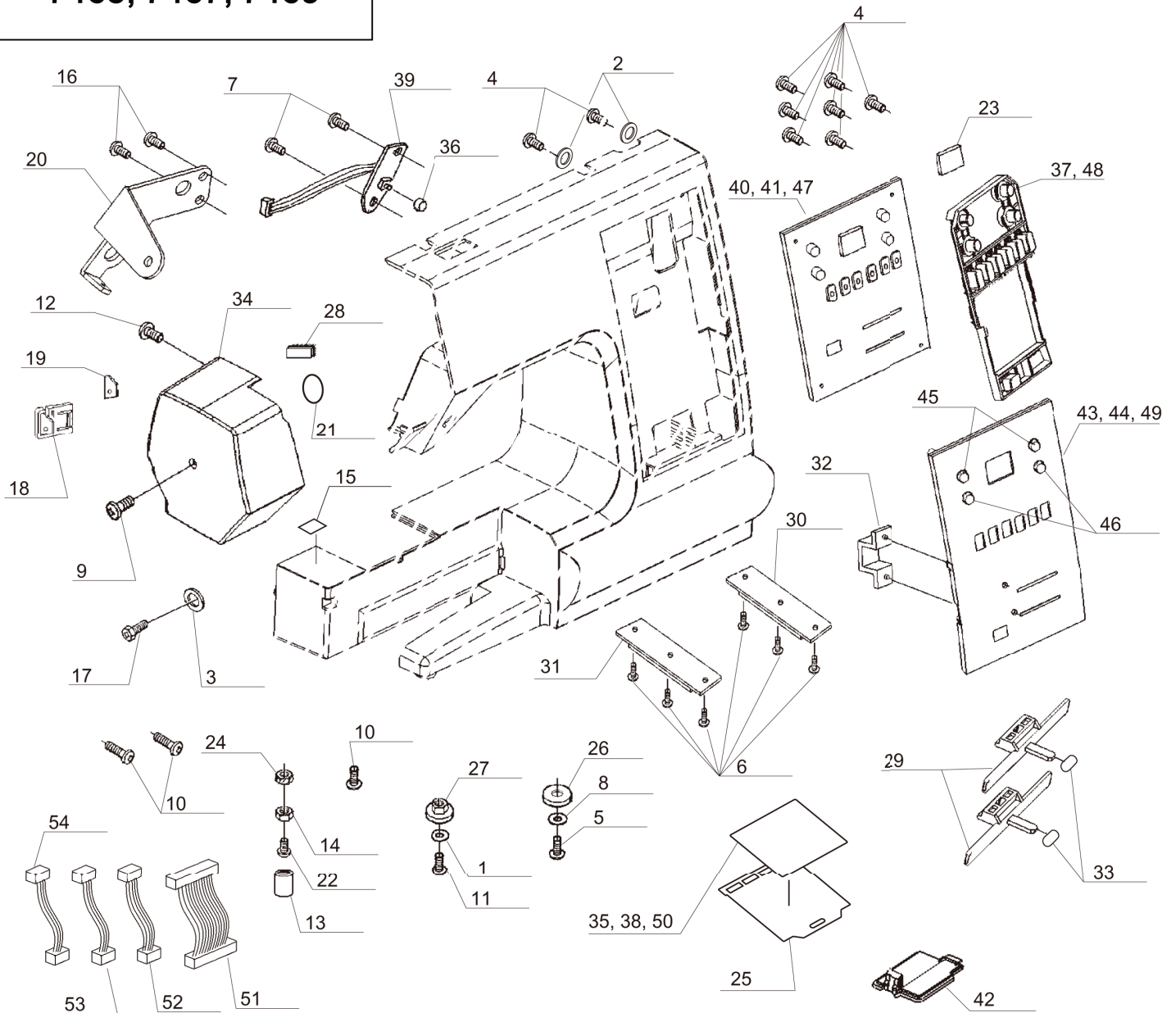
K1

7463



Pos	Part No.	Description
1	270 002744	WASHER
2	415388001	WASHER
3	270 031246	WASHER
4	270 039213	M3 SCREW
5	270 044261	M4 SCREW
6	270 058024	TAPPING SCREW
7	270 059221	WASHER
8	270 061222	M4 PHILLIPS SCREW
9	270 061224	M4 PHILLIPS SCREW
10	270 064617	TAPPING SCREW
11	270 065736	M4 PHILLIPS SCREW
12	416509201	RUBBER CUSHION
13	270 073299	M4 TORQUE NUT
14	270 076511	STICKER
15	270 076588	BUTTON
16	270 077042	M4 PHILLIPS SCREW
17	270 077044	M3 PHILLIPS SCREW
18	270 077395	BLADE FIXTURE
19	270 077396	BLADE
20	270 080112	FACE COVER BRACKET
21	416458601	STICKER
22	270 086038	STUD SCREW
23	270 087218	NUT
24	416509301	RUBBER FOOT
25	270 087271	RUBBER FOOT
26	270 087272	BRUSH
27	270 087293	SLIDE LEVER
28	270 087306	LED PANEL
29	68013735	BUTTON
30	270 087404	KNOB
31	270 087451	FACE COVER
32	270 087511	SWITCH HARNESS
33	270 087526	SWITCH CIRCUIT BOARD
34	270 088103	COVER
35	416492701	CONTROL PANEL (7463)
36	416556801	CONTROL PANEL (Ex160)
37	270 087522	13P CORD HARNESS
38	270 087523	4P CORD HARNESS
39	270 087524	5P CORD HARNESS
40	68013737	CONTROL PANEL (7363)

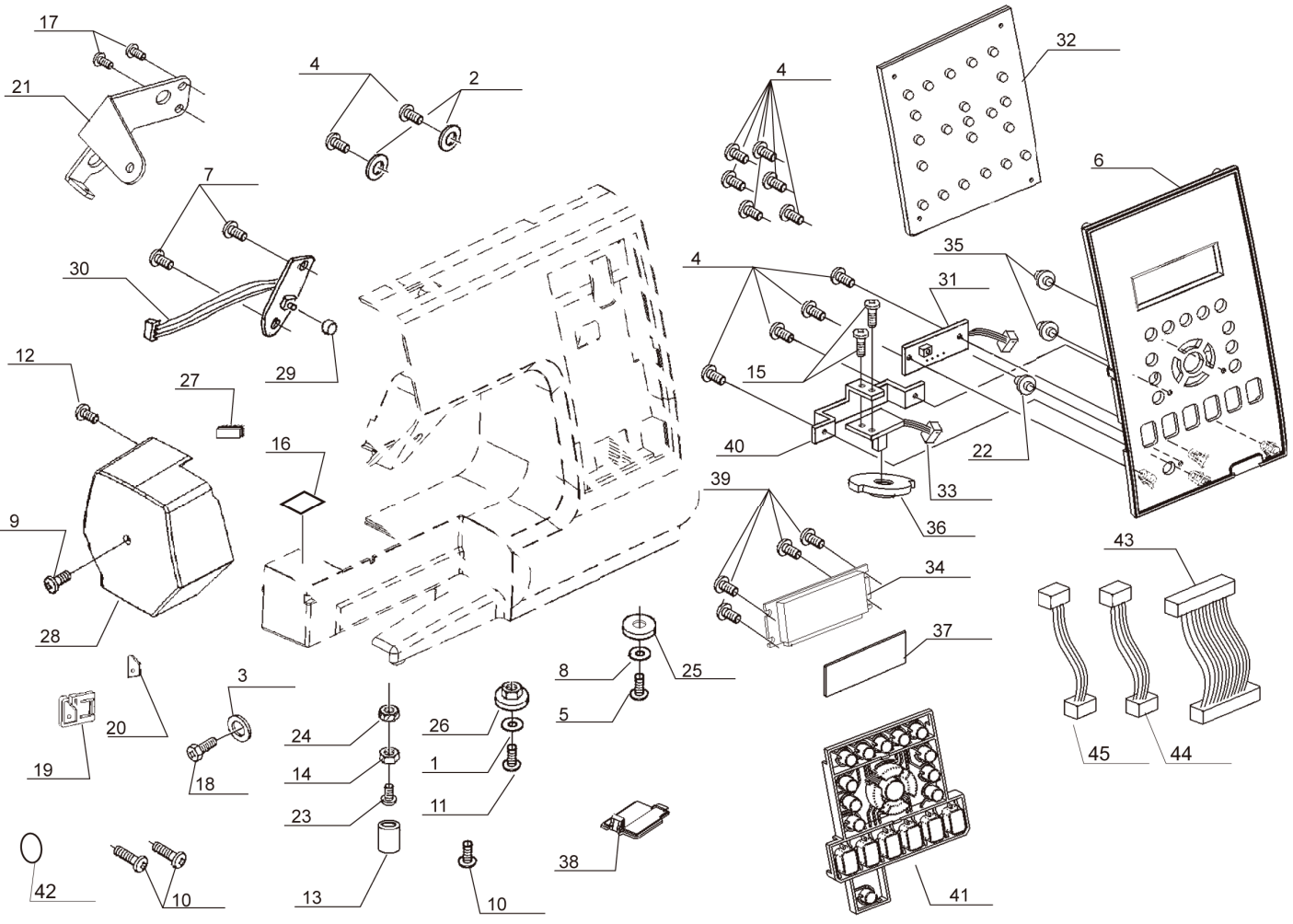
7465, 7467, 7469



Pos	Part No.	Description
11	270 002744	WASHER
2	415388001	WASHER
3	270 031246	WASHER
4	270 039213	M3 SCREW
5	270 044261	M4 SCREW
6	270 055894	M3 SCREW
7	270 058024	TAPPING SCREW
8	270 059221	WASHER
9	270 061222	M4 PHILLIPS SCREW
10	270 061224	M4 PHILLIPS SCREW
11	270 064617	TAPPING SCREW
12	270 065736	M4 PHILLIPS SCREW
13	416509201	RUBBER CUSHION
14	270 073299	M4 TORQUE NUT
15	270 076511	STICKER
16	270 077042	M4 PHILLIPS SCREW
17	270 077044	M3 PHILLIPS SCREW
18	270 077395	BLADE FIXTURE
19	270 077396	BLADE
20	270 080112	FACE COVER BRACKET
21	416458601	STICKER
22	270 086038	STUD SCREW
23	270 086902	INDICATOR WINDOW
24	270 087218	NUT
25	270 087239	PATTERN DRAWER
26	416509301	RUBBER FOOT
27	270 087271	RUBBER FOOT
28	270 087272	BRUSH
29	270 087293	SLIDE LEVER
30	270 087323	DRAWER BRACKET (RIGHT)
31	270 087324	DRAWER BRACKET (LEFT)
32	270 087402	LED PANEL
33	270 087404	KNOB
34	270 087451	FACE COVER
35	270 087459	PATTERN SEAL (7465)
36	270 087461	BUTTON
37	270 087463	PATTERN SWITCH (7465, 7467, 7467S)
38	270 087464	PATTERN SEAL (7467, 7467S)
39	270 087511	SWITCH HARNESS
40	270 087533	SWITCH CIRCUIT BOARD (7465)
41	270 087547	SWITCH CIRCUIT BOARD (7467, 7467S)
42	270 088103	COVER
43	270 088148	CONTROL PANEL (7467, 7467S)
44	416560501	CONTROL PANEL (7465)
45	270 088170	BUTTON
46	270 088171	BUTTON
47	270 087548	SWITCH CIRCUIT BOARD (7469, 7469Q)
48	270 087471	PATTERN SWITCH (7469, 7469Q)
49	270 088164	CONTROL PANEL (7469, 7469Q)
50	270 087472	PATTERN SEAL (7469, 7469Q)
51	270 087522	13P CORD HARNESS
52	270 087523	4P CORD HARNESS
53	270 087524	5P CORD HARNESS
54	270 087529	4P CORD HARNESS

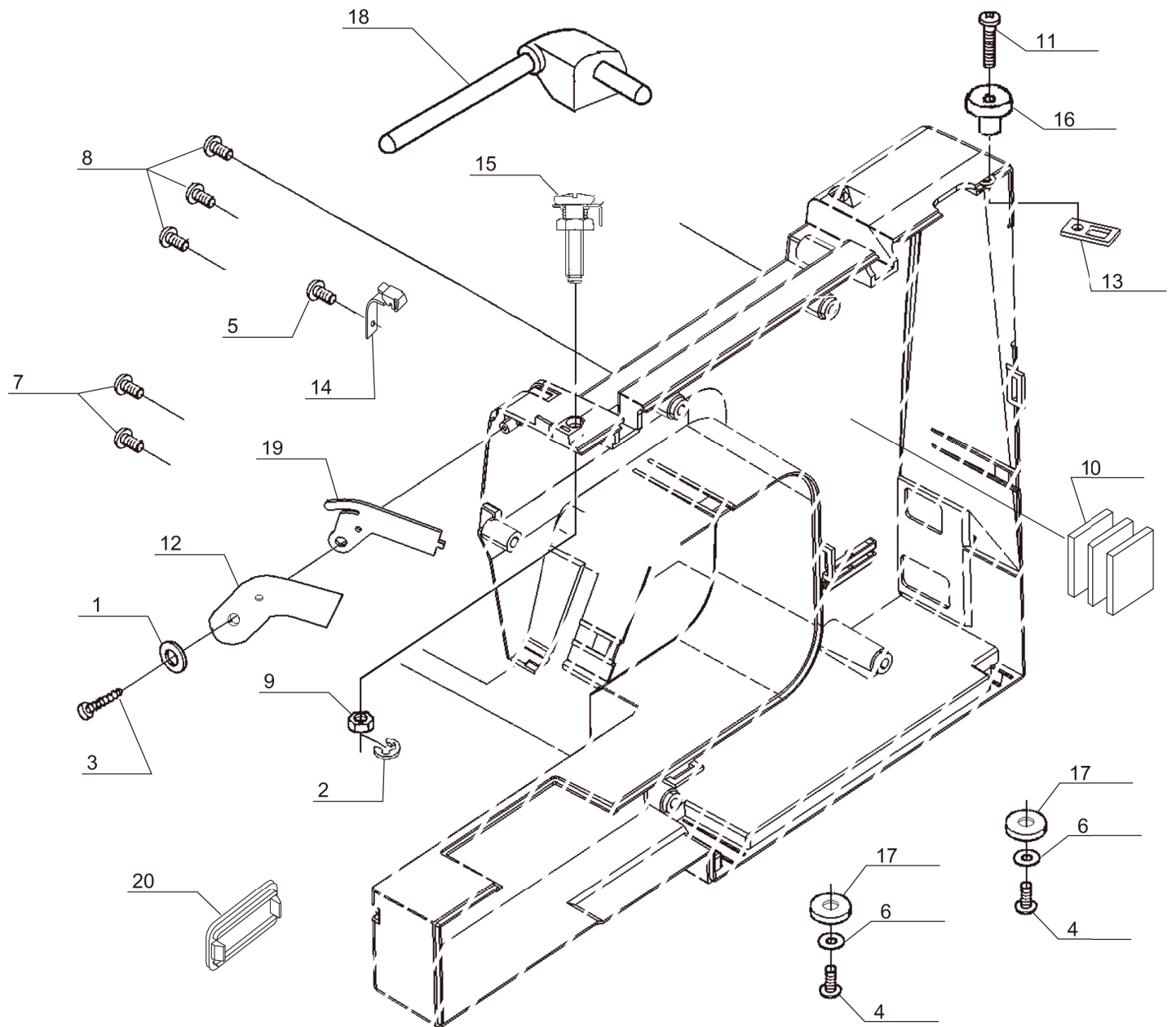
K3

7470



Pos	Part No.	Description
1	270 002744	WASHER
2	415388001	WASHER
3	270 031246	WASHER
4	270 039213	M3 SCREW
5	270 044261	M4 SCREW
6	□416557201	CONTROL PANEL
7	270 058024	TAPPING SCREW
8	270 059221	WASHER
9	270 061222	M4 PHILIPS SCREW
10	270 061224	M4 PHILIPS SCREW
11	270 064617	TAPPING SCREW
12	270 065736	M4 PHILIPS SCREW
13	416509201	RUBBER CUSHION
14	270 073299	M4 TORQUE NUT
15	270 073900	M3 PHILIPS SCREW
16	270 076511	STICKER
17	270 077042	M4 PHILIPS SCREW
18	270 077044	M3 PHILIPS SCREW
19	270 077395	BLADE FIXTURE
20	270 077396	BLADE
21	270 080112	FACE COVER BRACKET
22	270 083044	LED PANEL
23	270 086038	STUD SCREW
24	270 087218	NUT
25	416509301	RUBBER FOOT
26	270 087271	RUBBER FOOT
27	270 087272	BRUSH
28	270 087451	FACE COVER
29	270 087461	BUTTON
30	270 087511	SWITCH HARNESS
31	270 087613	NDL STOP OPSITION SW HARNESS
32	270 087615	SWITCH CIRCUIT BOARD
33	270 087617	LCD CONTRAST VOLUME HARNESS
34	270 087628	LCD UNIT
35	270 087672	LED PANEL
36	270 087675	CONTRAST KNOB
37	270 087699	PROTECTOR FOR LED
38	270 088103	COVER
39	270 088106	TAPPING SCREW
40	270 088153	BRACKET
41	416557301	PATTERN SWITCH
42	416458601	STICKER
43	270 087522	13P CORD HARNESS
44	270 087524	5P CORD HARNESS
45	270 087614	CORD HARNESS

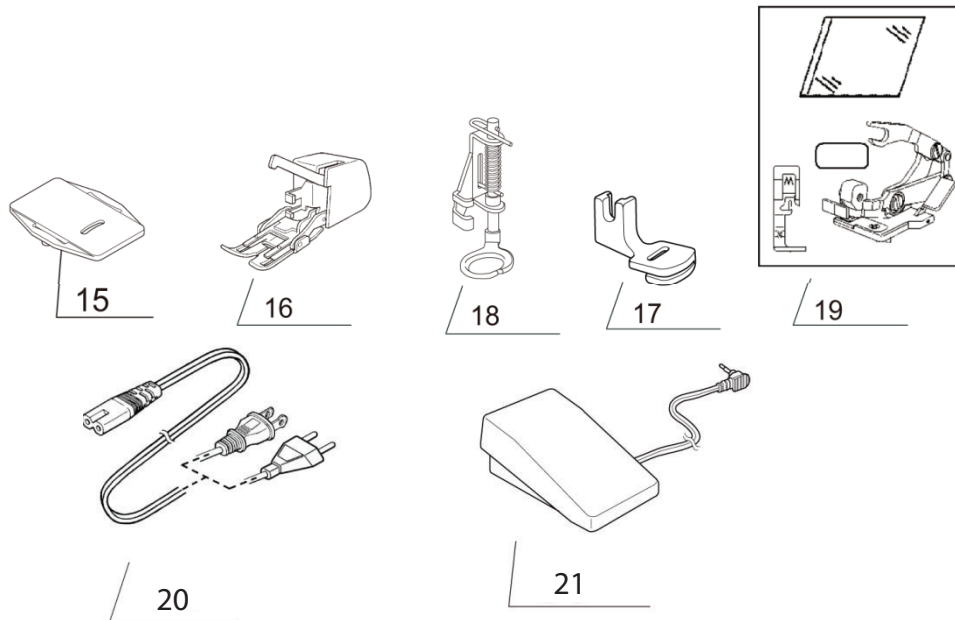
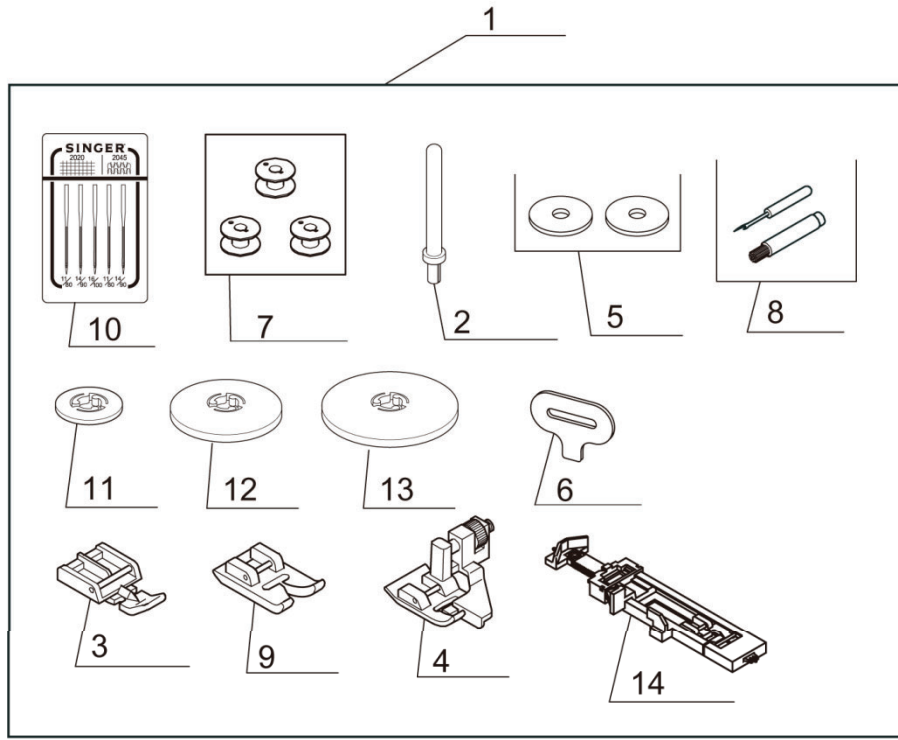
L



Pos	Part No.	Description
1	270 004844	WASHER
2	270 027925	E2.5 CLIP-ON-WASHER
3	270 039213	M3 SCREW
4	270 044261	M4 SCREW
5	270 055894	TAPPING SCREW
6	270 059221	WASHER
7	270 061224	M4 PHILLIPS SCREW
8	270 064484	TAPPING SCREW
9	270 073299	M4 TORQUE NUT
10	270 076274	SPACER
11	270 077035	M4 PHILLIPS SCREW
12	270 077528	SPRING PLATE
13	270 087130	RETAINER
14	270 087142	RETAINER
15	270 087250	M4 SPECIAL SCREW UNIT
16	270 087251	BOBBIN WINDER CAM
17	416509301	RUBBER FOOT
18	416509901	SPOOL PIN UNIT
19	68013740	TENSION PLATE
20	270 087483	COVER (7463)

L

M



Pos	Part No.	Description
1	270 051053	ACC. SET
2	68004083	SPOOL PIN
3	416437001	ZIPPER FOOT
4	416437101	BLIND STITCH FOOT
5	68004084	SPOOL PIN DISC
6	68004086	LARGE SCREW DRIVER
7	270 085128	BOBBIN
8	416436401	BUTTONHOLE OPENER / BRUSH
9	68013653	SATIN FOOT
10	87277	NEEDLE SET
11	270 087287	SPOOL PIN CAP (MINI)
12	270 087289	SPOOL PIN CAP (SMALL)
13	270 087290	SPOOL PIN CAP (LARGE)
14	416465601	BUTTONHOLE FOOT
15	270 087294	DARNING PLATE (7463)
16	270 077087	EVEN FEED FOOT (7467S)
17	270 086626	GATHERING FOOT (7467S)
18	270 077079	DARNING & EMBROIDERY FOOT (7467S)
19	270 085670	SUPER ROUND LOCK CUTTER (7467S)
20	416464901	POWER CORD (120V)
20	412157801	POWER CORD (230V)
21	416436101	FOOT CONTROL (PIN-JACK TYPE)
	416538801	DUST COVER