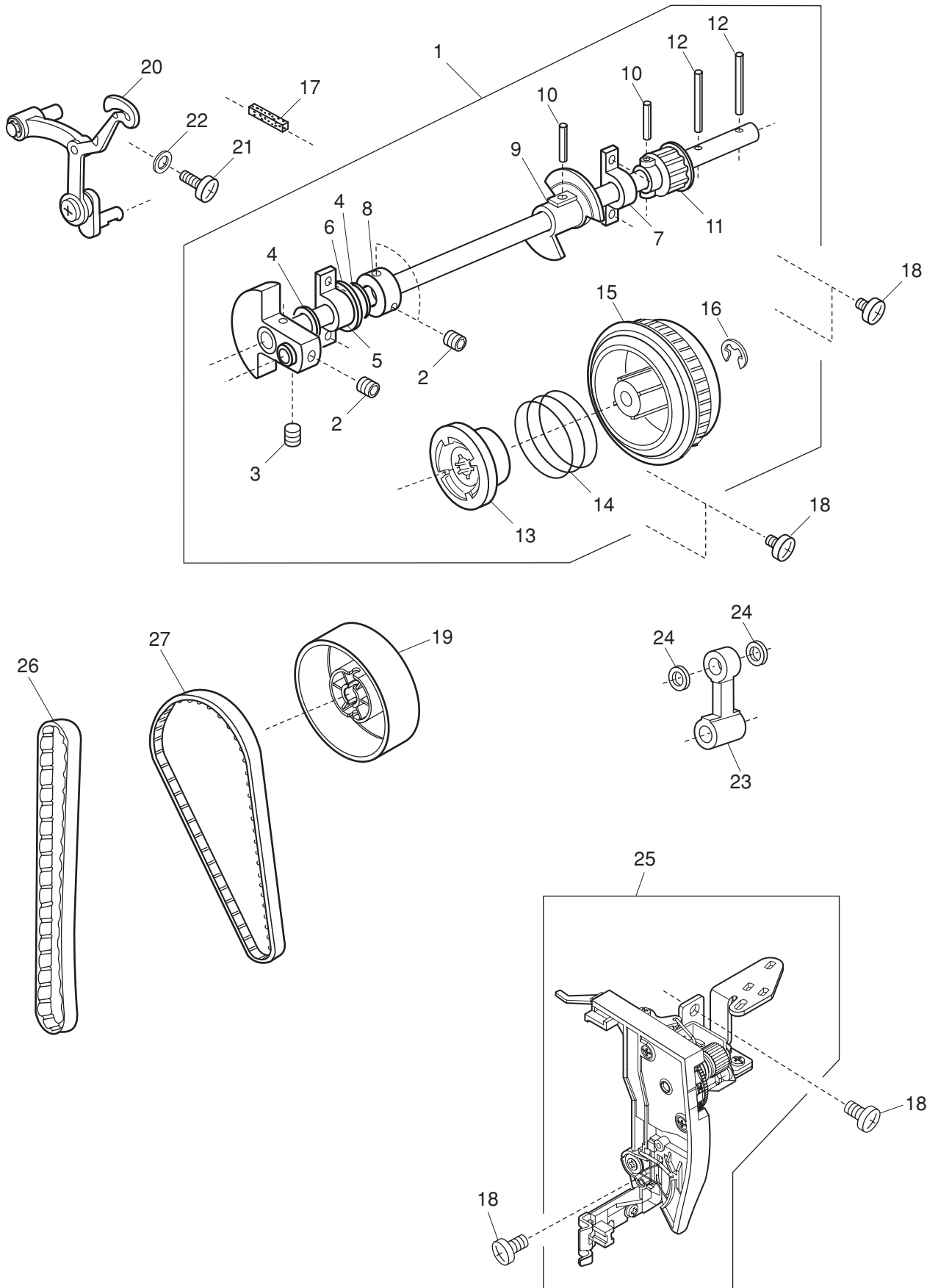


# **PARTS LIST**

**MODEL: Sewist 740DC**

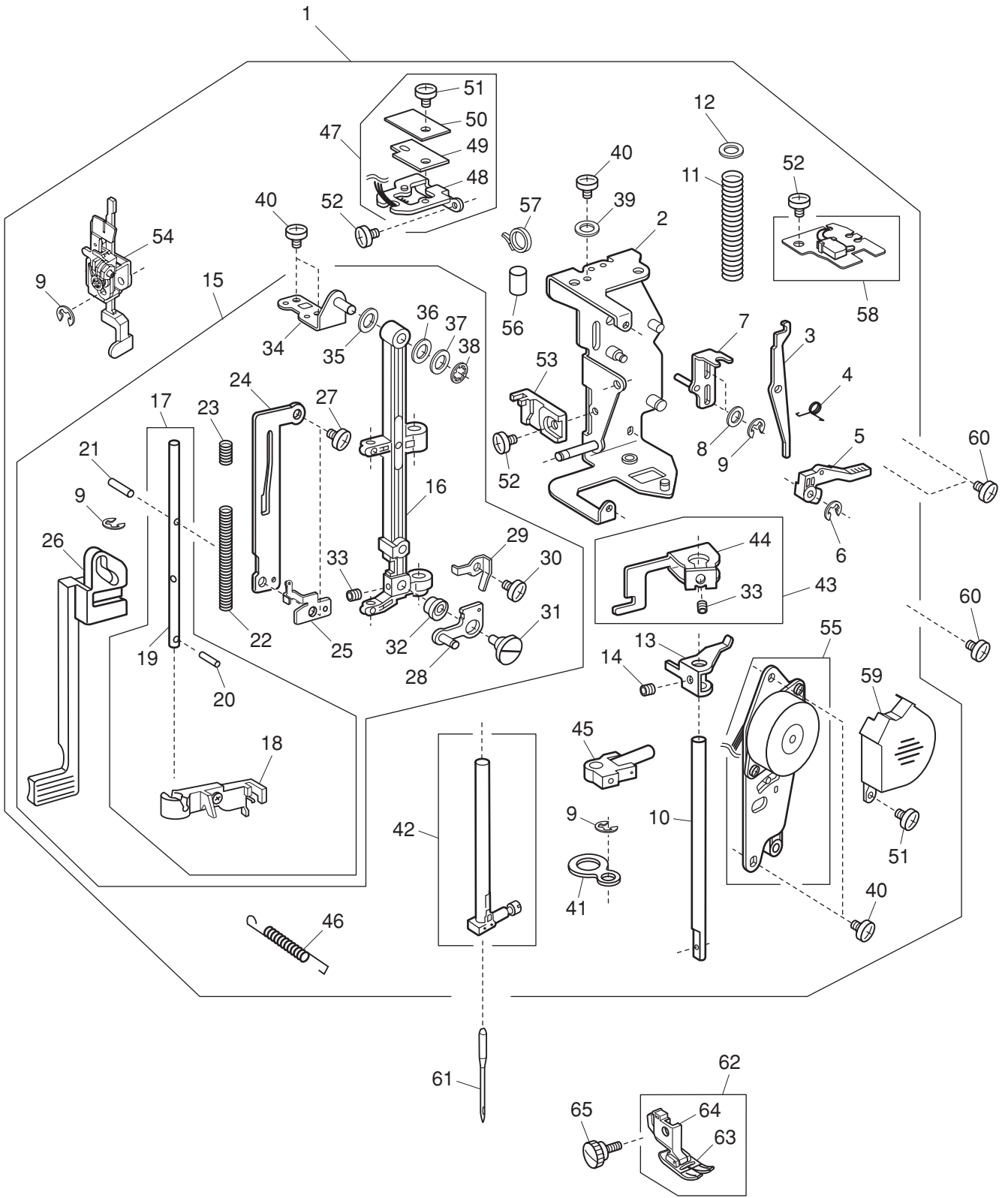
# PARTS LIST



## PARTS LIST

KEY NO.	PARTS NO.	DESCRIPTION
1	808601005	Upper shaft (unit)
2	000111201	Hexagonal socket screw 4x4
3	000112800	Hexagonal socket screw 4x6
4	000036201	Washer FT80
5	508120006	Shaft fixing metal
6	823110009	Felt
7	508054101	Shaft fixing metal
8	820166001	Lower shaft ring
9	808003001	Upper shaft shielding plate
10	000004200	Spring pin 3x18
11	508021006	Upper shaft gear
12	000024206	Spring pin 3x30
13	502064003	Clutch ring
14	661024007	Clutch spring
15	508055009	Belt wheel
16	000002806	Snap ring E-6
17	650040005	Felt
18	000081005	Setscrew 4x8
19	809100002	Handwheel
20	808648004	Thread take-up lever (unit)
21	000103509	Setscrew 4x10
22	000072302	Washer 4
23	808005003	Needle bar crank rod
24	000036005	Washer FT60
25	814505007	Thread tension (unit)
26	808037004	Syncro belt S5M
27	808021005	Timing belt 120

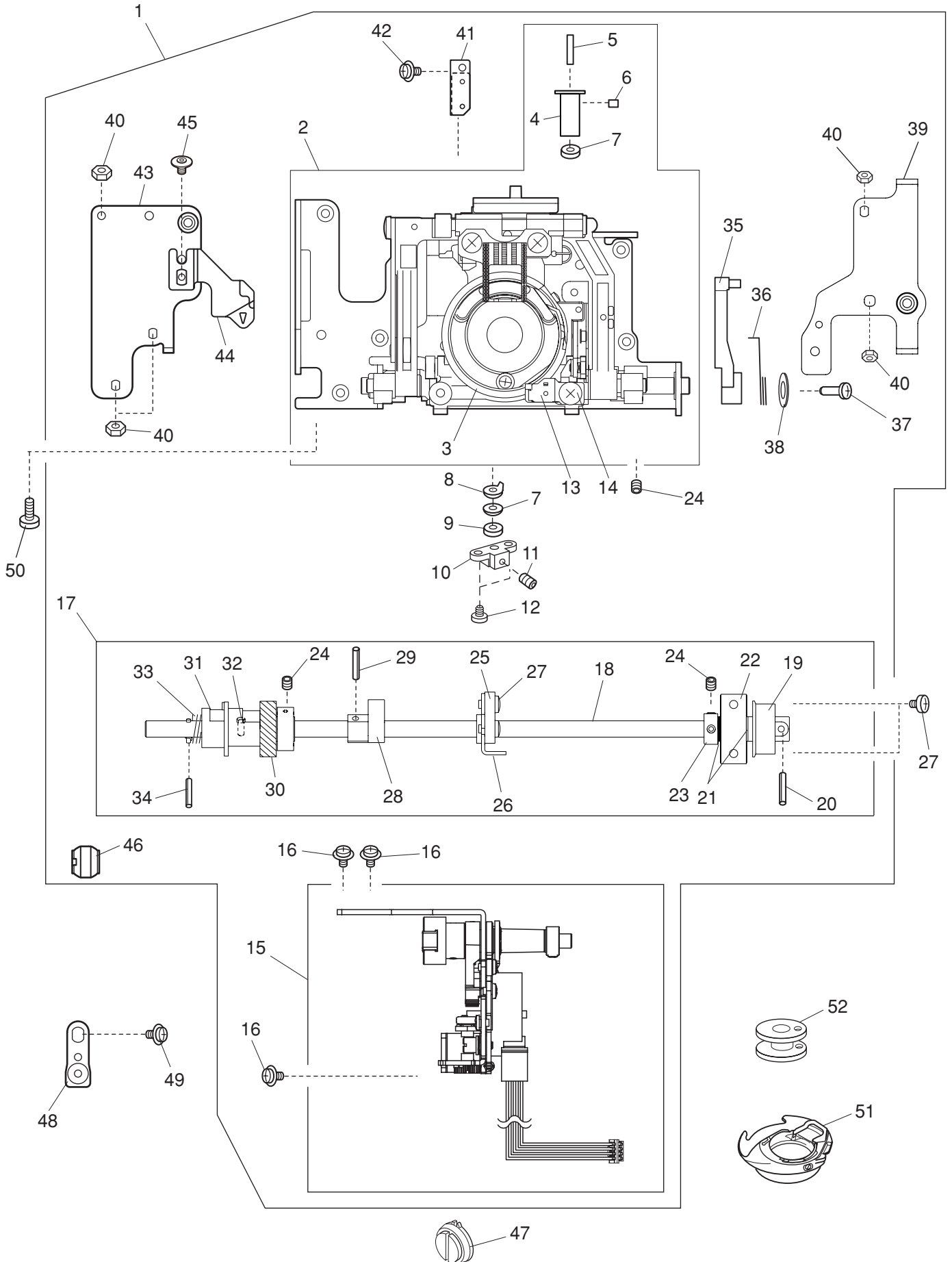
# PARTS LIST



# PARTS LIST

KEY NO.	PARTS NO.	DESCRIPTION
1	809614196	Presser bar base plate (unit)
2	808006406	Presser bar base plate
3	808007005	Thread tension release lever
4	503041007	Thread tension release spring
5	502024001	Presser foot lifter
6	000001609	Snap ring E-5
7	809128006	Presser bar spring adjusting plate
8	000072508	Washer 4
9	000002105	Snap ring E-3
10	827021107	Presser bar
11	830030006	Presser bar spring
12	826055004	Washer
13	502026003	Presser bar supporter
14	000111500	Hexagonal socket screw 4x8
15	809615016	Needle bar supporter (unit)
16	809129007	Needle bar supporter
17	842637028	Threader shaft (unit)
18	846588014	Threader plate (unit)
19	840036025	Threader shaft
20	000003508	Spring pin 2x8
21	000125105	Guide pin E-2x16-CH
22	842090001	Threader shaft spring
23	842096007	Threader lever spring
24	842091002	Threader guide plate
25	844036027	Threader lever plate
26	842092003	Threader lever
27	000078319	Setscrew 3x6
28	808015006	Zigzag width rod
29	827088009	Zigzag width rod spring
30	820373003	Setscrew 2x3
31	678084007	Eccentric pin
32	808074003	Washer
33	000111902	Hexagonal socket screw 3x4
34	808009007	Supporter adjusting plate
35	000036500	Washer FT60
36	673022002	Spring washer
37	000070609	Washer 6
38	000013903	Snap ring CS-5
39	000072003	Washer 5
40	000101404	Setscrew 4x6
41	808010001	Supporter guide plate
42	751564006	Needle bar (unit)
43	807607008	Threader position set plate (unit)
44	807018006	Threader position set plate
45	809509005	Needle bar connecting stud (unit)
46	844038018	Needle bar supporter spring
47	808606206	Buttonhole sensor (unit)
48	845002005	Sensor set plate
49	843502808	Printed circuit board E1 (unit)
50	845029008	Insulation paper
51	000101105	Setscrew 3x4
52	000103808	Setscrew 3x5
53	830057021	Buttonhole lever guide
54	808673008	Buttonhole lever (unit)
55	808605803	Zigzag width motor (unit)
56	809046009	Tube
57	000053008	Cord binder
58	808611101	Presser foot lift switch (unit)
59	809019014	Motor cover
60	000081005	Setscrew 4x8
61	102408089	Needle
62	660509008	Presser foot (unit)
63	832523007	Zigzag foot
64	660806008	Presser foot holder
65	660106001	Setscrew

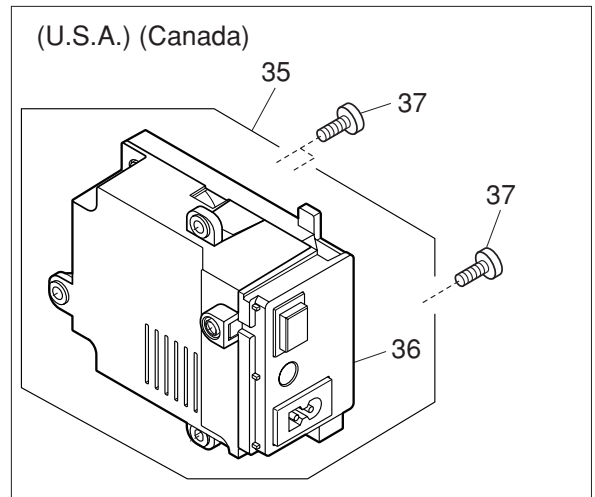
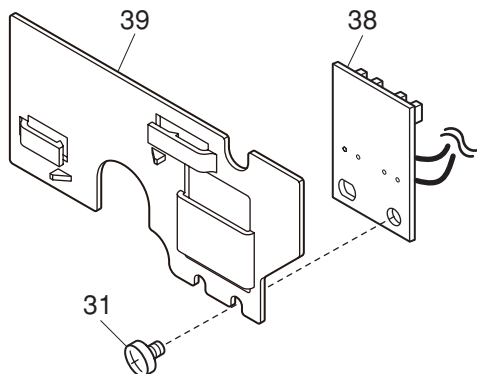
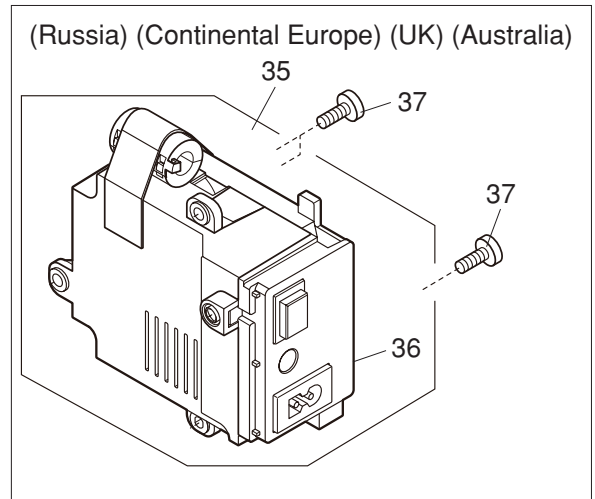
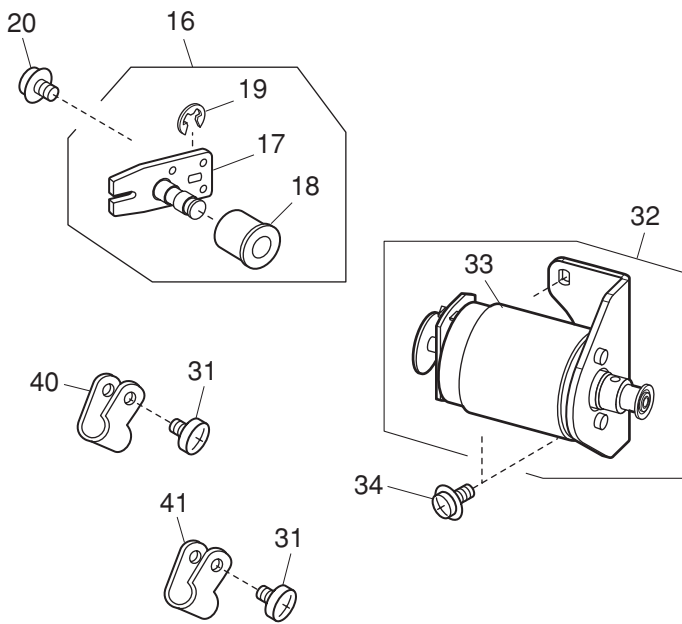
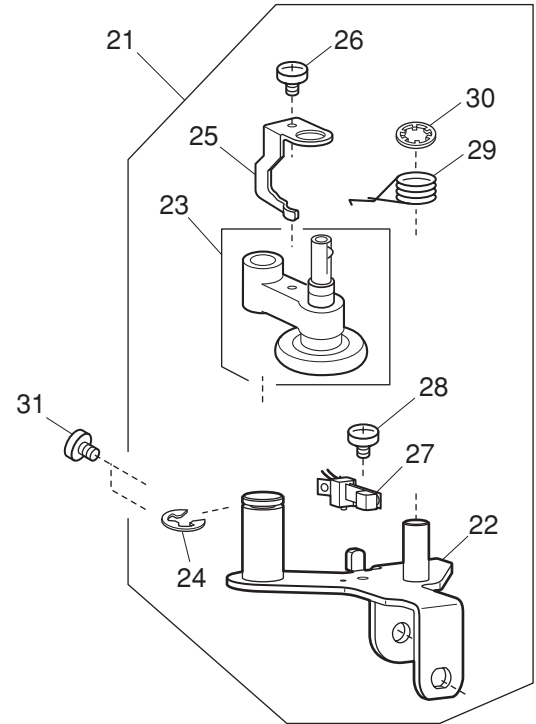
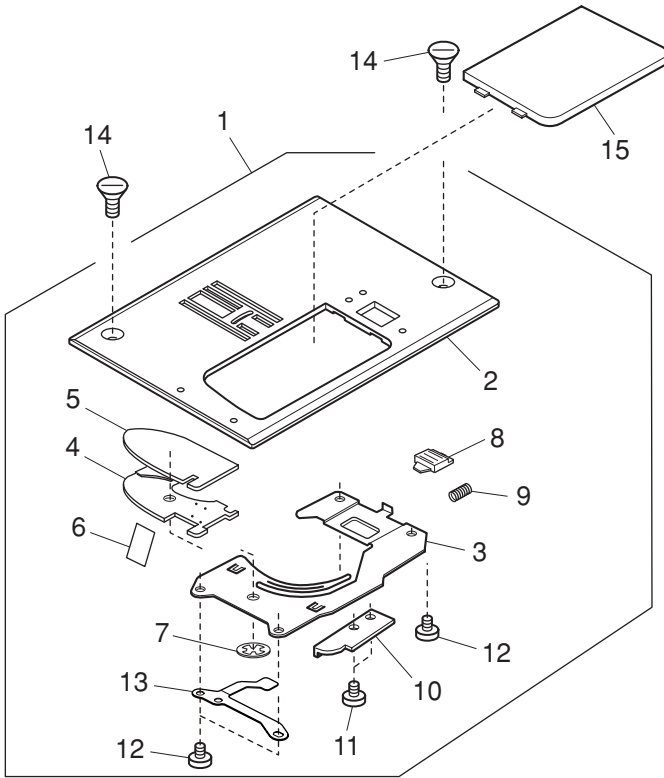
# PARTS LIST



# PARTS LIST

KEY NO.	PARTS NO.	DESCRIPTION
1	809651003	Hook race (whole unit)
2	809621015	Hook race (unit)
3	660536004	Hook body (unit)
4	820123006	Hook race shaft
5	820124007	Hook shaft oil wick (1)
6	820125008	Hook shaft oil wick (2)
7	000038409	Washer
8	627192001	Washer
9	625102008	Washer
10	508072002	Hook race shaft base
11	000111304	Hexagonal socket screw 5x5
12	000103705	Setscrew 4x5
13	627567104	Bobbin holder stopper (unit)
14	000101404	Setscrew 4x6
15	811611008	Feed regulator (unit)
16	000115205	Setscrew TP 4x6
17	809602009	Lower shaft (unit)
18	808027207	Lower shaft
19	508021006	Upper shaft gear
20	000004200	Spring pin 3x18
21	000038502	Washer
22	508054008	Shaft fixing metal
23	820166001	Lower shaft ring
24	000111201	Hexagonal socket screw 4x4
25	809017001	Lower shaft supporter
26	809016000	Lower shaft supporter plate
27	000081005	Setscrew 4x8
28	809014008	Feed cam
29	000005407	Spring pin 3x12
30	808137005	Lower shaft gear
31	846103000	Feed lifting cam
32	820161006	Feed lifting pin
33	808075004	Feed lifting cam spring
34	000022802	Spring pin 2x12
35	809013007	Feed fork
36	809015009	Feed fork spring
37	820172000	Pin
38	000071105	Washer 5
39	809064003	Needle plate set plate (right)
40	000063104	Nut 3-2-5.5
41	825515004	Feed base plate (unit)
42	825237009	Setscrew
43	809063002	Needle plate set plate (left)
44	502018105	Bobbin holder stopper
45	000193104	Thin-head setscrew TP 3x4
46	732034003	Lower shaft bushing
47	809053009	Feed balancing dial 2
48	809042005	Lower shaft bushing set plate
49	000115607	Setscrew TP 4x8
50	000101703	Setscrew 4x12
51	858570009	Bobbin holder (unit)
52	102261103	Bobbin

# PARTS LIST

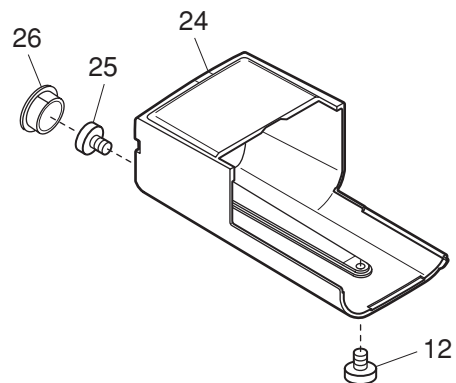
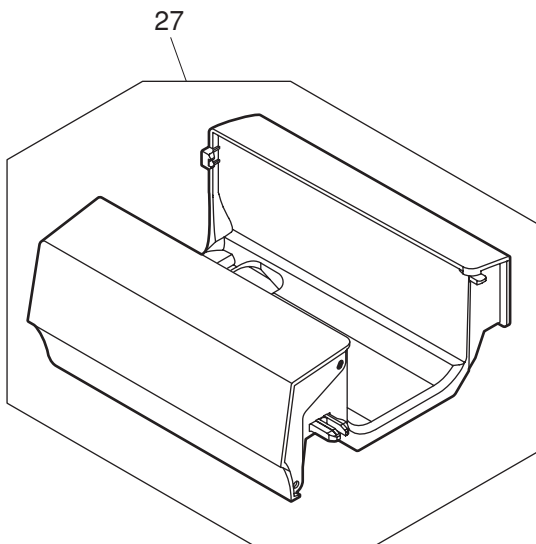
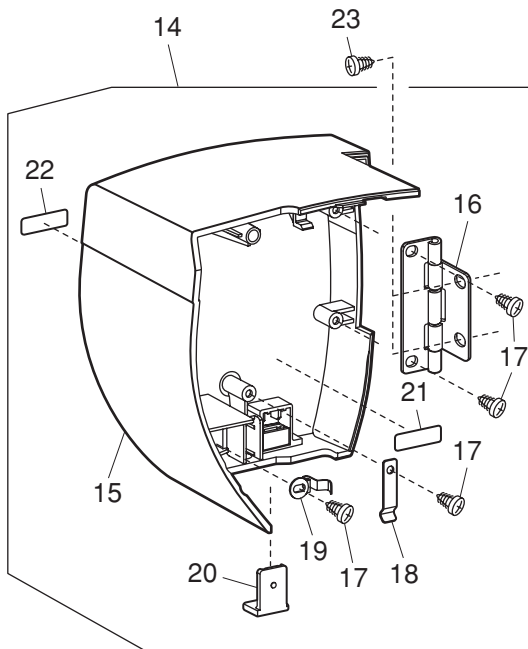
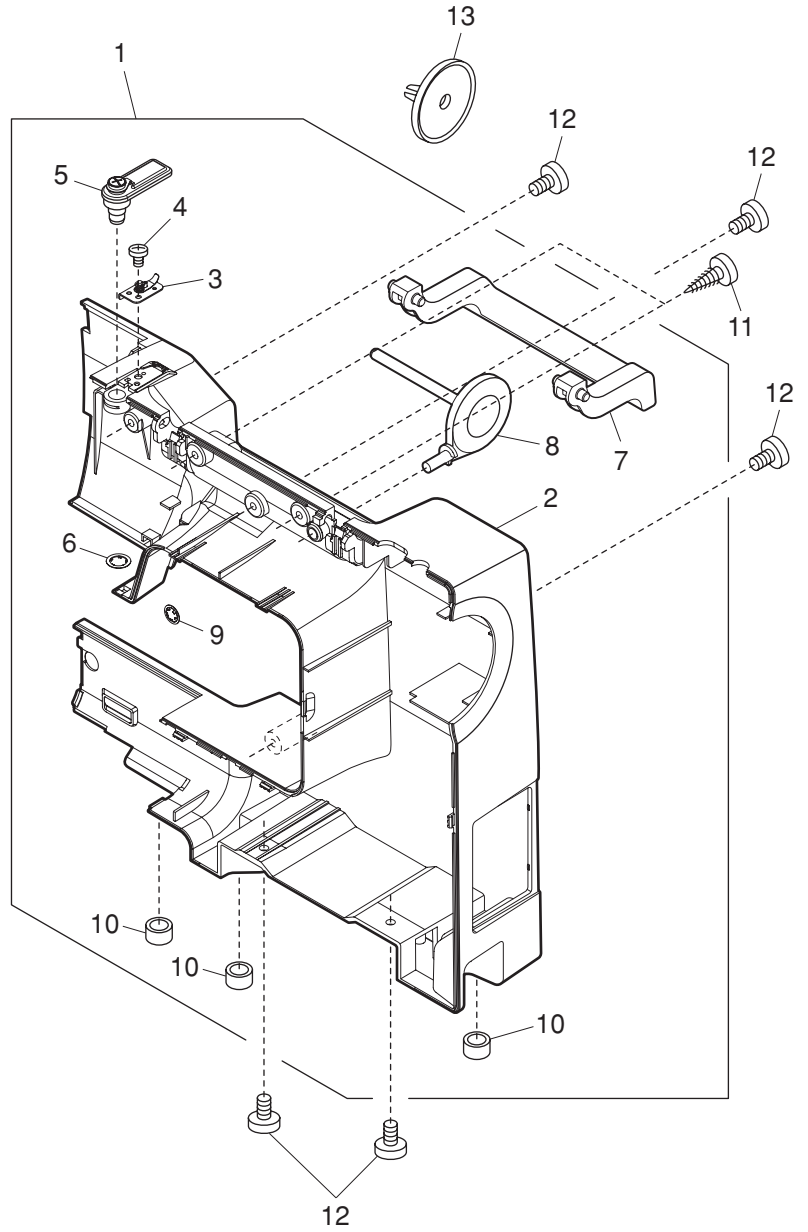
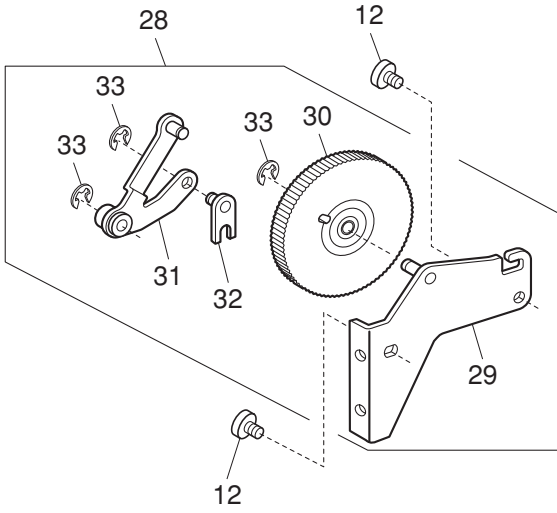




# PARTS LIST

KEY NO.	PARTS NO.	DESCRIPTION
1	809616017	Needle plate (unit)
2	809132003	Needle plate
3	809133004	Hook cover plate supporter
4	809134005	Hook cover plate supporter base
5	809135006	Guide holder
6	809137008	Cutter
7	000014306	Snap ring CS-3
8	825016000	Hook cover plate release button
9	825017001	Spring
10	809050006	Rotation stopper
11	000163703	Setscrew 2x3.5
12	820374004	Setscrew 2x2.3
13	809184000	Spring
14	681009101	Setscrew
15	809136100	Hook cover plate
16	808614001	Idler (unit)
17	808038005	Idler set plate
18	625217100	Idler
19	000002806	Snap ring E-6
20	000115607	Setscrew TP 4x8
21	808615002	Bobbin winder (unit)
22	808039006	Bobbin winder set plate
23	508507001	Bobbin winder arm (unit)
24	000001609	Snap ring E-5
25	508111004	Clutch lever
26	000120203	Setscrew 3x8 (B)
27	856512100	Switch (unit)
28	000081706	Setscrew 2.5x5
29	808040000	Spring
30	000013903	Snap ring CS-5
31	000081005	Setscrew 4x8
32	808617004	DC motor (unit)
33	808502005	DC motor
34	000115700	Setscrew TP 4x10
35	808668206	Switching regulator (unit) (Russia) (Continental Europe) (UK)
	808668309	Switching regulator (unit) (Australia)
	808657202	Switching regulator (unit) (U.S.A.) (Canada)
36	808545206	Switching regulator (Russia) (Continental Europe) (UK)
	808545309	Switching regulator (Australia)
	808525303	Switching regulator (U.S.A.) (Canada)
37	000103509	Setscrew 4x10
38	808504007	Printed circuit board P (unit)
39	808181004	Cord guide
40	000188209	Nylon clip ACC-1.5
41	000188405	Nylon clip ACC-2

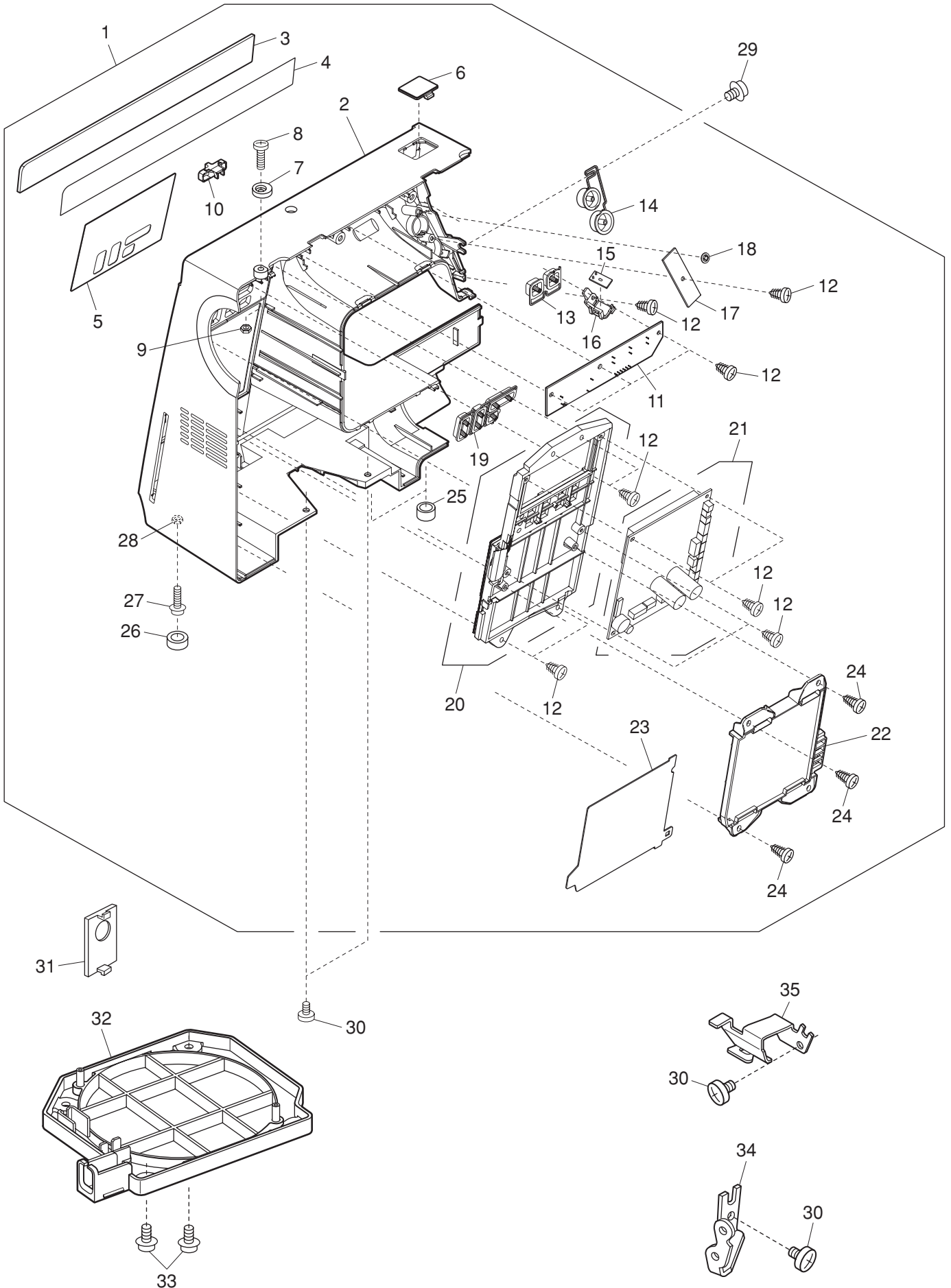
# PARTS LIST



## PARTS LIST

KEY NO.	PARTS NO.	DESCRIPTION
1	814605008	Rear cover (unit)
2	814018A01	Rear cover
3	827503108	Top cover thread guide (unit)
4	000162001	Setscrew 2.6x5 (B)
5	650503322	Thread guide (unit)
6	000014409	Snap ring CS-8
7	809105007	Carrying handle
8	809027004	Spool pin
9	000013800	Snap ring CS-6
10	739064003	Bed rubber cushion
11	000160401	Setscrew 4x16 (B)
12	000081005	Setscrew 4x8
13	822020503	Spool holder
14	814607000	Face cover (unit) (Russia) (Continental Europe) (UK) (Australia)
	814607103	Face cover (unit) (U.S.A.) (Canada)
15	814026A01	Face cover
16	851503103	Face cover hinge (unit)
17	000161206	Setscrew 3x10 (B)
18	859233000	Magnifier fixing plate
19	731067002	Face cover spring
20	840602006	Thread cutter (unit)
21	100045000	Caution sticker (U.S.A.) (Canada)
22	100517008	Caution sticker CSA (U.S.A.) (Canada)
23	000081119	Setscrew 4x6
24	809124105	Free arm cover
25	000101404	Setscrew 4x6
26	745033002	Cap
27	814507A01	Extension table (unit)
28	809608005	Presser foot pressure adjusting dial (unit)
29	809018002	Presser foot pressure adjusting set plate
30	808078203	Presser foot pressure dial
31	808079008	Adjusting arm 1
32	808080002	Adjusting arm 2
33	000002105	Snap ring E-3

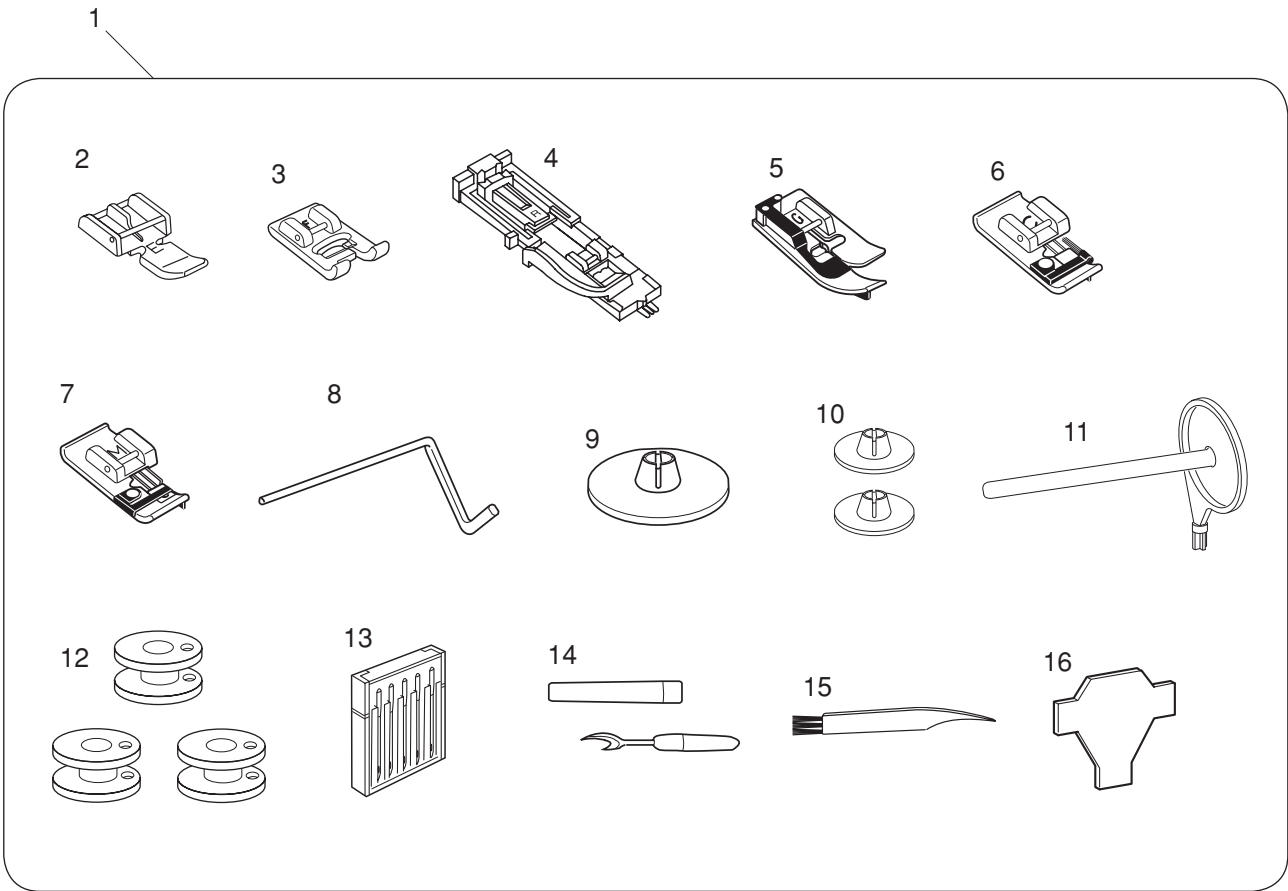
# PARTS LIST



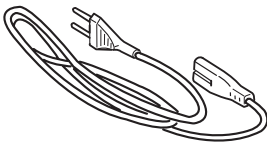
## PARTS LIST

KEY NO.	PARTS NO.	DESCRIPTION
1	814606009	Front cover (unit)
2	814019A01	Front cover
3	814021A01	Ornamental panel 1
4	814042001	Double-stick sheet
5	814022A01	Ornamental panel 2
6	809119004	Front cover lid
7	735016307	Bobbin winder stopper
8	000101828	Setscrew 4x16
9	000061205	Nut 4-3-7
10	814029002	Slide volume
11	811503109	Printed circuit board F2 (unit)
12	000120203	Setscrew 3x8 (B)
13	814023A01	Button 1
14	814025A01	Button 3
15	858511312	Printed circuit board L2 (unit)
16	808118000	Lamp holder
17	808507206	Printed circuit board F (unit)
18	000014306	Snap ring CS-3
19	814024A01	Button 2
20	814401002	Printed circuit board A case (unit)
21	814400023	Printed circuit board A (unit) (Russia) (Continental Europe) (UK) (Australia)
	814400034	Printed circuit board A (U.S.A.) (Canada)
22	813008002	Quick reference chart case
23	813009A04	Quick reference chart panel 1
24	000161206	Setscrew 3x10 (B)
25	739064003	Bed rubber cushion
26	639005003	Rubber foot
27	000201405	Setscrew TP 4x16
28	000160102	Adjustable lock nut 4
29	000115205	Setscrew TP 4x6
30	000081005	Setscrew 4x8
31	809039009	Cap
32	808059301	Bed cover
33	000149312	Setscrew 3x8
34	639080002	Front cover set plate
35	808016007	Arm thread guide

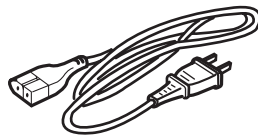
# PARTS LIST



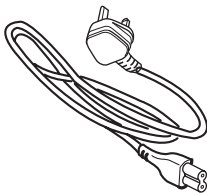
17 (Russia) (Continental Europe)



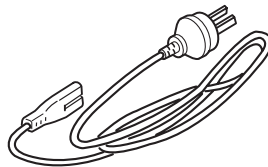
17 (U.S.A.) (Canada)



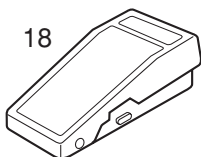
17 (Australia)



17 (UK)



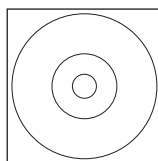
18



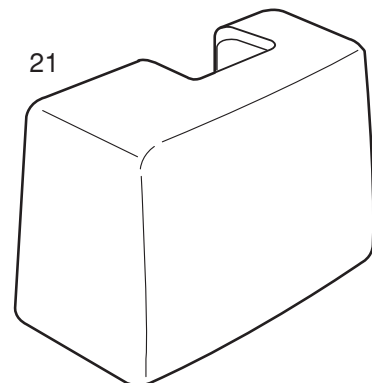
19



20



21



## PARTS LIST

KEY NO.	PARTS NO.	DESCRIPTION
1	814870006	Standard accessories
2	808852003	Zipper foot E
3	822804118	Satin stitch foot F
4	753801004	Automatic buttonhole foot R
5	825817009	Blind hemming foot G
6	822801001	Overedge foot C
7	822808008	Overcast foot M
8	802422002	Quilting guide bar
9	822020503	Spool holder (large)
10	822019509	Spool holder (small)
11	809146000	Extra spool pin
12	102261103	Bobbin
13	540401026	Assorted needle set
14	647808009	Seam ripper (Buttonhole opener)
15	802424004	Lint brush
16	653802002	Screwdriver
17	830335004	Power cable (Russia) (Continental Europe)
	856519004	Power cable (U.S.A.) (Canada)
	830314018	Power cable (Australia)
	830377008	Power cable (UK)
18	C-1036	Foot control
19	814800005	Instruction book (English)
	814800016	Instruction book (Russian)
	814800027	Instruction book (Dutch/French/German)
20	814801006	Instructional DVD
21	404701404	Hard cover