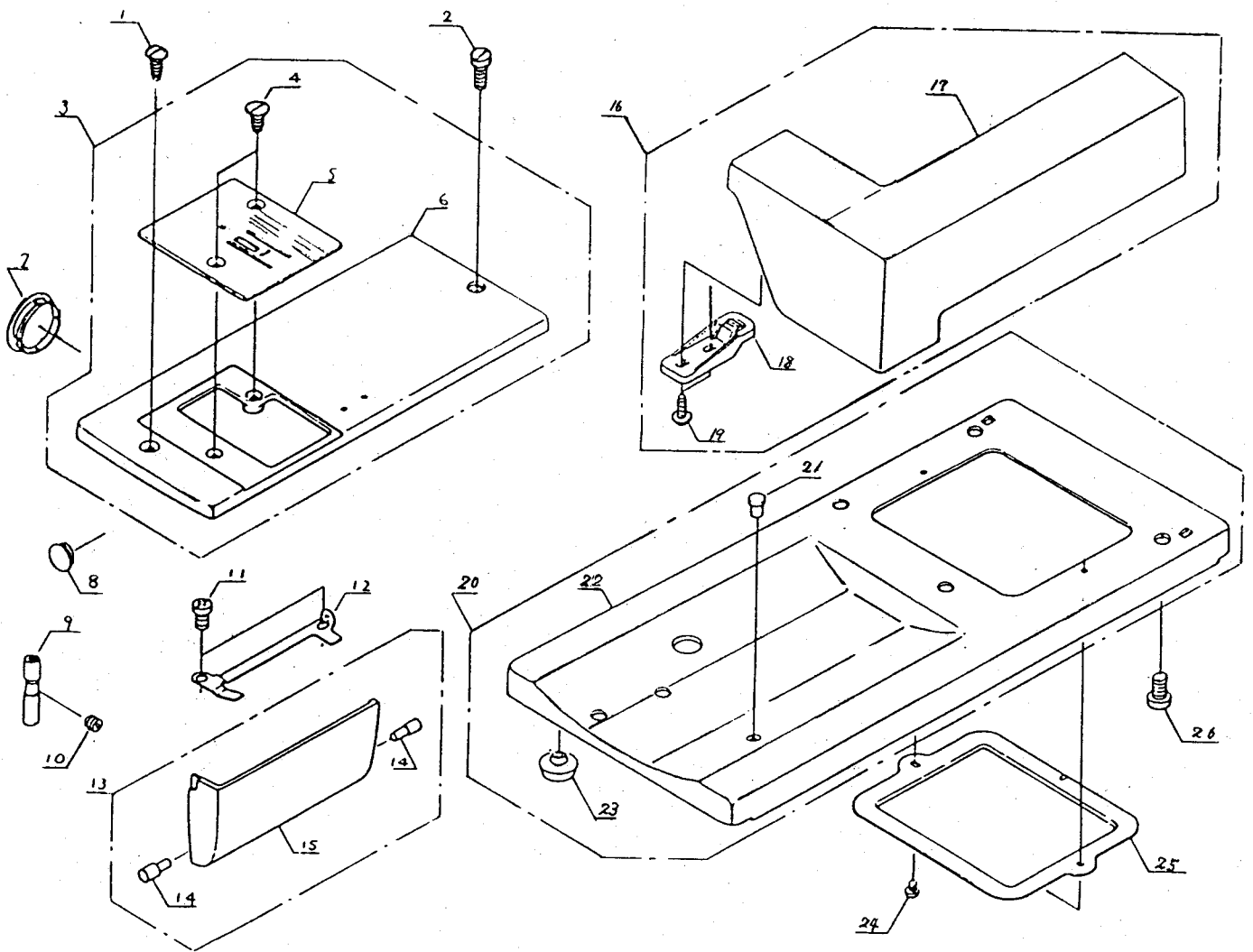
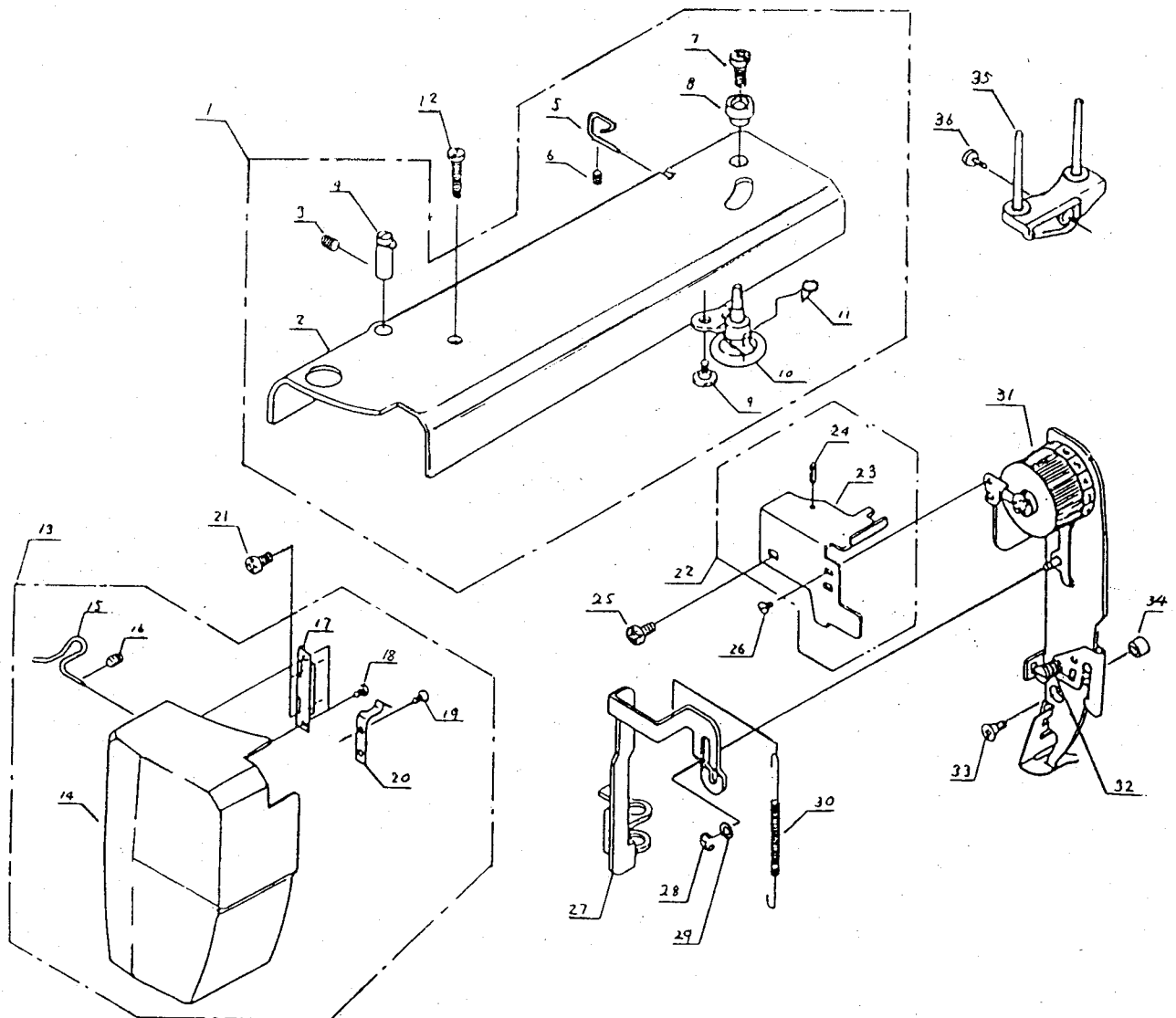


# PARTS LIST

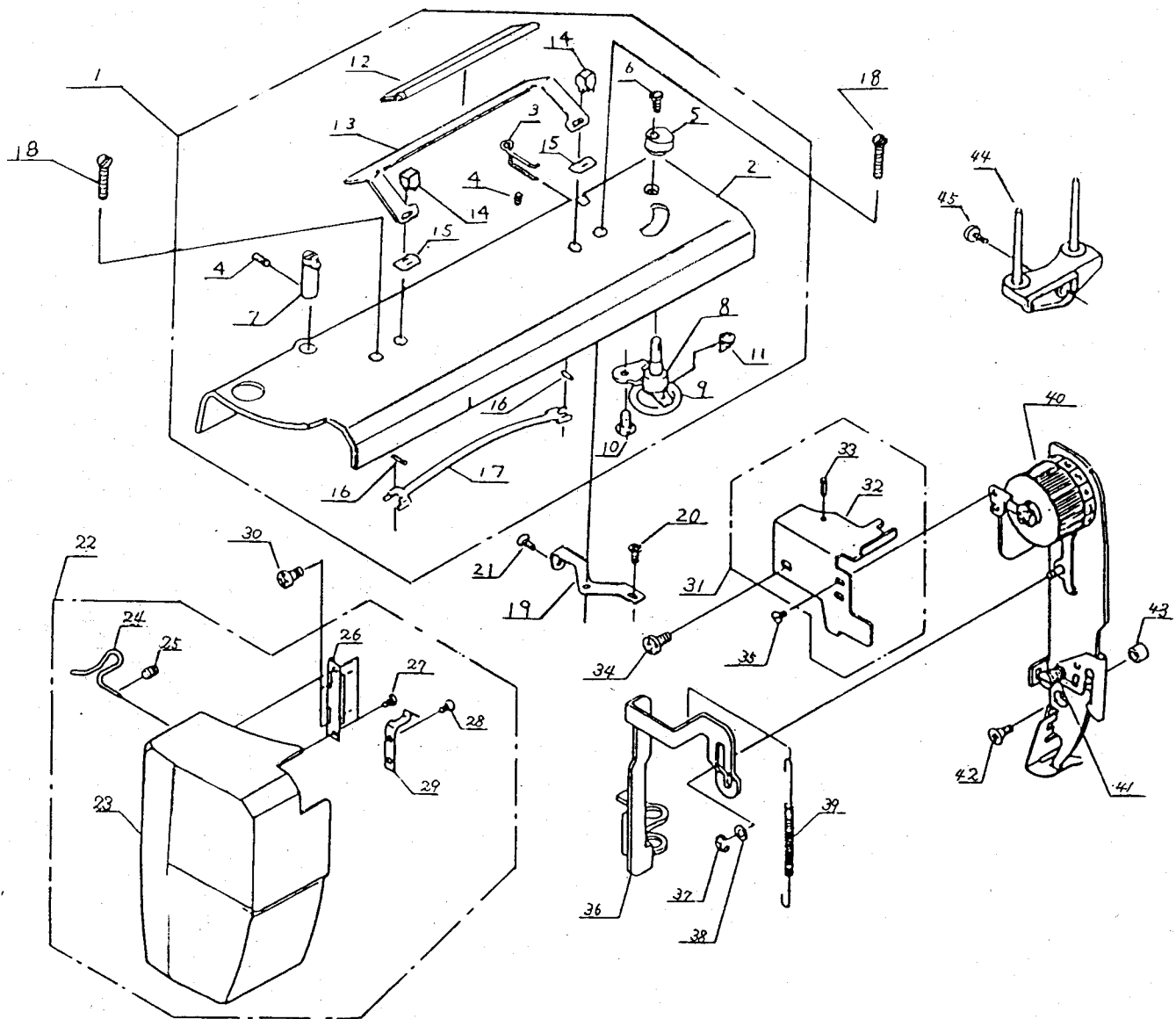
Model 657



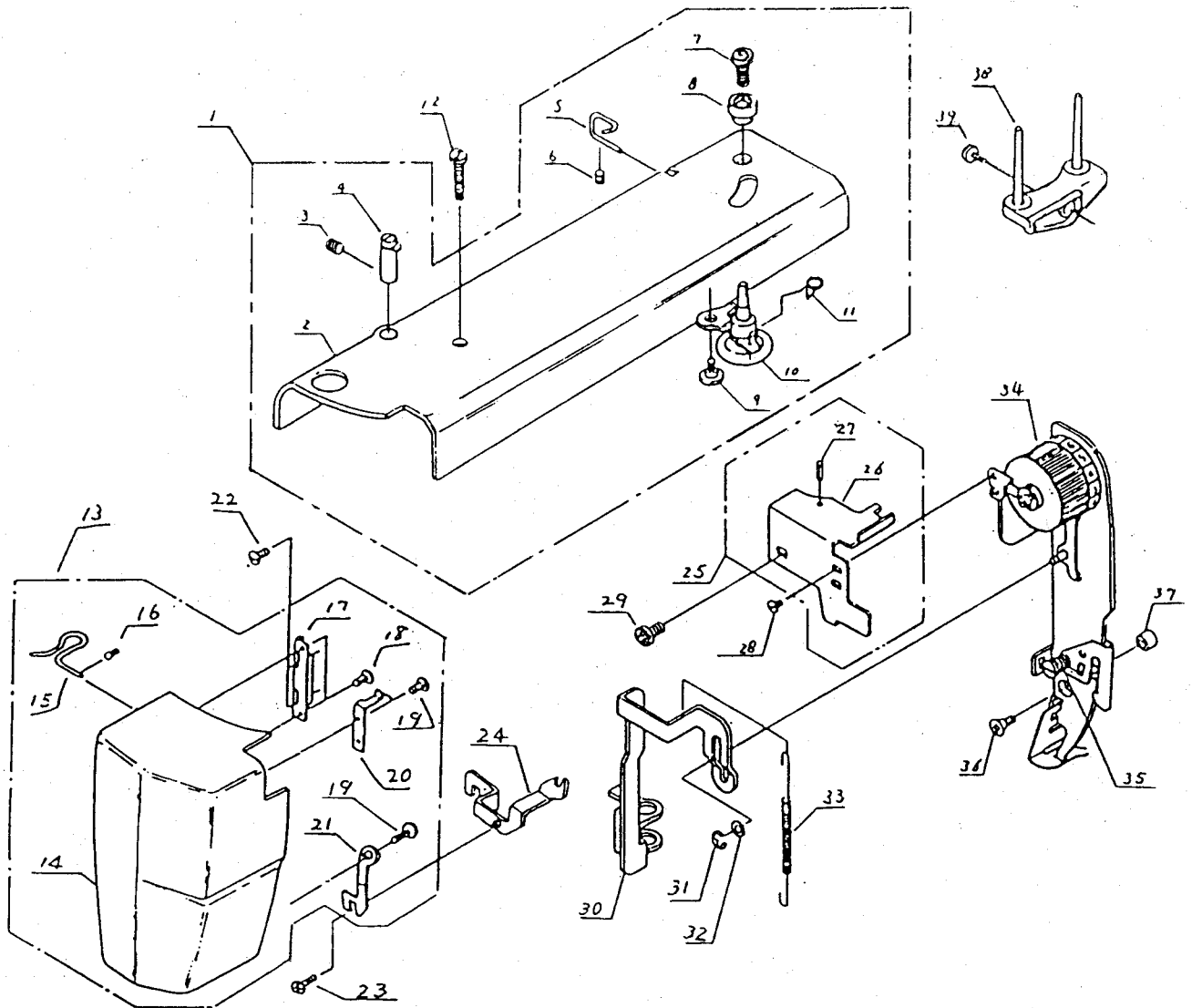
Ref. No.	Parts No.	Names of parts
1	605071005	Flat head set screw
2	000067717	Pan head small screw
3	656615005	Bed cover (unit)
4	681009008	Flat head set screw
5	656034004	Needle plate
6	626004105	Bed cover
7	626045005	Cap
8	605020205	Free arm plug
9	813119007	Free arm cover set screw holder pin
10	000111108	Hexagonal socket screw
11	000103705	+ binding head small screw 4x5
12	656035005	Shuttle race cover spring
13	626602017	Shuttle race cover (unit)
14	640005007	Hook race cover pin
15	626006015	Hook race cover
16	626616014	Extension table (unit)
16	656614004	Extension table (unit) Dorina only
17	626071011	Extension table
17	656033003	Extension table Dorina only
18	626072001	Extension table hook
19	000109103	Flange T screw 4x12
20	626618005	Base (unit)
21	701179005	Base rubber cap
22	626070102	Base
23	618039001	Base rubber cushion
24	000101105	+ binding head small screw 3x4
25	640032003	Base lid
26	000100702	+ pan head small screw 6x10



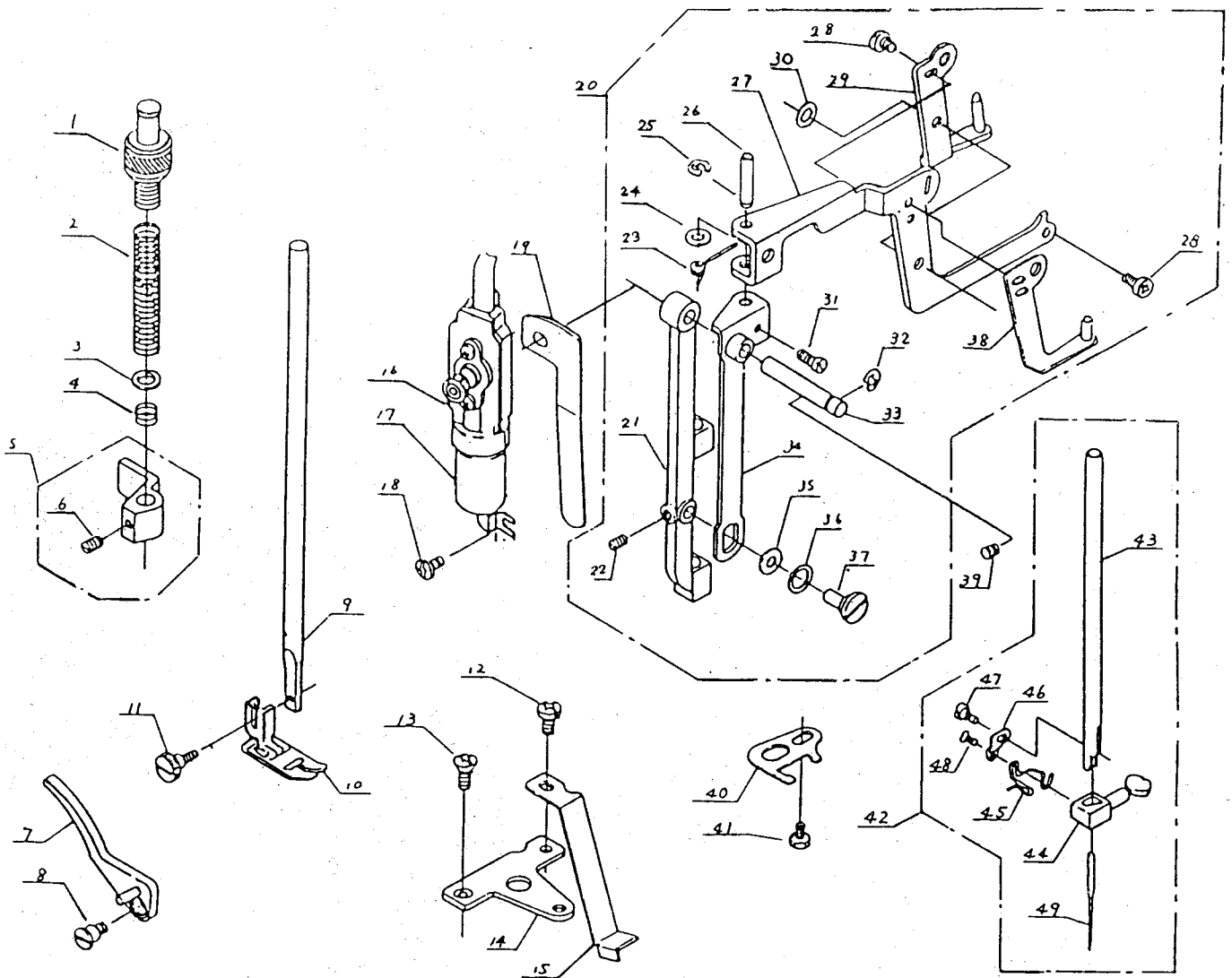
Ref. No.	Parts No.	Names of parts (NH only)
1	656634103	Top cover (unit)
2	656102200	Top cover
3	000082604	Set screw 4x4
4	802501006	Bobbin winder thread guide (unit)
5	820018007	Top cover thread guide
6	000082604	Set screw 4x4
7	000103107	+ binding head small screw 4x14
8	674064009	Bobbin winder stopper
9	601010004	Hinge screw
10	550501006	Bobbin winder (unit)
11	601011005	Bobbin winder spring
12	673176002	Set screw
13	656632008	Face plate (unit)
14	656103108	Face plate
15	802014007	Thread guide
16	000111108	Hexagonal socket screw 4x6
17	366501009	Face plate hinge (unit)
18	000077503	+ pan head set screw 4x6
19	000103004	+ binding head small screw 3.5x6
20	671018009	Face plate spring
21	000077503	+ pan head set screw 4x6
22	626606000	Thread guide upper plate (unit)
23	626015006	Thread guide upper plate
24	000004901	Spring pin 1.6x5
25	000081005	+ binding head small screw 4x8
26	000101105	+ binding head small screw 3x4
27	626013004	Thread releasing rod
28	000001300	Snap ring E-3
29	000037006	Washer FT 40x0.5
30	626014005	Thread releasing spring
31	656501007	Tension (unit)
32	626019000	Check spring
33	000102106	Flat head set screw 4x12
34	626032009	Thread guide ring
35	630007008	Spool pin
36	000103510	+ binding head small screw 4x10



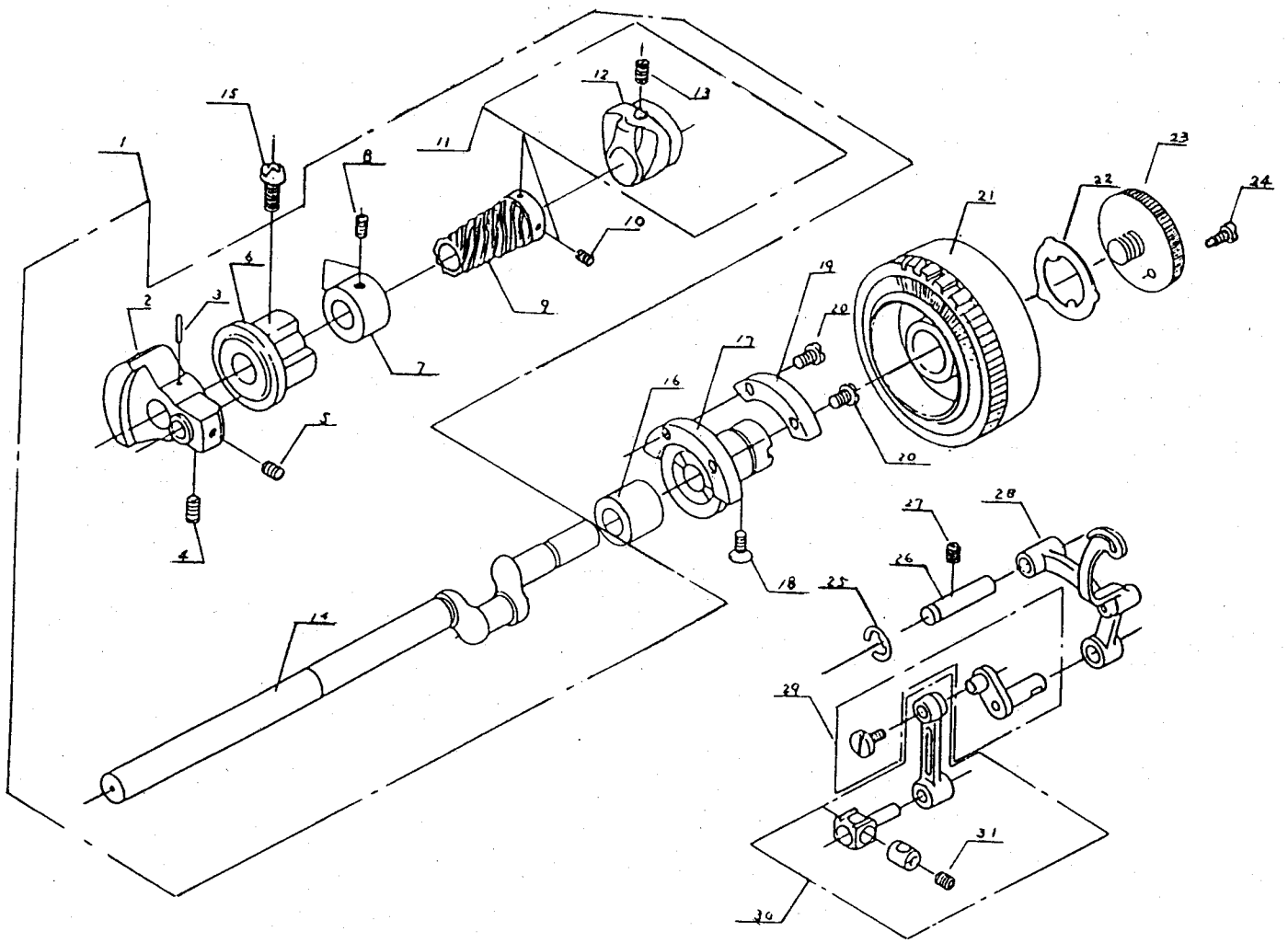
Ref. No.	Parts No.	Names of parts (JE, JCA only)	Ref. No.	Parts No.	Names of parts
1	656634103	Top cover (unit)	31	626606000	Thread guide upper plate (unit)
2	656102200	Top cover	32	626015006	Thread guide upper plate
3	000082604	Set screw 4x4	33	000004901	Spring pin 1.6x5
4	802501006	Bobbin winder thread guide (unit)	34	000081005	+ binding head small screw 4x8
5	820018007	Bobbin winder thread guide	35	000101105	+ binding head small screw 3x4
6	000082604	Set screw 4x4	36	626013004	Thread releasing rod
7	000103107	+ binding head small screw 4x14	37	000001300	Snap ring E-3
8	674064009	Bobbin winder stopper	38	000037006	Washer FT 40x0.5
9	601010004	Hinge screw	39	626014005	Thread releasing spring
10	550501006	Bobbin winder (unit)	40	656501007	Tension (unit)
11	601011005	Bobbin winder spring	41	626019000	Check spring
12	656003004	Handle cover	42	000102106	+ flat head small screw 4x12
13	656004005	Handle	43	626032009	Thread guide ring
14	656005006	Handle hook	44	630007008	Spool pin base
15	656006007	Handle hook plate	45	000103510	+ binding head small screw 4x10
16	656007008	Handle hook pin			
17	656008009	Handle hook stopper plate			
18	673176002	Set screw			
19	657002006	Handle stopper plate			
20	000101507	+ binding head small screw			
21	693091004	Flat head set screw			
22	656632008	Face plate (unit)			
23	656103108	Face plate			
24	802014007	Thread guide			
25	000111108	Hexagonal socket screw 4x6			
26	366501009	Face plate hinge (unit)			
27	000077503	+ flat head small screw			
28	000103004	+ binding head small screw			
29	671018009	Face plate spring			
30	000077503	+ pan head small screw			



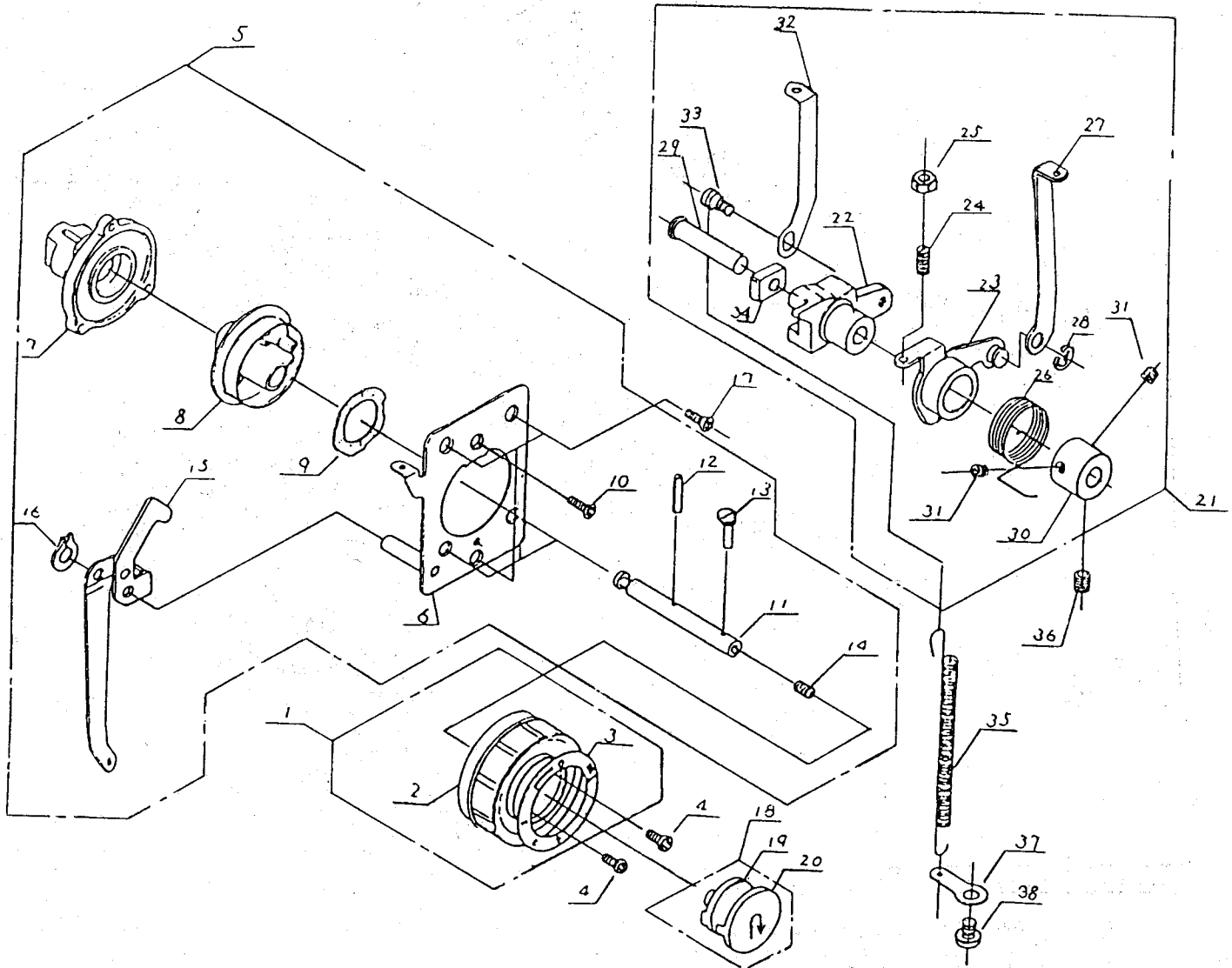
Ref. No.	Parts No.	Names of parts (Dorina only)
1	656634206	Top cover (unit)
2	656102303	Top cover
3	000082604	Set screw 4x4
4	802501006	Bobbin winder thread guide (unit)
5	820018007	Bobbin winder thread guide
6	000082604	Set screw 4x4
7	000103107	+ binding head set screw 4x4
8	674064009	Bobbin winder stopper
9	601010004	Hinge screw
10	550501006	Bobbin winder (unit)
11	601011005	Bobbin winder spring
12	673176002	Set screw
13	656635001	Face plate (unit)
14	656108103	Face plate
15	802014007	Thread guide
16	000111108	Hexagonal socket screw 4x6
17	366501009	Face plate hinge (unit)
18	000077503	+ flat head small screw
19	000103004	+ binding head small screw
20	671018009	Face plate spring
21	656030000	Face plate fixing forked plate
22	000077503	+ pan head small screw
23	000103004	+ binding head small screw 3.5x6
24	656031001	Face plate holder bracket
25	626606000	Thread guide upper plate (unit)
26	636015006	Thread guide upper plate
27	000004901	Spring pin 1.6x5
28	000081005	+ binding head small screw 4x8
29	000101105	+ binding head small screw 3x4
30	626013004	Thread releasing rod
31	000001300	Snap ring E-3
32	000037006	Washer FT 40x0.5
33	626014005	Thread releasing spring
34	656501007	Tension (unit)
35	626019000	Check spring
36	000102106	+ flat head small screw 4x12
37	626032009	Thread guide ring
38	630007008	Spool pin base
39	000103510	+ binding head small screw 4x10



Ref. No.	Parts No.	Names of parts	Ref. No.	Parts No.	Names of parts
1	102517107	Pressure regulator (unit)	35	670258000	Plain washer
2	532165008	Presser bar spring	36	678044005	Plain washer
3	102061008	Plain washer	37	678084007	Eccentric pin
4	102222009	Pressure regulator spring	38	657003007	Zigzag width adjusting plate
5	671515001	Presser bar guide bracket (unit)	39	000082202	Set screw 5x5
6	102063000	Set screw	40	680036001	Needle bar supporter dividing motion stopper
7	815027003	Presser bar lifter	41	000066303	Hexagonal head bolt 4x6
8	815028004	Hinge screw	42	680514008	Needle bar (unit)
9	350804006	Presser bar	43	553085008	Needle bar
10	553507001	Presser foot	44	801506008	Needle clamp (unit)
11	102012004	Thumb screw	45	680043001	Needle bar thread guide
12	000081005	+ binding head small screw 4x8	46	670262007	Needle bar thread guide set plate
13	000066532	+ flat head screw 4x8	47	802108009	Hinge screw
14	627046009	Top cover set plate	48	670047004	Flat head set screw
15	693047005	Lamp cord presser	49	102408089	Needle HA1-14
16	626502005	Lamp socket (unit)			
16	626605008	Lamp socket (unit) for JCA			
16	626508001	Lamp socket (unit) for JE			
16	693508205	Lamp socket (unit) for Dorina			
17	000008606	Lamp			
17	000009009	Lamp for JE, Dorina			
18	000101404	+ binding head small screw 4x6			
18	000081005	+ binding head set screw 4x8 for Dorina			
19	693089009	Needle bar supporter spring			
20	657601001	Needle bar supporter (unit)			
21	670070006	Needle bar supporter			
22	553137006	Set screw			
23	693013002	Zigzag dividing rod spring			
24	693045003	Plain washer			
25	000002105	Snap ring E-3			
26	693044105	Zigzag dividing rod shaft			
27	648004000	Zigzag dividing rod (unit)			
28	000101507	+ binding head small screw 3.5x5			
29	648005001	Zigzag regulating lever			
30	000013903	Snap ring CS-5			
31	589038007	Set screw			
32	000001506	Snap ring E-4(D)			
33	626009007	Needle bar supporter pin			
34	626010001	Needle bar supporter bracket			

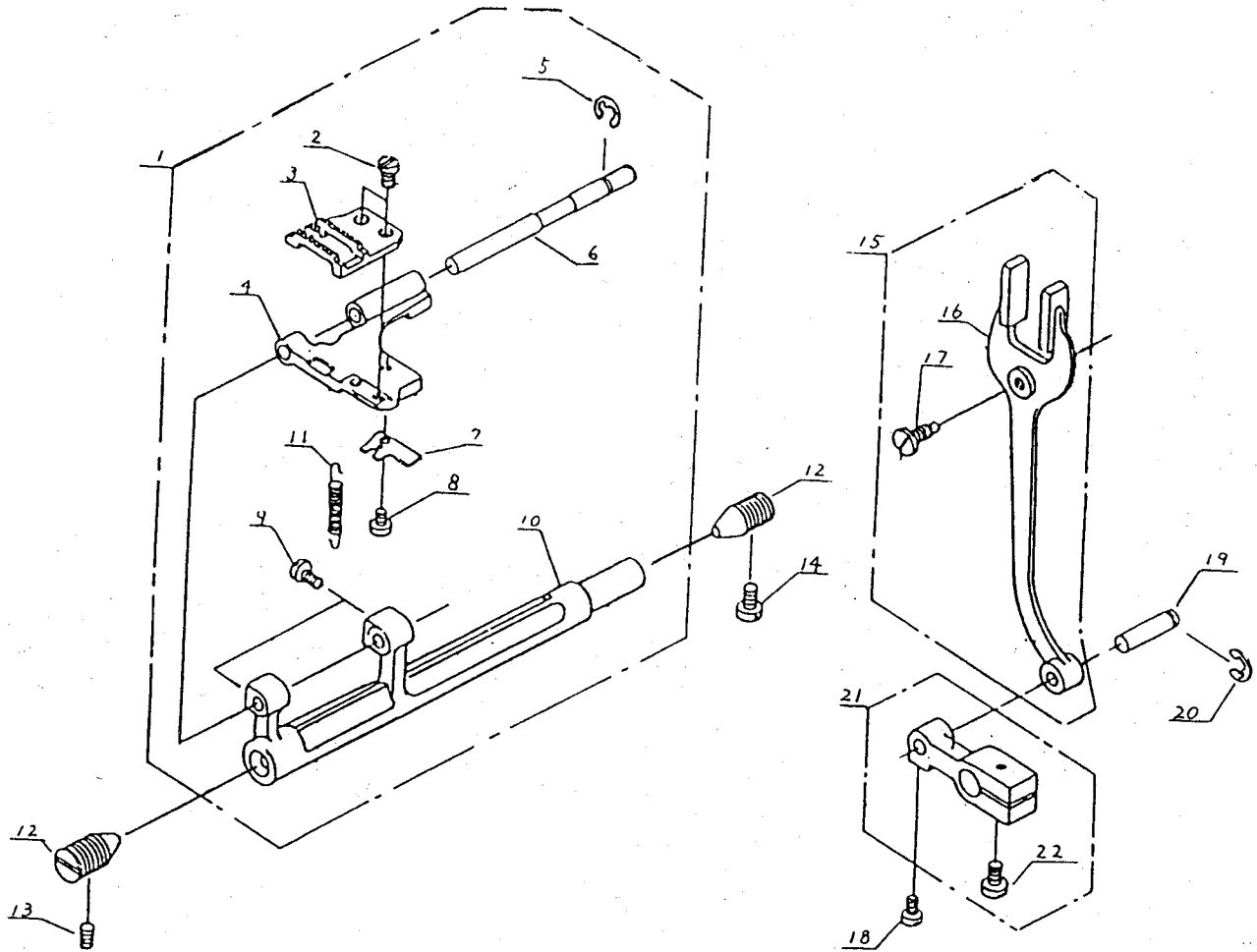


Ref. No.	Parts No.	Names of parts
1	640608109	Upper shaft (unit)
2	647034006	Thread take-up crank
3	000004314	Spring pin 3x20
4	102073003	Set screw
5	102063000	Set screw
6	670079005	Upper shaft front bushing
7	658019009	Ring
8	000111304	Hexagonal socket screw 5x5
9	693015015	Upper shaft worm gear
10	694047008	Set screw
11	365507002	Feed cam (unit)
12	365075006	Feed cam
13	102133002	Set screw
14	647136009	Upper shaft
15	000100506	+ pan head set screw 5x12
16	671021005	Upper shaft rear bushing
17	647137000	Balance wheel bushing
18	671106005	Flat head set screw
19	640008000	Balance weight
20	000100104	+ pan head set screw 3x12
21	626033103	Balance wheel
22	626033000	Balance wheel for Dorina only
23	102076006	Stop motion washer
24	102077007	Stop motion large screw
25	102078008	Set screw
26	000001702	Snap ring E-6(D)
27	802028004	Thread take-up lever pin
28	000082202	Set screw 5x5
29	802503008	Thread take up lever (unit)
30	680505006	Needle bar crank pin (unit)
31	680504005	Needle bar connecting stud (unit)
	000111201	Hexagonal socket screw 4x4

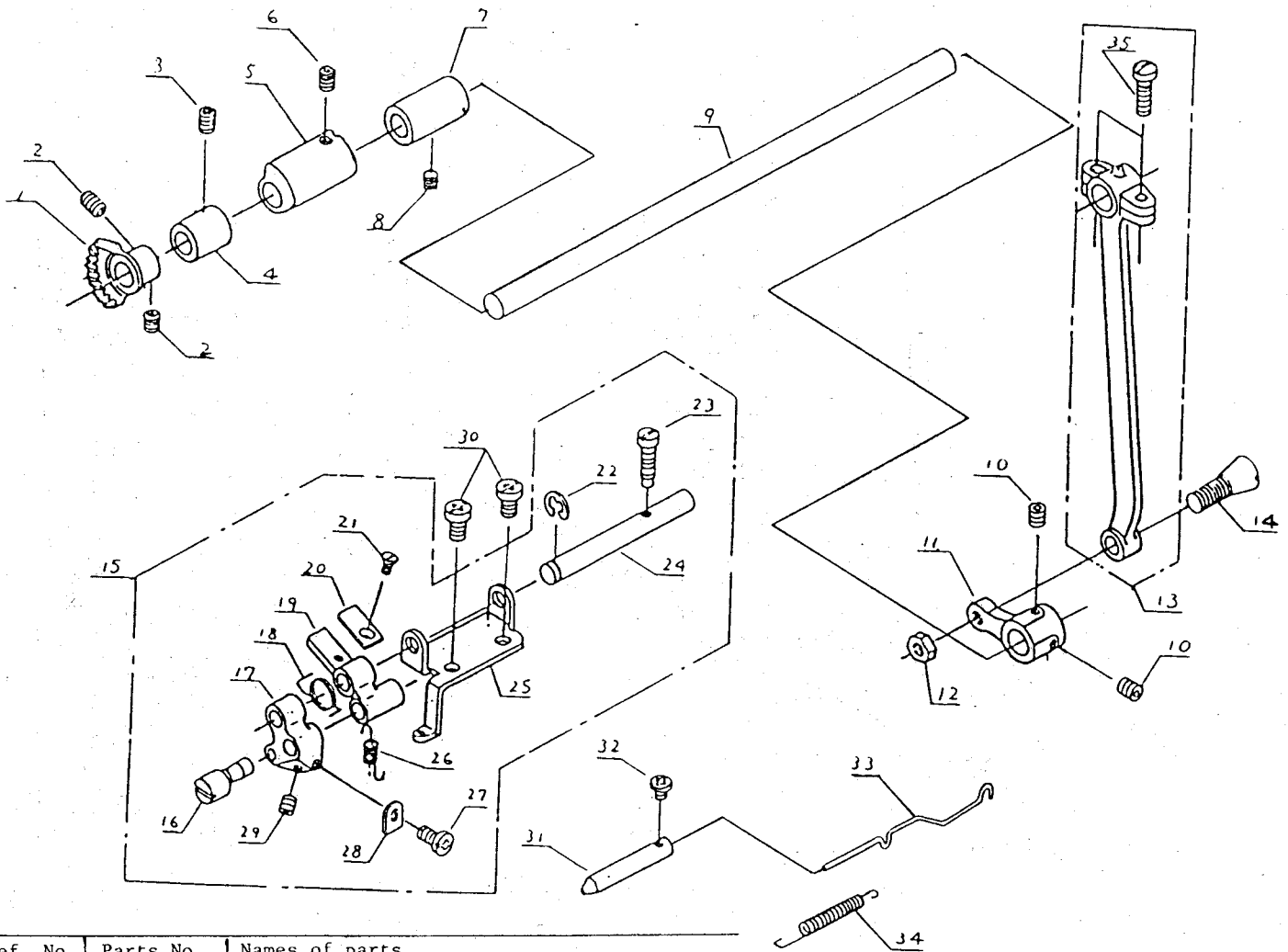


Ref. No.	Parts No.	Names of parts	Ref. No.	Parts No.	Names of parts
1	656605404	Stitch length dial (unit)	26	611014009	Feed regulator bracket spring
1	656605208	Stitch length dial (unit) for Dorina	27	656013007	Buttonhole regulating rod
1	656605301	Stitch length dial for JCA	28	000000309	Snäp ring E-40(I)
2	656014101	Stitch length dial	29	601024001	Feed regulating set pin
3	657027007	Stitch length dial panel	30	672178001	Feed regulator bushing
3	657004008	Stitch length dial panel for Dorina	31	000111201	Hexagonal socket screw 4x4
3	657023003	Stitch length dial panel for JCA	32	648011000	Stretch stitch rod
4	000107307	+ pan head set screw 3x8 (B)	33	648012001	Hinge screw
5	657602002	Stitch length regulator dial plate (unit)	34	102141003	Forked rod slide block
6	656016000	Stitch length regulator dial base holder plate	35	670100006	Feed regulating spring
7	601122000	Stitch length regulator dial base	36	802047004	Hexagonal socket screw
8	645026010	Stitch length adjusting cam	37	812049002	Feed regulator arm spring plate
9	645027011	Dorrugated washer	38	000101404	+ binding head small screw 4x6
10	000076801	+ flat head T screw 3x8-2V			
11	618020009	Stitch length regulator dial shaft			
12	000019404	Spring pin 2.5x14			
13	618021000	Eccentric pin			
14	000111201	Hexagonal socket screw			
15	645028001	Drop feed connecting lever			
16	000014605	Snäp ring GTW-6			
17	693091004	Flat head set screw			
18	642604570	Reverse feed button (unit)			
18	642604905	Reverse feed button for JCA			
19	635004000	Reverse feed button			
20	642003573	Reverse feed button lid			
20	642003908	Reverse feed button lid for JCA			
21	656604001	Feed regulator unit for Model 656, 657			
22	647049004	Feed regulator			
23	656012006	Feed regulator bracket			
24	648010009	Set screw			
25	000061205	Nut 4-3-1			

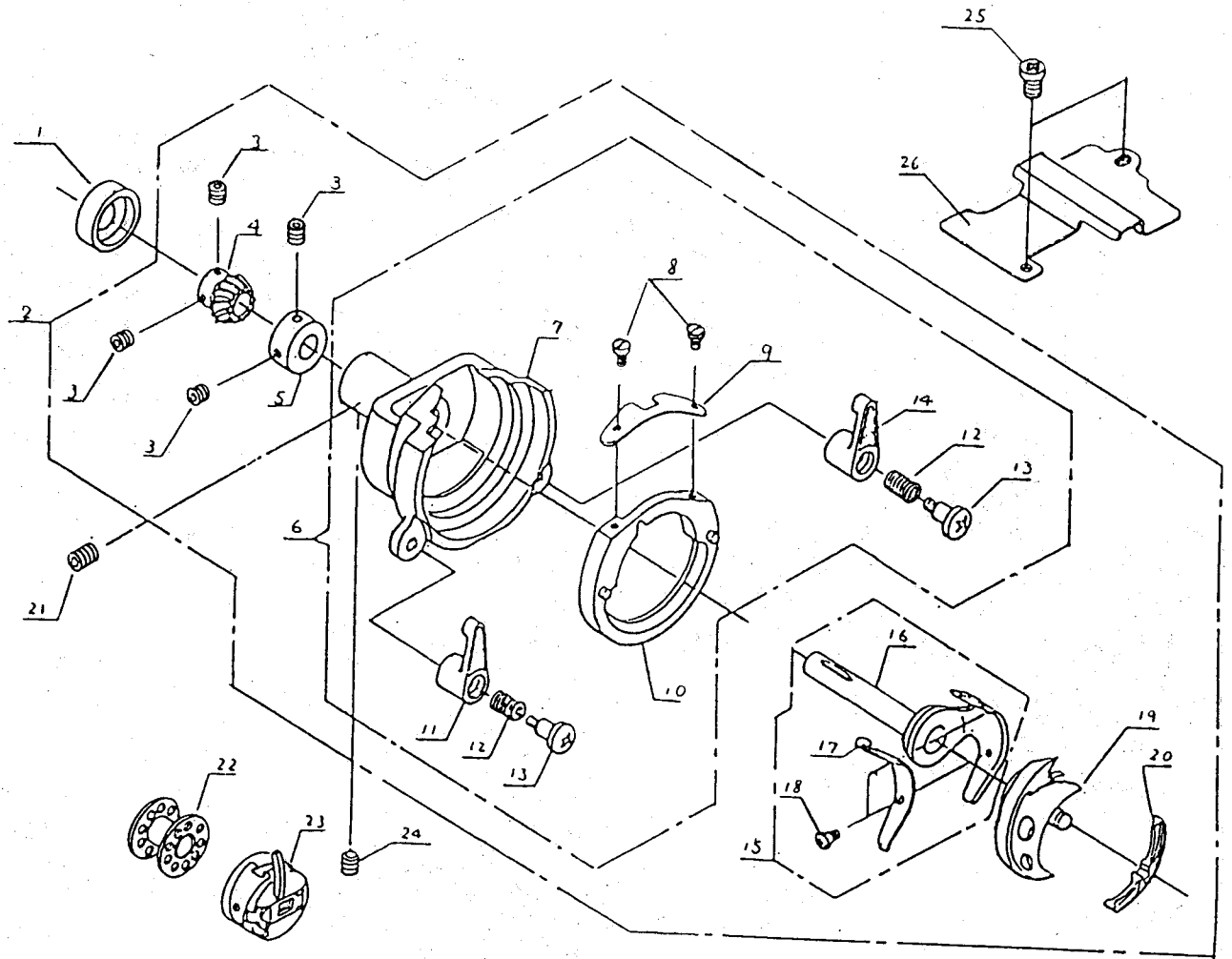




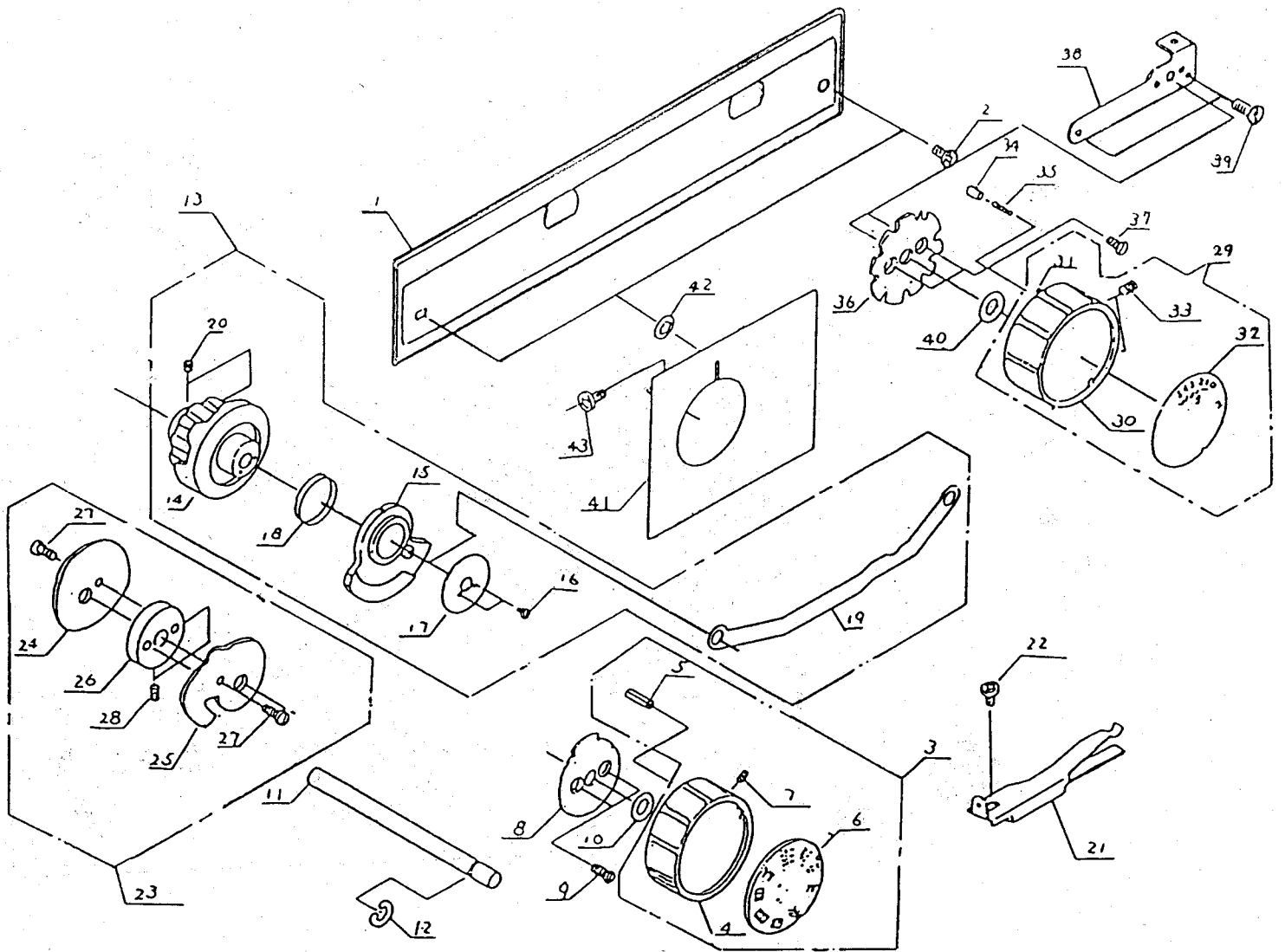
Ref. No.	Parts No.	Names of parts
1	656616006	Feed rock shaft (unit)
2	102160008	Set screw
3	656037007	Feed dog
4	640024002	Feed dog base
5	000001506	Snap ring E-4(D)
6	640025003	Feed dog base shaft
7	656036006	Feed dog base slide plate
8	102021109	Set screw
9	532050009	Set screw
10	640035006	Feed rock shaft
11	672042005	Feed dog base spring
12	532030003	Center screw
13	000113605	Set screw 5x8
14	000101301	Set screw 5x10
15	609605006	Forked rod (unit)
16	609016004	Forked rod
17	553036004	Forked rod slide block screw stud
18	102205006	Set screw
19	673103008	Forked rod connecting pin
20	000001702	Snap ring E-6(D)
21	609507007	Feed rock shaft crank (unit)
22	102205006	Set screw



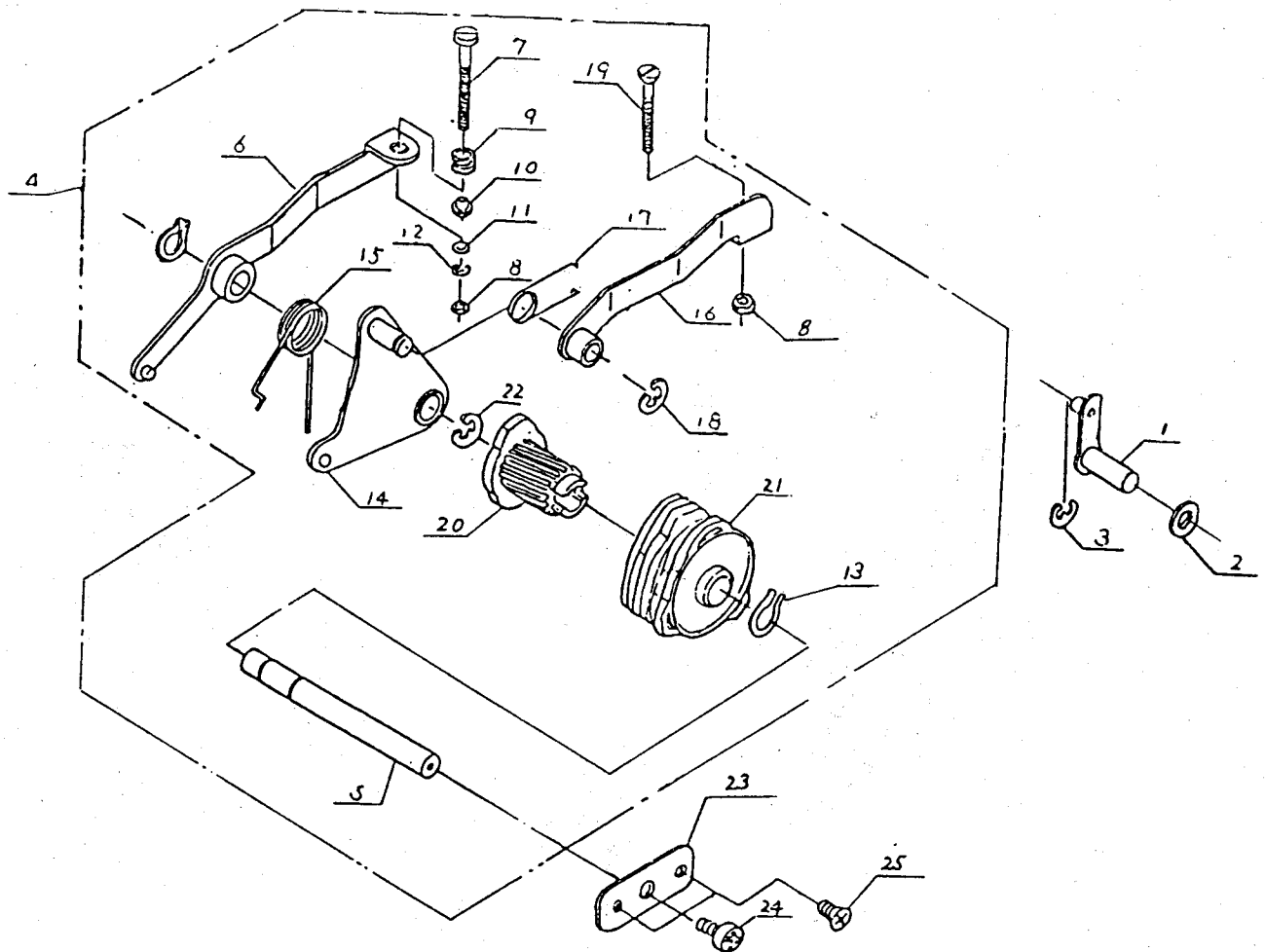
Ref. No.	Parts No.	Names of parts
1	640013008	Lower shaft gear
2	000110107	Hexagonal socket screw WP 5x5
3	000111304	Hexagonal socket screw 5x5
4	640037008	Lower shaft front bushing
5	640012007	Feed lifting cam
6	000111304	Hexagonal socket screw 5x5
7	640038009	Lower shaft rear bushing
8	000082305	Set screw 5x10
9	640011006	Lower shaft
10	000111304	Hexagonal socket screw 5x5
11	640010005	Lower shaft crank
12	102129005	Nut
13	640602000	Crank rod (unit)
14	761161000	Taper screw
15	813630009	Feed lifting cam (unit)
16	813107002	Feed lifting crank roller shaft
17	813106001	Feed lifting adjusting crank
18	605034006	Feed lifting adjusting crank
19	605029008	Feed lifting cam
20	605030002	Sliding plate
21	365032001	Flat head set screw
22	000001702	Snap ring E-6(D)
23	320057003	Set screw
24	605027006	Feed lifting shaft
25	605028007	Feed lifting shaft base
26	605031003	Feed lifting crank spring
27	000101404	+ binding head small screw 4x6
28	813108003	Feed lifting stopper
29	000111108	Hexagonal socket screw 4x6
30	000101301	+ pan head small screw 5x10
31	656018002	Drop feed plunger
32	000077112	+ pan head small screw 3x5
33	640028006	Plunger rod
34	812029006	Plunger spring
35	102127003	Set screw



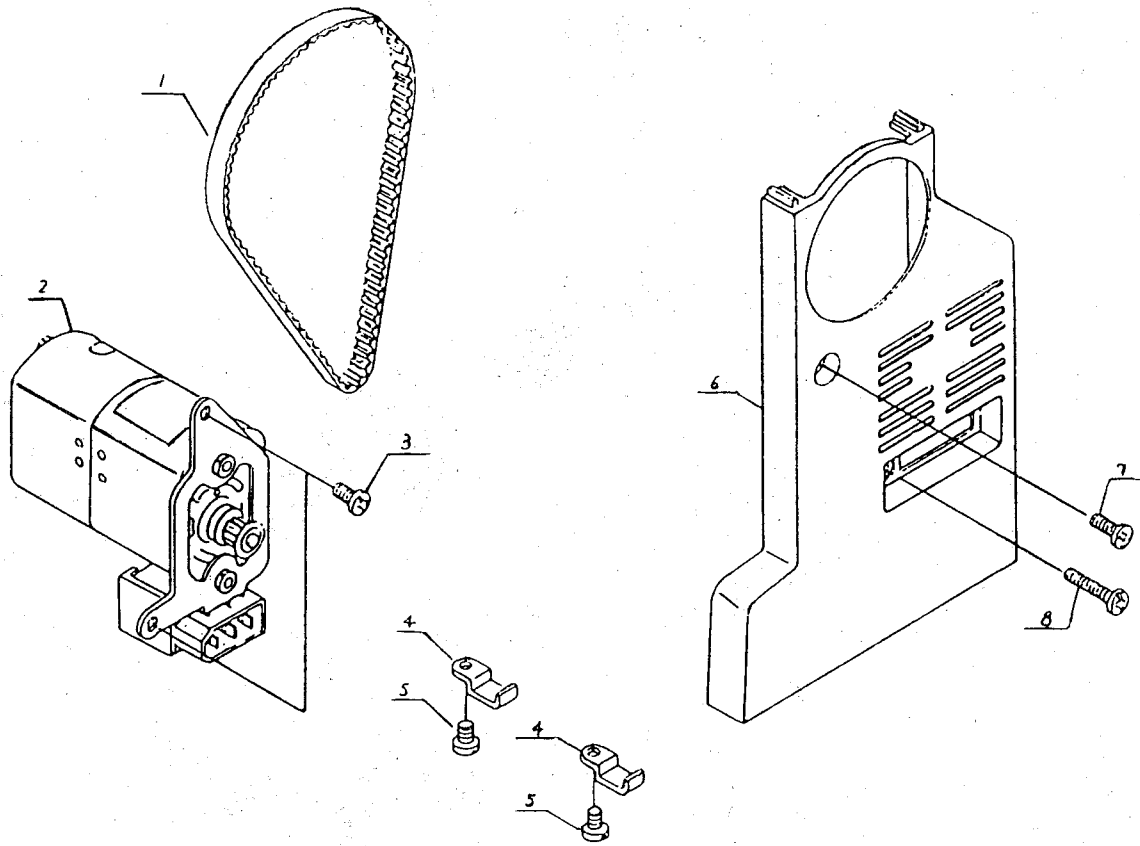
Ref. No.	Parts No.	Names of parts
1	640018003	Hook driver shaft bushing
2	640603012	Hook race (unit)
3	553245008	Hexagonal socket screw
4	640041005	Hook driver shaft level gear
5	553026001	Hook driver shaft ring
6	640503000	Hook race body (unit)
7	640014009	Hook race body
8	102100000	Set screw
9	553265004	Hook race ring cap spring
10	553168006	Hook race ring
11	605066007	Hook race ring clasp (B)
12	532184003	Hook race ring clasp spring
13	673290003	Hinge screw
14	605065006	Hook race ring clasp (A)
15	640504001	Hook driver body (unit)
16	640015000	Hook driver body
17	670286007	Hook driver spring
18	102202003	Flat head set screw
19	532096007	Hook
20	102203004	Thread ejector
21	000111108	Hexagonal socket screw 4x6
22	102115008	Bobbin
23	532504003	Bobbin case (unit)
24	000111304	Hexagonal socket screw 5x5
25	000066602	+ pan head small screw 4x4
26	626038005	Gear box lid



Ref. No.	Parts No.	Names of parts	Ref. No.	Parts No.	Names of parts
1	657022002	Control panel	27	102160008	Set screw
1	657024004	Control panel for JCA	28	000111201	Hexagonal socket screw 4x4
2	630027004	Set screw	29	657606006	Stitch width regulator knob(unit)
3	657603003	Pattern selector knob (unit)	30	657007001	Knob (unit)
3	657603106	Pattern selector knob (unit) for Dorina	31	000004808	Spring pin 2x6
3	657608008	Pattern selector knob (unit) for JCA	32	657015002	Stitch width indicating plate
4	657007001	Dial knob	32	657026006	Stitch width indicating plate for JCA
5	000004808	Knob pin spring 2x6	33	000111201	Hexagonal socket screw 4x4
6	657008002	Pattern selector indicating plate	34	366043008	Knob pin
6	657008105	Pattern selector indicating plate for Dorina	35	693046004	Knob pin spring
6	657025005	Pattern selector indicating plate for JCA	36	627023000	Stitch width regulator knob stop index plate
7	000111201	Hexagonal socket screw 4x4	37	657010007	Flat head set screw
8	657009003	Pattern selector knob stop index plate	38	657016003	Holder plate for top cover
9	693091004	Flat head set screw	39	693091004	Flat head set screw
10	672158005	Plain washer	40	672158005	Plain washer
11	656106008	Pattern selector knob shaft	41	656017001	Stitch length panel
12	000002507	Snap ring E-4	42	000014007	Snap ring CS-4
13	657604004	Pattern selecting cam (unit)	43	000101507	+ binding head small screw 3.5x5
14	657011008	Pattern selecting cam			
15	627018002	Pattern width adjusting cam			
16	670047004	Flat head set screw			
17	627019003	Pattern selecting panel			
18	657012009	Pattern width adjusting cam spring			
19	628018005	Pattern width adjusting rod			
20	000111201	Hexagonal socket screw 4x4			
21	648034009	Dividing spring			
22	000101404	+ binding head small screw 4x6			
23	657605005	Buttonhole selecting cam (unit)			
24	657013000	Buttonhole selecting cam			
25	657014001	Stretch stitch selector cam			
26	678066003	Cam follower release cam ring			



Ref. No.	Parts No.	Names of parts
1	657017004	Stitch width knob shaft
2	672145009	Plain washer
3	000001506	Snap ring E-4(D)
4	657607007	Cam shaft (unit)
5	693025100	Cam shaft
6	611010005	Buttonhole feed connecting crank
7	589039008	Buttonhole feed adjusting screw
8	532126007	Nut
9	589040002	Buttonhole feed adjusting screw spring
10	560197006	Buttonhole feed adjusting screw spring holder
11	000071013	Small plain washer
12	000001207	Snap ring E-2.5
13	000014502	Snap ring G-8
14	657018005	Stretch stitch selector crank
15	693079006	Stretch stitch selector crank spring
16	648036001	Stretch stitch feed connecting crank
17	657019006	Stretch stitch feed connecting crank spring
18	000001506	Snap ring E-4(D)
19	368013005	Stretch stitch adjusting screw
20	656027004	Stretch stitch cam
21	645033009	Stitch pattern cam
22	000001702	Snap ring E-6(D)
23	693061108	Cam shaft holder
24	000101404	+ binding head small screw 4x6
25	657010007	Flat head set screw



Ref. No.	Parts No.	Names of parts
1	626074003	Timing belt
2	012790115	Motor (unit)
2	022690115	Motor (unit) for JE
2	022690218	Motor (unit) for Dorina
2	012790218	Motor (unit) for JCA
3	000101301	+ binding head small screw 5x10
4	611026004	Cord fixing metal
5	000101404	+ binding head small screw 4x6
6	626003012	Belt cover
7	000103510	+ binding head small screw 4x10
8	000101806	+ binding head small screw 4x16