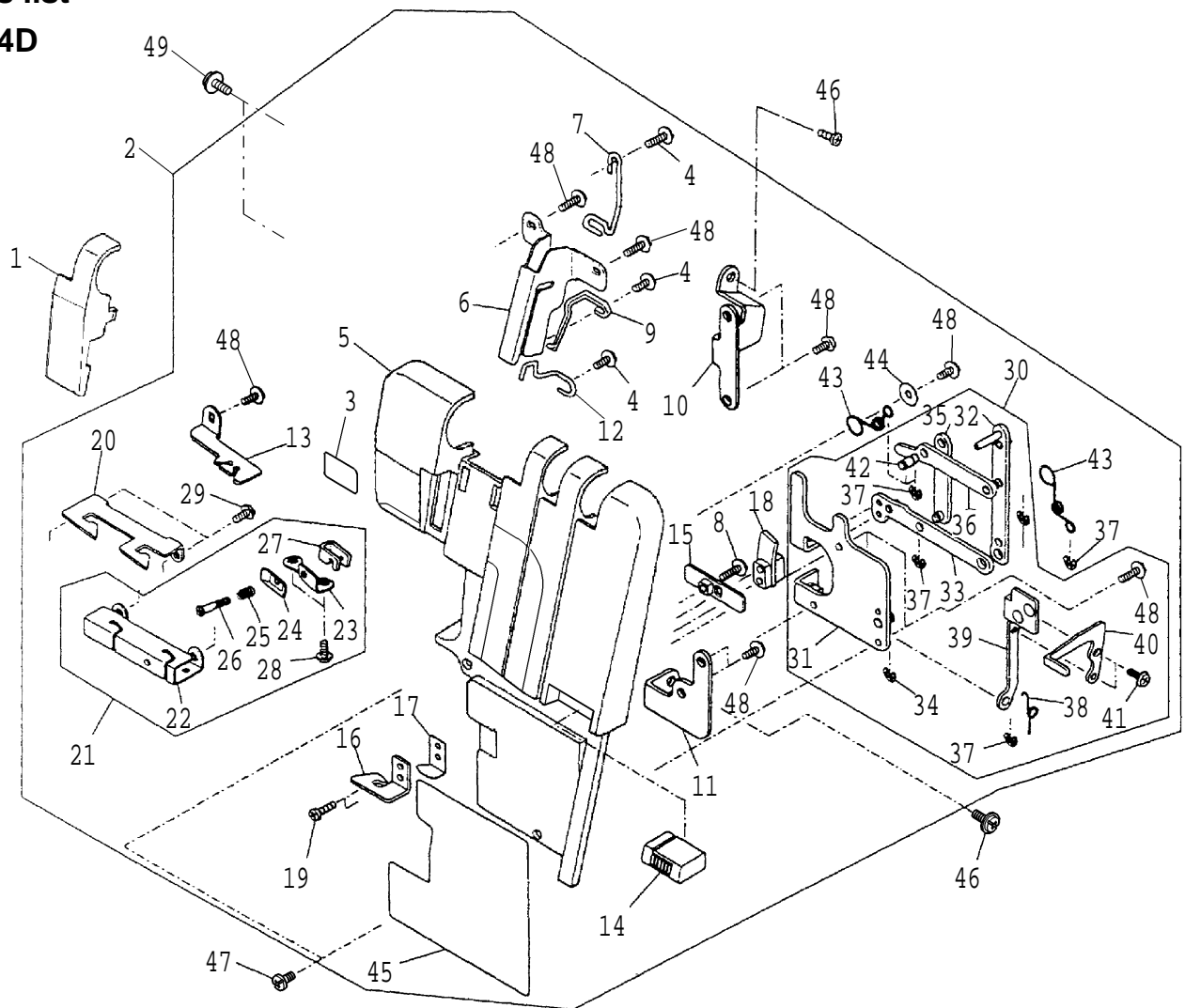


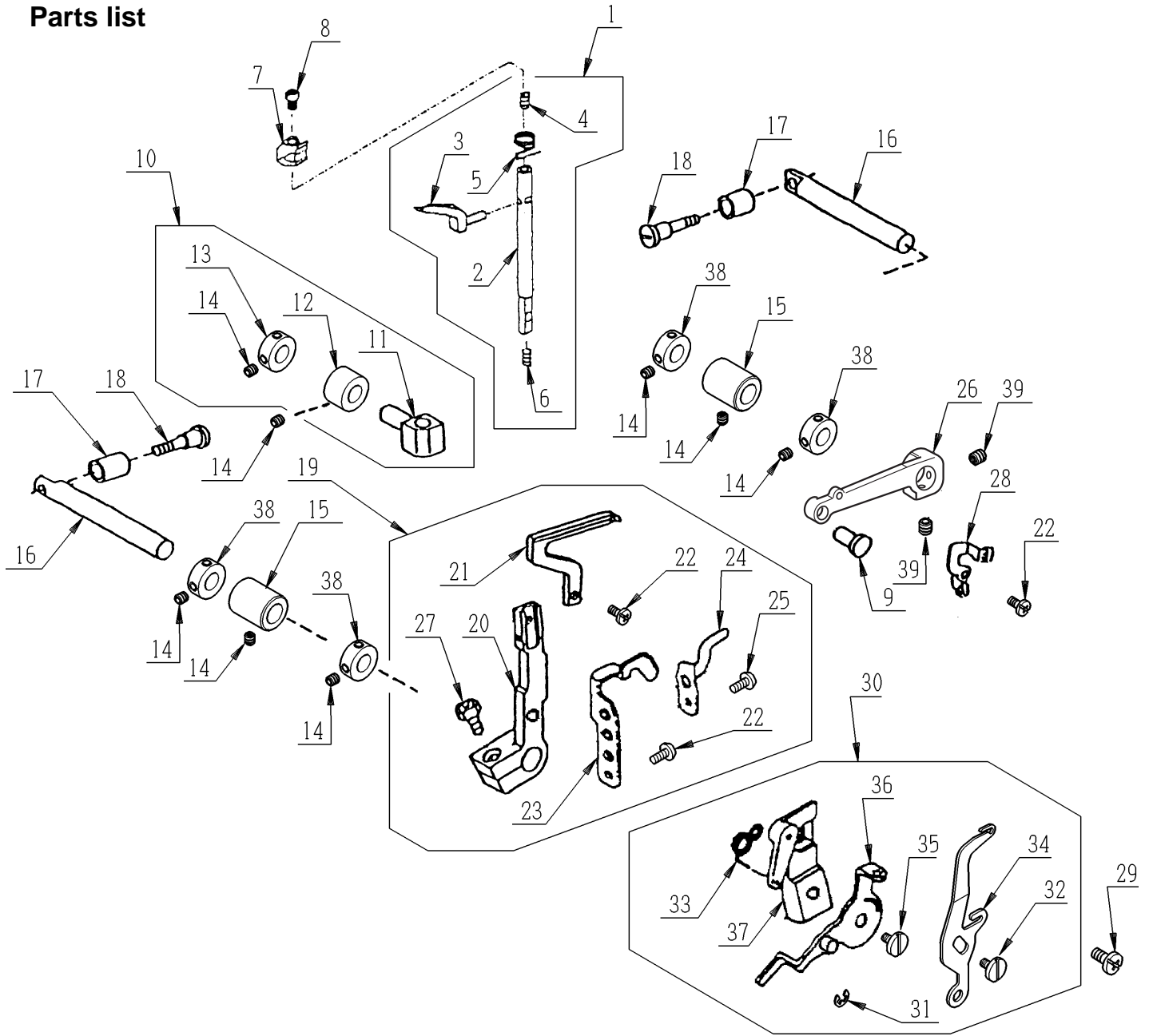
# Parts list

## M644D



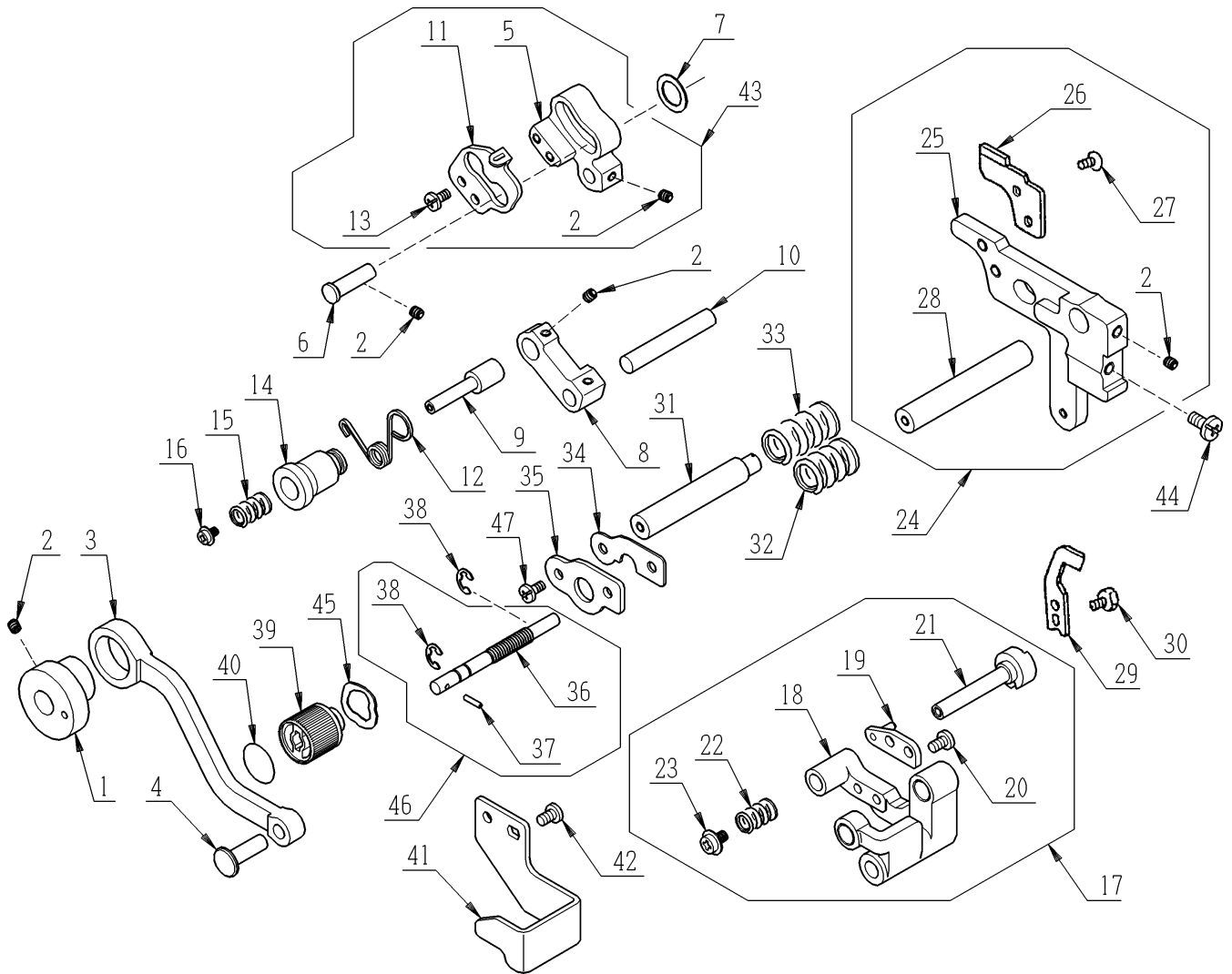
| No. | Part No.  | Part Name                            | No. | Part No.  | Part Name                             |
|-----|-----------|--------------------------------------|-----|-----------|---------------------------------------|
| 1   | 791004007 | Panel cover(2)                       | 25  | 788071005 | Sub thread tension spring             |
| 2   | 791619001 | Panel cover unit (JAI, JCA ,JA, JUK) | 26  | 788072006 | Thread tension screw                  |
|     | 791619012 | Panel cover unit (JEBV)              | 27  | 788092002 | Thread tension screw set plate        |
| 3   | 888261007 | Sticker (JAI, JCA, JA, JUK)          | 28  | 000101116 | Set screw 3x4                         |
|     | 888262008 | Sticker (JEBV)                       | 29  | 000078319 | Set screw 3x6                         |
| 4   | 000149301 | Set screw 3x8                        | 30  | 788616008 | Sub thread tension holding plate unit |
| 5   | 791030105 | Panel cover                          | 31  | 788074008 | Sub thread tension holding plate      |
| 6   | 788059007 | Thread take-up level cover           | 32  | 788075009 | Thread tension connecting link (1)    |
| 7   | 788115002 | Thread guide (L)                     | 33  | 788076000 | Thread tension connecting link (2)    |
| 8   | 000161206 | Set screw 3x10                       | 34  | 000002507 | Snap ring E-4                         |
| 9   | 788060001 | Thread guide (R)                     | 35  | 788077001 | Thread tension connecting link (3)    |
| 10  | 788105009 | Panel set Plate (R1)                 | 36  | 788096006 | Thread tension connecting link (4)    |
| 11  | 788106000 | Panel set Plate (R2)                 | 37  | 000002105 | Snap ring E-3                         |
| 12  | 788107001 | Needle thread guide (1)              | 38  | 788073007 | Thread tension release spring         |
| 13  | 788063004 | Needle thread guide (2)              | 39  | 788078002 | Thread tension release Plate (1)      |
| 14  | 788108105 | Slider                               | 40  | 788079003 | Thread tension release plate (2)      |
| 15  | 788065006 | Slider set plate                     | 41  | 000101105 | Set screw 3x4                         |
| 16  | 788066007 | Thread guide                         | 42  | 788080007 | Thread tension connecting pin         |
| 17  | 788094004 | Thread guide spring                  | 43  | 788081008 | Spring                                |
| 18  | 788067008 | Thread guide set plate               | 44  | 000070506 | Washer 4                              |
| 19  | 000104913 | Set screw 3x16                       | 45  | 791031003 | Threading chart                       |
| 20  | 788109003 | Looper thread guide (2)              | 46  | 000081005 | Set screw 4x8                         |
| 21  | 788615007 | Looper thread guide unit             | 47  | 000081016 | Set screw 4x8                         |
| 22  | 788068009 | Looper thread guide                  | 48  | 000120203 | Set screw 3x8                         |
| 23  | 788069000 | Sub thread tension set plate         | 49  | 000115607 | TP screw 4x8                          |
| 24  | 788070004 | Sub thread tension plate             |     |           |                                       |

# Parts list



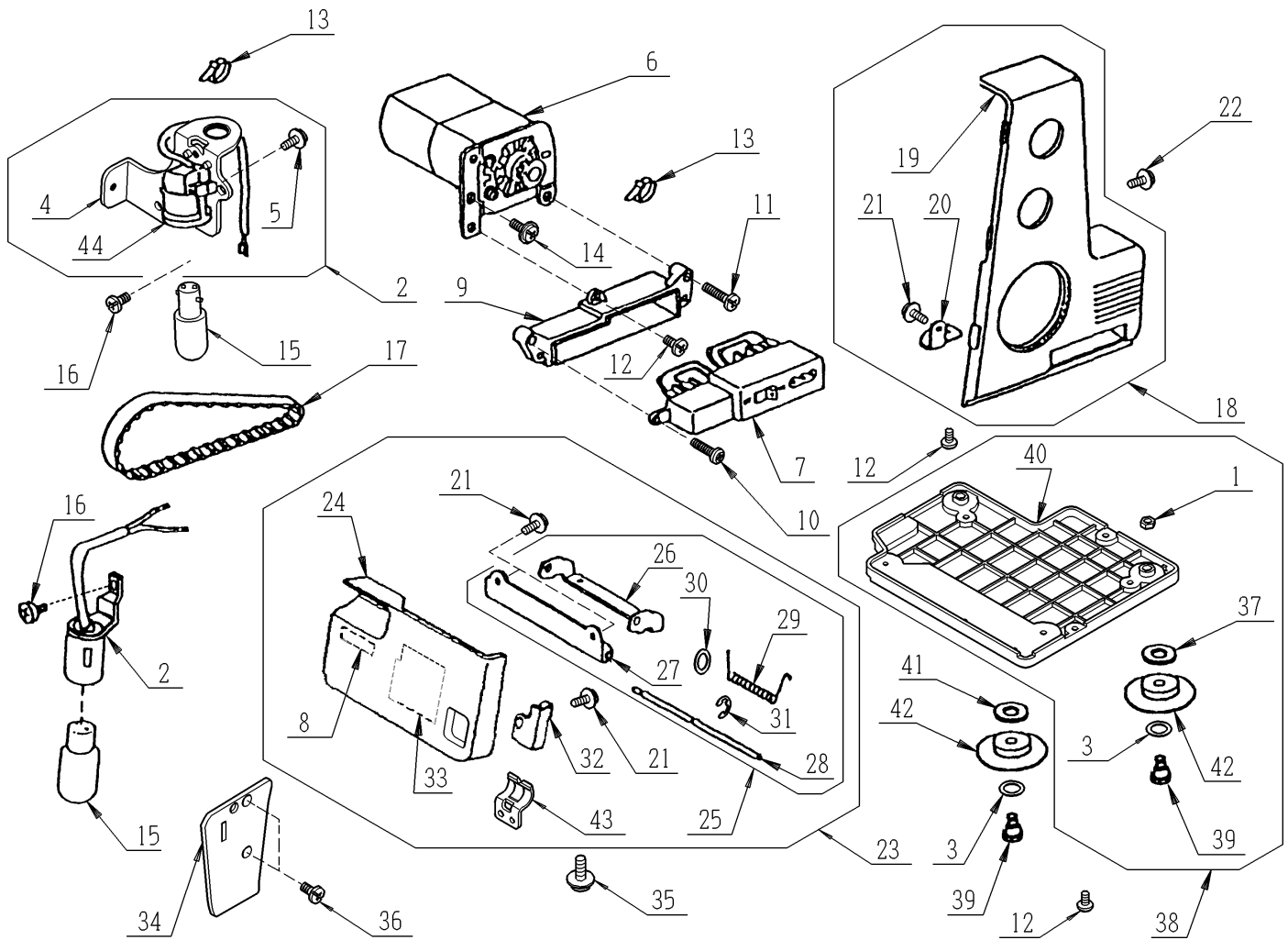
| No. | Part No.  | Part Name                     | No. | Part No.  | Part Name                   |
|-----|-----------|-------------------------------|-----|-----------|-----------------------------|
| 1   | 788609008 | Upper looper shaft unit       | 21  | 784083606 | Lower looper                |
| 2   | 788039001 | Upper looper shaft            | 22  | 000078320 | Set screw 3x6               |
| 3   | 784076019 | Upper looper                  | 23  | 788042007 | Rear needle guard           |
| 4   | 000112501 | H. socket screw 4x4           | 24  | 790008008 | Front needle guard          |
| 5   | 784077009 | Upper looper thread guide 3   | 25  | 000099006 | H.socket screw 3x4          |
| 6   | 000177205 | H. socket screw 3x6           | 26  | 789112002 | Upper looper waving arm     |
| 7   | 788040005 | Spreader base plate           | 27  | 000138008 | H.bolt 4x16                 |
| 8   | 788041006 | Set screw 4x6                 | 28  | 788038000 | Lower looper thread guide   |
| 9   | 789116006 | Upper looper pin              | 29  | 000101415 | Set screw 4x6               |
| 10  | 787619008 | Upper looper shaft guide unit | 30  | 790605001 | Thread guide supporter unit |
| 11  | 787112006 | Upper looper shaft guide      | 31  | 000002105 | Snap ring E-3               |
| 12  | 787113007 | Bushing                       | 32  | 788048003 | Hinge screw (2)             |
| 13  | 787106007 | Ring                          | 33  | 790012005 | Lower looper spring         |
| 14  | 000111201 | H.socket screw 4x4            | 34  | 790011107 | Looper thread guide(3)      |
| 15  | 787104005 | Bushing                       | 35  | 788047002 | Hinge screw (1)             |
| 16  | 787105006 | Upper looper crank shaft      | 36  | 790010106 | Looper thread guide (2)     |
| 17  | 787107008 | Crank spacer                  | 37  | 790009009 | Thread guide supporter      |
| 18  | 787108009 | Crank set screw               | 38  | 820166001 | Ring                        |
| 19  | 788610208 | Lower looper unit             | 39  | 000111304 | H. socket screw 5x5         |
| 20  | 785024107 | Lower looper base(2)          |     |           |                             |

## Parts list



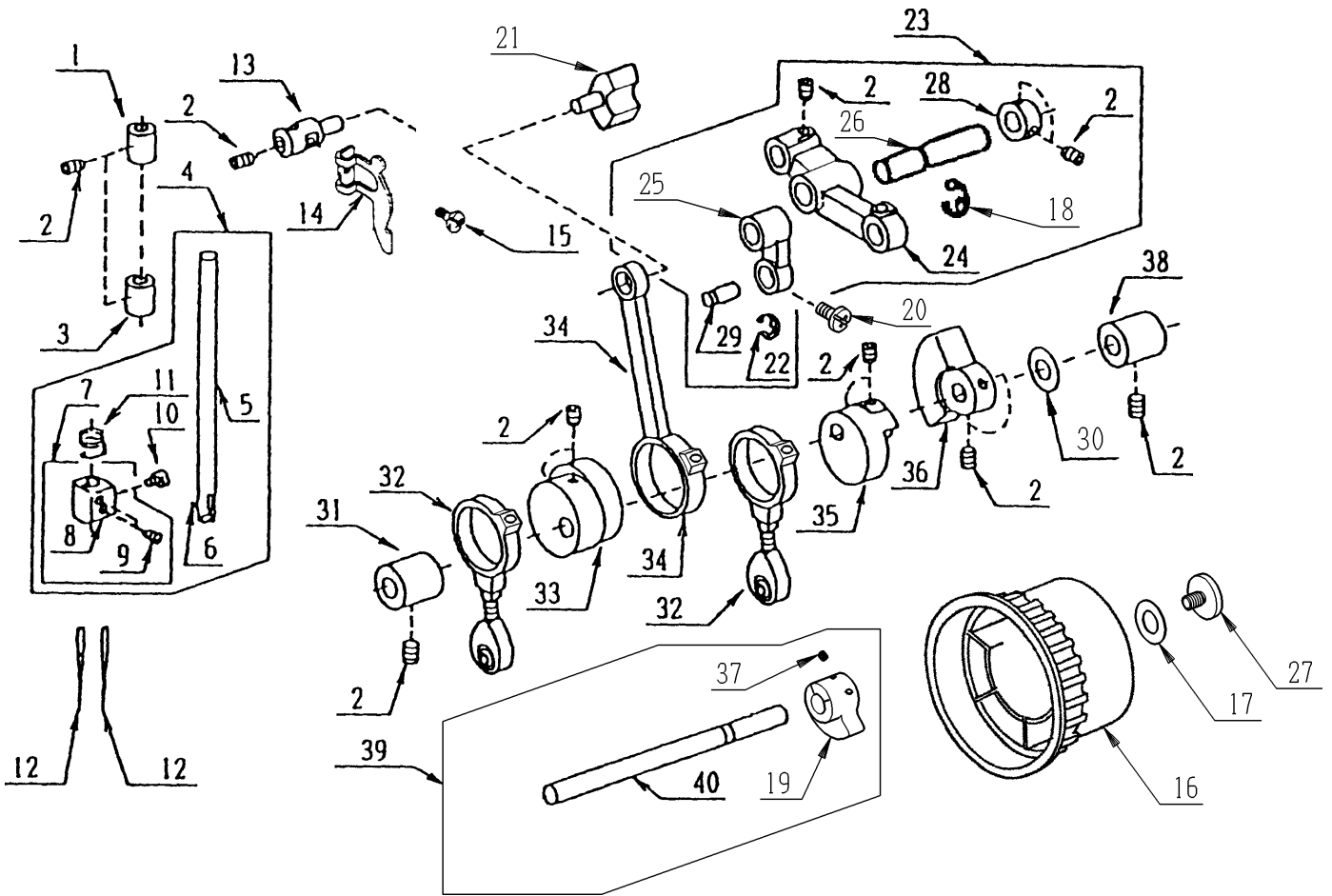
| No. | Part No.  | Part Name                  | No. | Part No.  | Part Name                 |
|-----|-----------|----------------------------|-----|-----------|---------------------------|
| 1   | 888040008 | Upper knife drive cam      | 25  | 790004004 | Lower knife bracket       |
| 2   | 000111201 | H. socket screw 4x4        | 26  | 788013009 | Lower knife               |
| 3   | 790002002 | Upper knife connecting rod | 27  | 000102221 | Set screw 4x6             |
| 4   | 888100007 | Pin                        | 28  | 888058009 | Upper knife shaft         |
| 5   | 888042000 | Upper knife bracket        | 29  | 790005005 | Upper knife               |
| 6   | 888043001 | Pin                        | 30  | 624303008 | H. bolt 4x6               |
| 7   | 000038502 | Washer 8x0.5               | 31  | 888059000 | Lower knife bracket shaft |
| 8   | 888044002 | Upper knife rink           | 32  | 790022008 | Spring (R)                |
| 9   | 888045003 | Upper knife pin            | 33  | 888231008 | Spring (L)                |
| 10  | 888046004 | Upper knife rink pin       | 34  | 888061005 | Guide plate               |
| 11  | 888047005 | Arm press plate            | 35  | 888062006 | Support plate             |
| 12  | 888065009 | Upper knife spring         | 36  | 790006006 | Lower knife pin           |
| 13  | 000081016 | Set screw 4x8              | 37  | 000003508 | Pin 2x8                   |
| 14  | 888048006 | Upper knife knob           | 38  | 000002105 | Snap ring E-3             |
| 15  | 888049007 | Spring                     | 39  | 888064008 | Lower knife knob          |
| 16  | 000114709 | Set screw 3x5              | 40  | 888207005 | Sticker                   |
| 17  | 790601007 | Upper knife drive arm unit | 41  | 790017000 | Setting plate             |
| 18  | 790003003 | Upper knife drive arm      | 42  | 000081005 | Set screw 4x8             |
| 19  | 784041004 | Upper knife guide          | 43  | 888662002 | Upper knife bracket unit  |
| 20  | 810220106 | Set screw 4x6.5            | 44  | 000081016 | Set screw 4x8             |
| 21  | 888054005 | Upper knife supporter      | 45  | 000116701 | Washer                    |
| 22  | 784043006 | Spring                     | 46  | 790603009 | Lower knife pin unit      |
| 23  | 000115205 | Set screw 4x5              | 47  | 000069605 | Set screw 4x8             |
| 24  | 790602008 | Lower knife bracket unit   |     |           |                           |

## Parts list



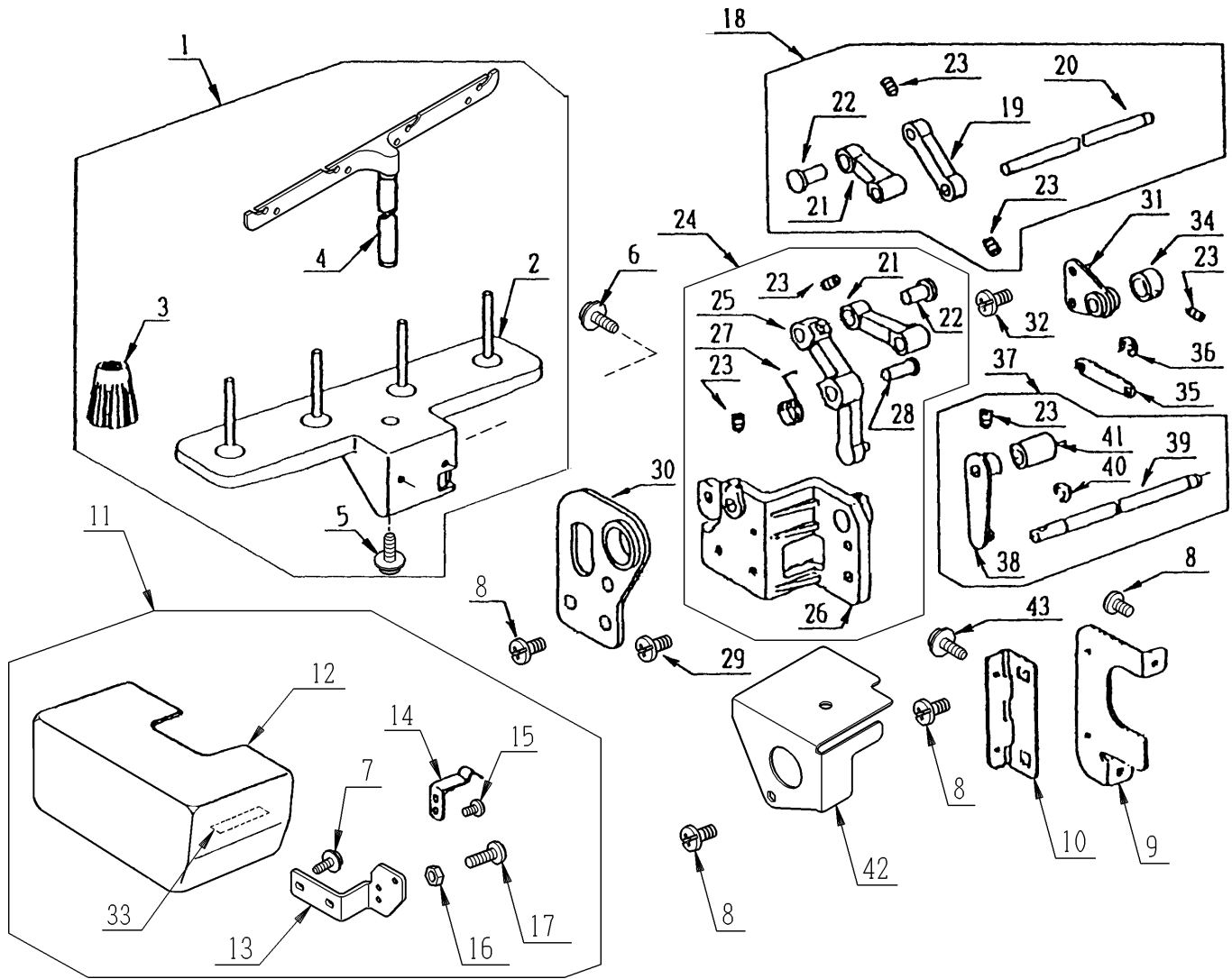
| No. | Part No.  | Part Name                             | No. | Part No.  | Part Name                         |
|-----|-----------|---------------------------------------|-----|-----------|-----------------------------------|
| 1   | 000061205 | Nut 4-3-7                             | 20  | 787158004 | Belt cover set plate              |
| 2   | 791620005 | Lamp socket com. unit (JA, JUK, JEBV) | 21  | 000149301 | Tapping screw 3x8 (B)             |
|     | 787633008 | Lamp socket com. unit (JCA)           | 22  | 000115618 | TP screw 4x8                      |
|     | 787510008 | Lamp socket com. unit (JAI)           | 23  | 791603323 | Looper cover unit (JAI)           |
| 3   | 000070300 | Washer                                |     | 791603345 | Looper cover unit (JCA)           |
| 4   | 789105002 | Lamp socket set plate                 |     | 791603334 | Looper cover unit (JA, JUK, JEBV) |
| 5   | 000120203 | Tapping screw 3x8 (B)                 | 24  | 791005226 | Looper cover                      |
| 6   | M-1049A   | Motor unit (JAI)                      | 25  | 787626101 | Looper cover hinge unit           |
|     | M-1031A   | Moter unit (JCA)                      | 26  | 787151007 | Looper cover supporter            |
|     | M-2093A   | Moter unit (JA, JUK)                  | 27  | 788117004 | Looper cover hinge                |
|     | M-2042A   | Moter unit (JEBV)                     | 28  | 784121010 | Looper cover shaft                |
| 7   | 777502006 | Plug con. rec. unit (220~240V)        | 29  | 784122000 | Looper cover spring               |
|     | 777504008 | Plug con. rec. unit (120V)            | 30  | 000071013 | Washer 4                          |
| 8   | 100045000 | Caution sticker (JCA)                 | 31  | 000002105 | Snap ring E-3                     |
|     | 830312016 | Caution sticker (JAI)                 | 32  | 787304007 | Looper cover stopper              |
| 9   | 784128028 | Plug con. receptacle cover            | 33  | 789028000 | Sticker                           |
| 10  | 000121905 | Tapping screw 4x12 (B)                | 34  | 790016009 | Looper cover guide                |
| 11  | 000104108 | Set screw 4x20                        | 35  | 000115205 | TP screw 4x6                      |
| 12  | 000081005 | Set screw 4x8                         | 36  | 000078320 | Set screw 3x6                     |
| 13  | 000053008 | Binder                                | 37  | 787204006 | Washer (2)                        |
| 14  | 000115504 | TP screw 5x10                         | 38  | 789610005 | Base plate unit                   |
| 15  | 000009009 | Lamp 240V 15WBA15D (220~240V)         | 39  | 784169009 | Hinge screw                       |
|     | 000009803 | Lamp 120V 15W (120V)                  | 40  | 789025007 | Base plate                        |
| 16  | 000101404 | Set screw 4x6                         | 41  | 785260004 | Washer                            |
| 17  | 784124002 | Timing belt                           | 42  | 784135006 | Rubber cushion                    |
| 18  | 787660004 | Belt cover unit                       | 43  | 790014007 | Holder                            |
| 19  | 787310109 | Belt cover                            | 44  | 655681434 | Lamp socket com. unit             |

# Parts list



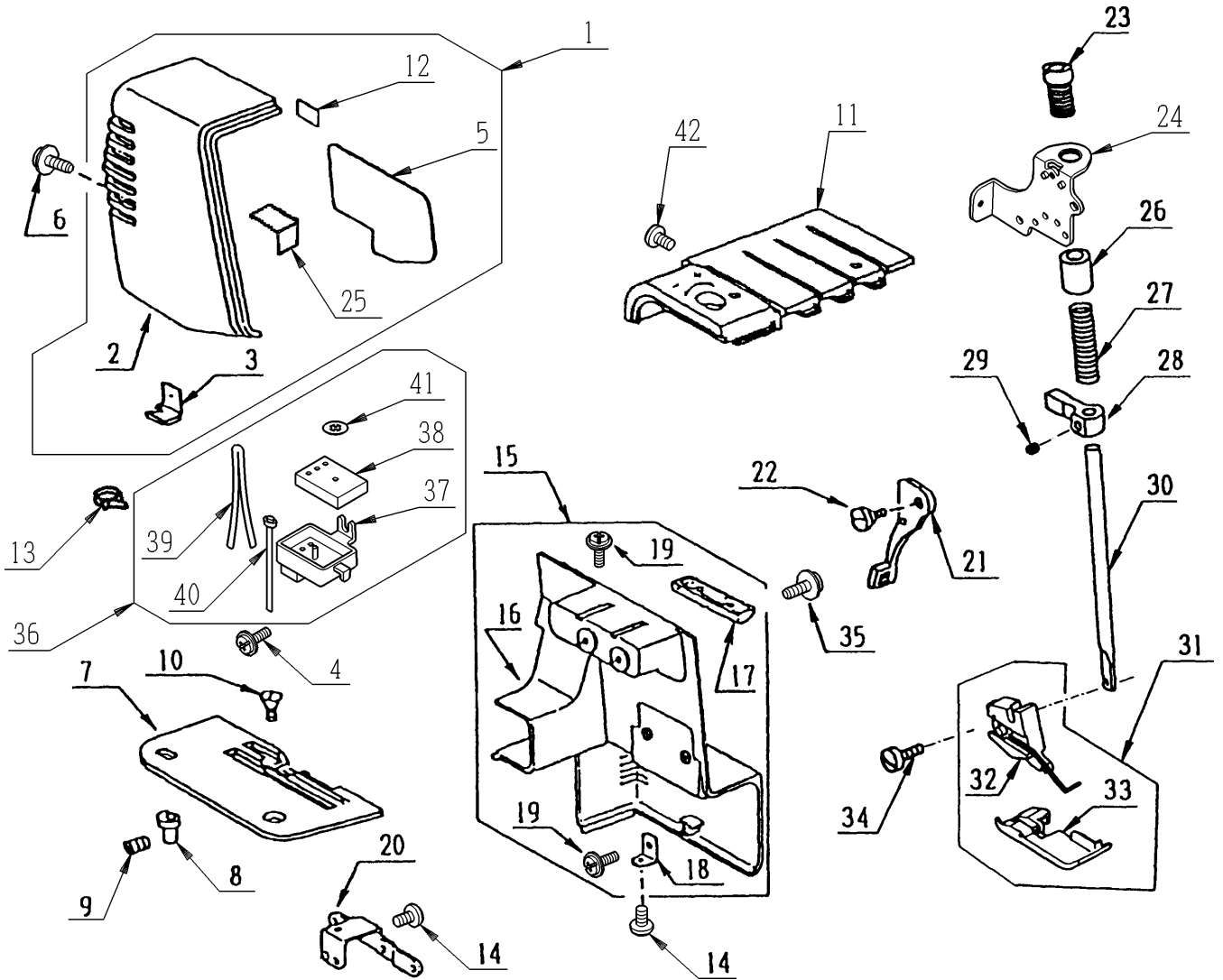
| No. | Part No.  | Part Name                | No. | Part No.  | Part Name              |
|-----|-----------|--------------------------|-----|-----------|------------------------|
| 1   | 784027004 | Needle bar upper bushing | 21  | 789103000 | Needle bar balancer    |
| 2   | 000111201 | H. socket screw 4x4      | 22  | 000001609 | Snap ring E-5          |
| 3   | 784028005 | Needle bar lower bushing | 23  | 789612007 | Needle bar crank unit  |
| 4   | 787606002 | Needle bar unit          | 24  | 789104001 | Needle bar crank       |
| 5   | 787015008 | Needle bar               | 25  | 789007003 | Needle bar link        |
| 6   | 000022307 | Spring pin 1.6x8         | 26  | 789008004 | Needle bar crank shaft |
| 7   | 785557001 | Needle clamp screw unit  | 27  | 618070004 | Screw                  |
| 8   | 785004020 | Needle clamp             | 28  | 624245001 | Ring                   |
| 9   | 785008024 | Needle clamp screw       | 29  | 784022009 | Link pin               |
| 10  | 785026017 | Needle clamp set screw   | 30  | 000038605 | Washer 10x0.5          |
| 11  | 785009003 | Needle bar thread guide  | 31  | 789002008 | Bushing                |
| 12  | 784157015 | Needle HAx1 SP-14        | 32  | 784602102 | Looper cam ring unit   |
| 13  | 784024001 | Needle bar bracket       | 33  | 787007100 | Needle bar cam         |
| 14  | 788004007 | Take-up lever            | 34  | 789004000 | Needle bar crank rod   |
| 15  | 000078319 | Set screw 3x6            | 35  | 787004107 | Upper looper cam       |
| 16  | 784019302 | Handwheel                | 36  | 888012001 | Balance weight         |
| 17  | 556047007 | Washer                   | 37  | 000111304 | H. socket screw 5x5    |
| 18  | 000002909 | Snapping E-7             | 38  | 789003009 | Bushing                |
| 19  | 789101008 | Balance weight           | 39  | 789611006 | Main shaft unit        |
| 20  | 000101703 | Set screw 4x12           | 40  | 789001007 | Main shaft             |

# Parts list



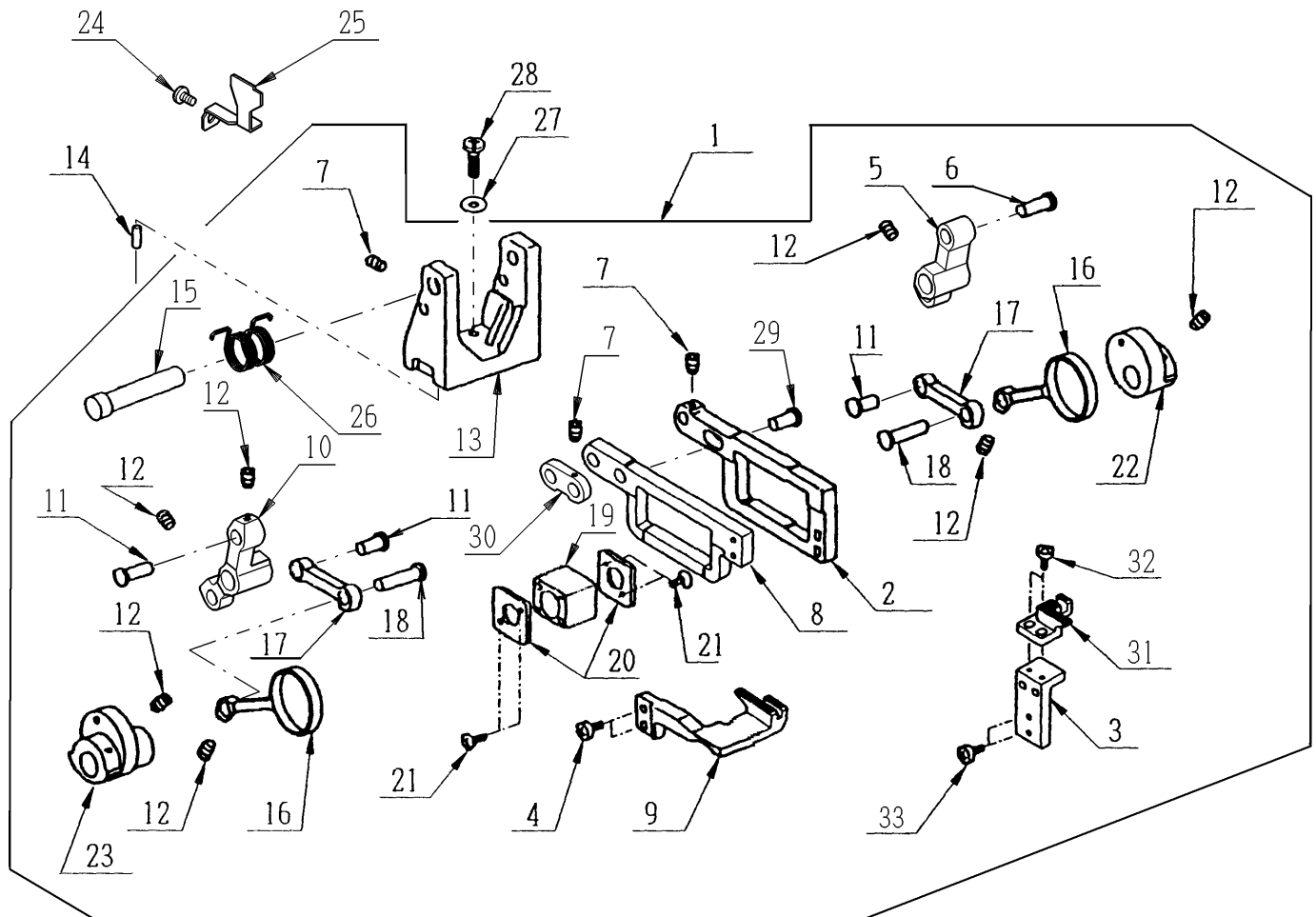
| No. | Part No.  | Part Name                       | No. | Part No.  | Part Name                 |
|-----|-----------|---------------------------------|-----|-----------|---------------------------|
| 1   | 789606008 | Spool stand unit                | 22  | 787195003 | Feed connecting pin       |
| 2   | 777011003 | Spool stand                     | 23  | 000111201 | H. socket screw 4x4       |
| 3   | 784223105 | Spool holder                    | 24  | 787656007 | Feed adjusting base unit  |
| 4   | 789607009 | Thread guide bar unit           | 25  | 787194002 | Sub feed connecting arm 3 |
| 5   | 000115700 | TP screw 4x10                   | 26  | 787074005 | Feed adjusting base       |
| 6   | 000114802 | TP screw 4x12                   | 27  | 787301004 | Con. arm spring           |
| 7   | 000149301 | Tapping screw 3x8 (B)           | 28  | 787076007 | Con. arm pin              |
| 8   | 000081005 | Set screw 4x8                   | 29  | 000103509 | Set screw 4x10            |
| 9   | 787165004 | Side cover hinge base           | 30  | 787354002 | Main shaft set plate (C)  |
| 10  | 787507002 | Side cover hinge unit           | 31  | 787077008 | Con. arm support          |
| 11  | 790608107 | Side cover unit (JAI)           | 32  | 810220003 | Set screw 4x6.5           |
|     | 790608200 | Side cover unit (JCA)           | 33  | 100045000 | Caution sticker (JCA)     |
|     | 790608303 | Side cover unit (JA, JUK, JEBV) |     | 830312016 | Caution sticker (JAI)     |
| 12  | 790018001 | Side cover                      | 34  | 650136009 | Ring                      |
| 13  | 790019002 | Side cover spring base          | 35  | 787081005 | Feed con. arm link        |
| 14  | 787163002 | Side cover spring               | 36  | 000002105 | Snap ring E-3             |
| 15  | 000103808 | Set screw 3x5                   | 37  | 787655109 | S.feed con. arm B unit    |
| 16  | 000160009 | Adjustable unit 3               | 38  | 787193001 | S.feed con. arm 2         |
| 17  | 000104902 | Set screw 3x16                  | 39  | 787270003 | S.feed con. shaft B       |
| 18  | 787637002 | Main feed con. arm 2 unit       | 40  | 000001609 | Snap ring E-5             |
| 19  | 787197005 | Main feed con. arm 2            | 41  | 625144002 | F. shaft front bushing    |
| 20  | 787198006 | Main feed con. shaft            | 42  | 789030005 | Feed bar cover            |
| 21  | 787067005 | Feed link                       | 43  | 000115618 | TP screw 4x8              |

# Parts list



| No. | Part No.  | Part Name                        | No. | Part No.  | Part Name                 |
|-----|-----------|----------------------------------|-----|-----------|---------------------------|
| 1   | 791601000 | Face plate unit                  | 22  | 810431009 | Hinge screw               |
|     | 791601103 | Face plate unit (JCA, JUK, JEBV) | 23  | 777013005 | Presser adjusting screw   |
| 2   | 791007000 | Face plate                       | 24  | 789105002 | Set plate                 |
| 3   | 840602006 | Thread cutter unit               | 25  | 787382009 | Sticker                   |
| 4   | 000115607 | TP screw 4x8                     | 26  | 777002001 | Bushing                   |
| 5   | 787031000 | Sticker                          | 27  | 787020006 | Presser bar spring        |
| 6   | 000115700 | TP screw 4x10                    | 28  | 789117007 | Presser bar bracket       |
| 7   | 788601000 | Needle plate unit                | 29  | 000111304 | H. socket screw 5x5       |
| 8   | 789100007 | Eccentric pin                    | 30  | 787019002 | Presser bar               |
| 9   | 000111902 | H. socket screw 3x4              | 31  | 788501009 | Presser foot              |
| 10  | 681009101 | Plain head screw                 | 32  | 787541008 | Foot holder unit          |
| 11  | 788113206 | Top cover                        | 33  | 788502000 | Presser foot (lower) unit |
| 12  | 100411104 | Sticker                          | 34  | 763048005 | Set screw                 |
| 13  | 000053101 | Binder                           | 35  | 000115618 | TP screw 4x8              |
| 14  | 000081005 | Set screw 4x8                    | 36  | 789602004 | Oil case unit             |
| 15  | 787648109 | Rear cover unit                  | 37  | 789005001 | Oil case                  |
| 16  | 787293208 | Rear cover                       | 38  | 789006002 | Felt                      |
| 17  | 787173005 | Finger base plate                | 39  | 763033307 | Strings                   |
| 18  | 787174006 | Rear cover set plate             | 40  | 763033204 | Strings                   |
| 19  | 000149301 | Tapping screw 3x8 (B)            | 41  | 000014007 | Snap ring CS-4            |
| 20  | 787294106 | Rear cover set plate             | 42  | 000081016 | Set screw 4x8             |
| 21  | 650032015 | Presser bar lifter               |     |           |                           |

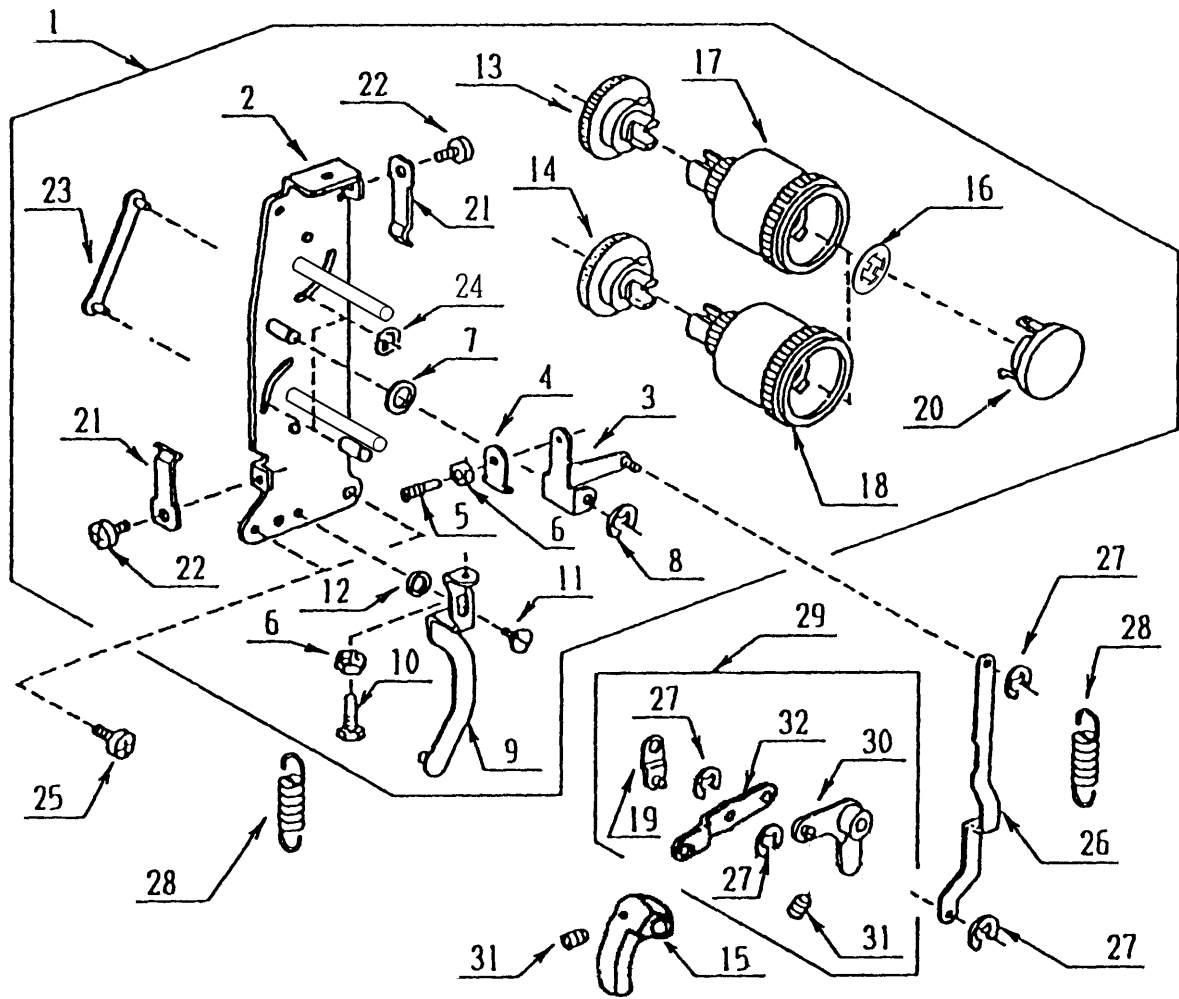
## Parts list



| No. | Part No.  | Part Name               | No. | Part No.  | Part Name           |
|-----|-----------|-------------------------|-----|-----------|---------------------|
| 1   | 789604006 | Feed bar unit           | 18  | 787068006 | Pin                 |
| 2   | 788022001 | Main feed bar           | 19  | 789016005 | Block               |
| 3   | 788023002 | Main feed dog bracket   | 20  | 787071002 | Set plate           |
| 4   | 000104201 | Set screw 3.5x10        | 21  | 787189004 | Set screw 2.6x5     |
| 5   | 787054009 | Main feed bar drive arm | 22  | 787072003 | Main feed drive cam |
| 6   | 789013002 | Pin                     | 23  | 787073004 | Sub feed drive cam  |
| 7   | 000111902 | H. socket screw 3x4     | 24  | 000101404 | Set screw 4x6       |
| 8   | 789011000 | Sub feed bar            | 25  | 789019008 | Set plate           |
| 9   | 789018007 | Sub feed dog            | 26  | 789015004 | Drive arm spring    |
| 10  | 789010009 | Sub feed drive arm      | 27  | 000070506 | Washer 4            |
| 11  | 787059004 | Pin                     | 28  | 000101817 | Set screw 4x16      |
| 12  | 000111201 | H. socket screw 4x4     | 29  | 888100007 | Pin                 |
| 13  | 787305101 | Feed bar bracket        | 30  | 789012001 | Sub feed link       |
| 14  | 000122803 | Pin                     | 31  | 788027006 | Main feed dog       |
| 15  | 787306009 | Feed bar pin            | 32  | 000066705 | Set screw 3x8       |
| 16  | 787065003 | Feed bar link           | 33  | 000068811 | Set screw 3.5x10    |
| 17  | 787066004 | Feed rocking link       |     |           |                     |

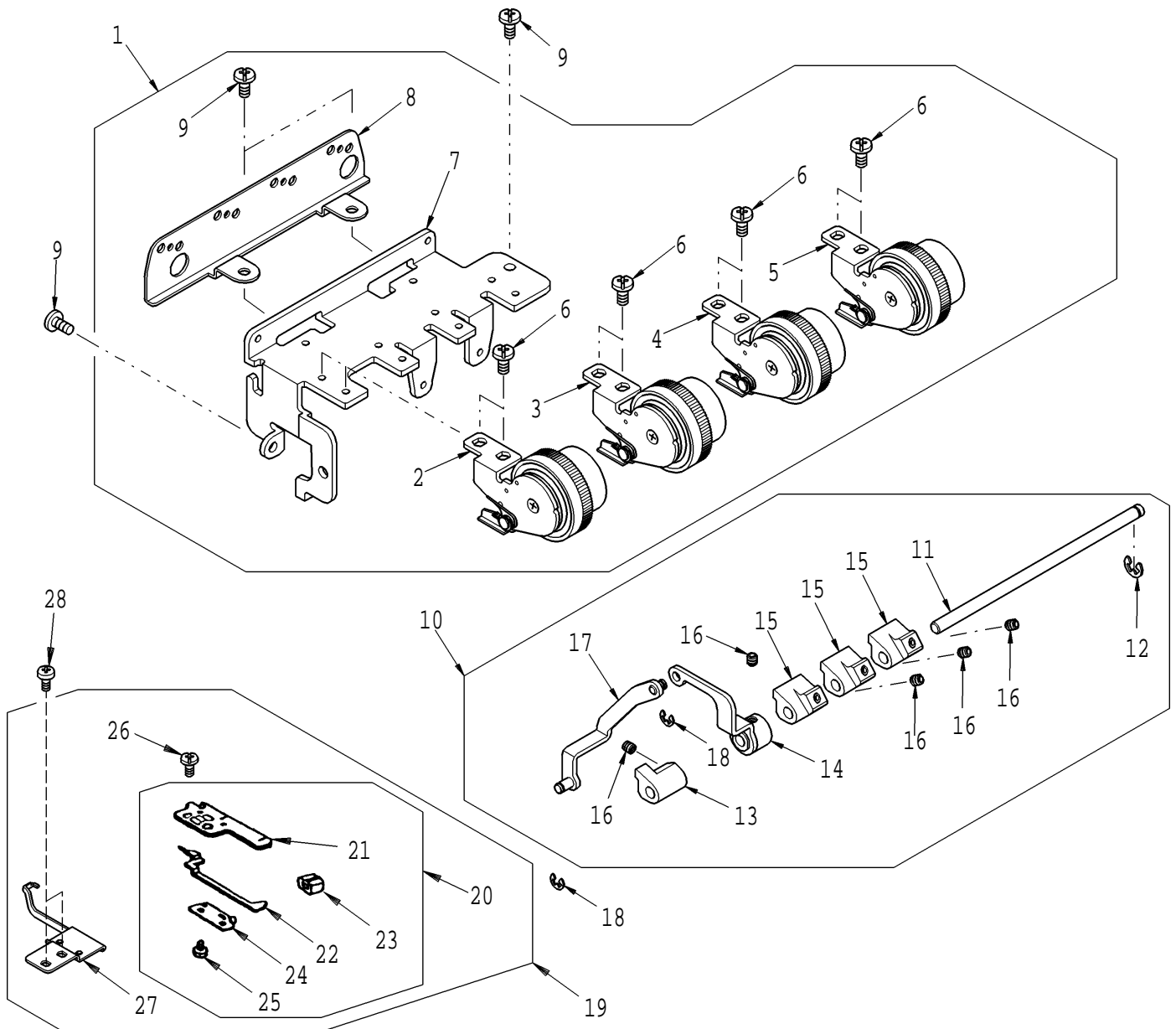


# Parts list



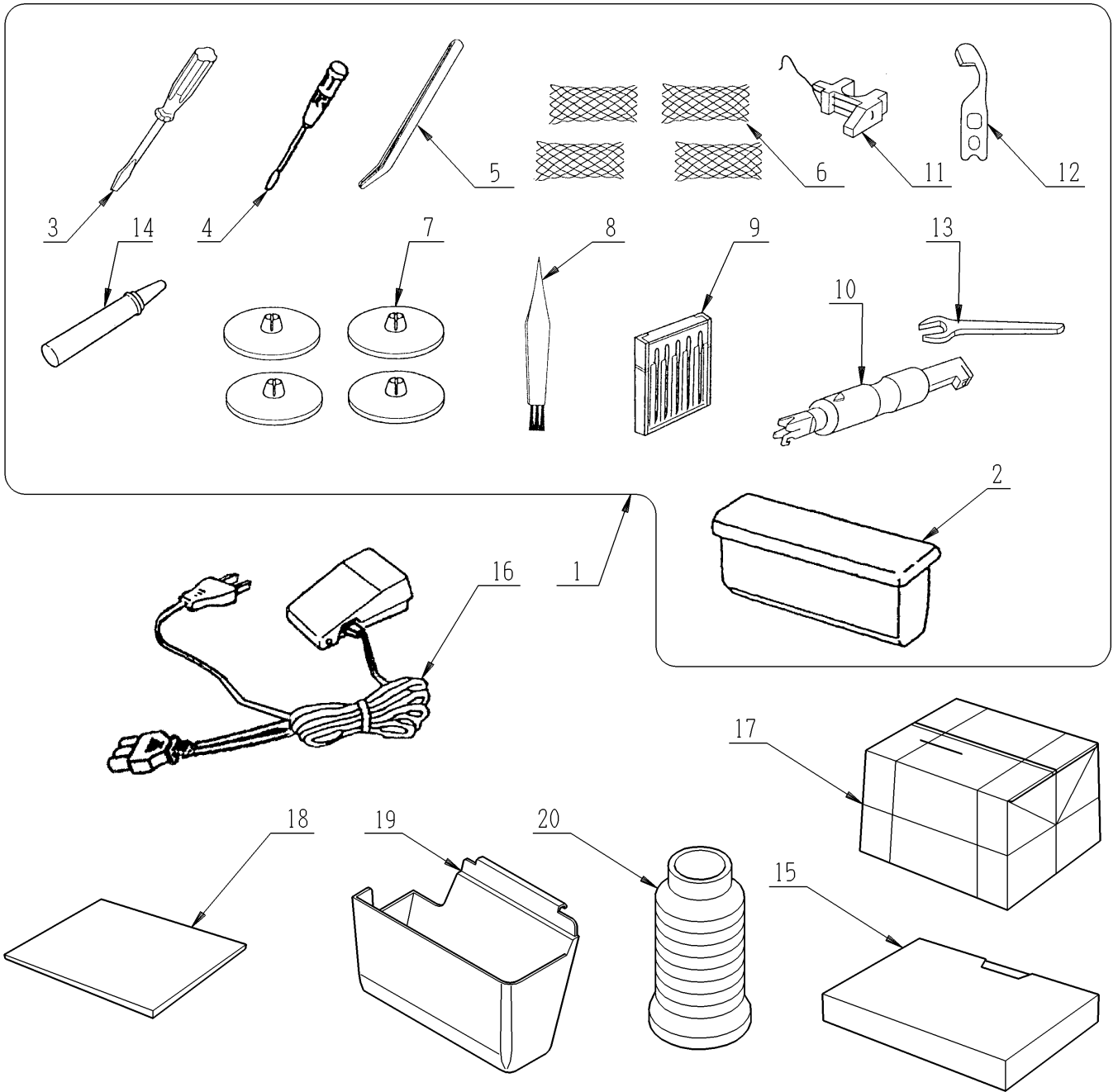
| No. | Part No.  | Part Name          | No. | Part No.  | Part Name              |
|-----|-----------|--------------------|-----|-----------|------------------------|
| 1   | 791618011 | Feed adjuster unit | 17  | 787261702 | S. length dial         |
| 2   | 789031006 | Set plate          | 18  | 787261126 | Dif. feed dial         |
| 3   | 787089003 | Feed adjuster arm  | 19  | 788031003 | Dif. feed transfer arm |
| 4   | 785156006 | Set plate          | 20  | 787262301 | Dial cap               |
| 5   | 652056000 | Adjustable screw   | 21  | 787263003 | Spring                 |
| 6   | 000160102 | Adjustable nut     | 22  | 000081119 | Set screw 4x6          |
| 7   | 000036500 | Washer             | 23  | 788037009 | Link                   |
| 8   | 000001609 | Snap ring E-5      | 24  | 000014306 | Snap ring CS-3         |
| 9   | 787264004 | Differential rod   | 25  | 000081005 | Set screw 4x8          |
| 10  | 785224006 | Adjustable screw   | 26  | 787102003 | Feed rod               |
| 11  | 785286006 | Hinge screw        | 27  | 000002105 | Snap ring E-3          |
| 12  | 785222004 | Set plate          | 28  | 787259006 | Spring                 |
| 13  | 787091008 | S. length adj. cam | 29  | 788607006 | M. feed con. arm unit  |
| 14  | 788036008 | Dif. feed adj. cam | 30  | 788029008 | M. feed con. arm       |
| 15  | 788032004 | Sub feed con. arm  | 31  | 000111201 | H. socket screw 4x4    |
| 16  | 000013800 | Snap ring CS-6     | 32  | 788030002 | Feed con. plate        |

## Parts list



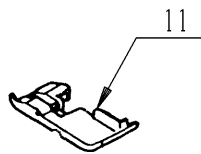
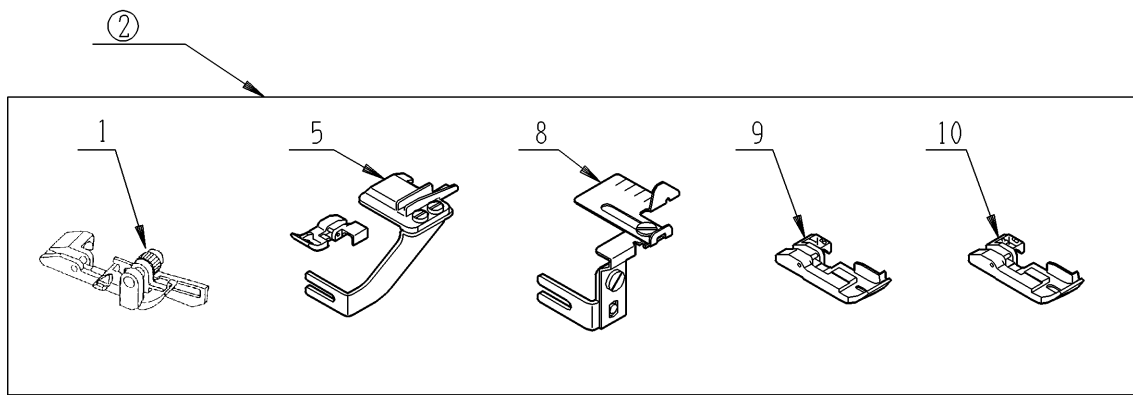
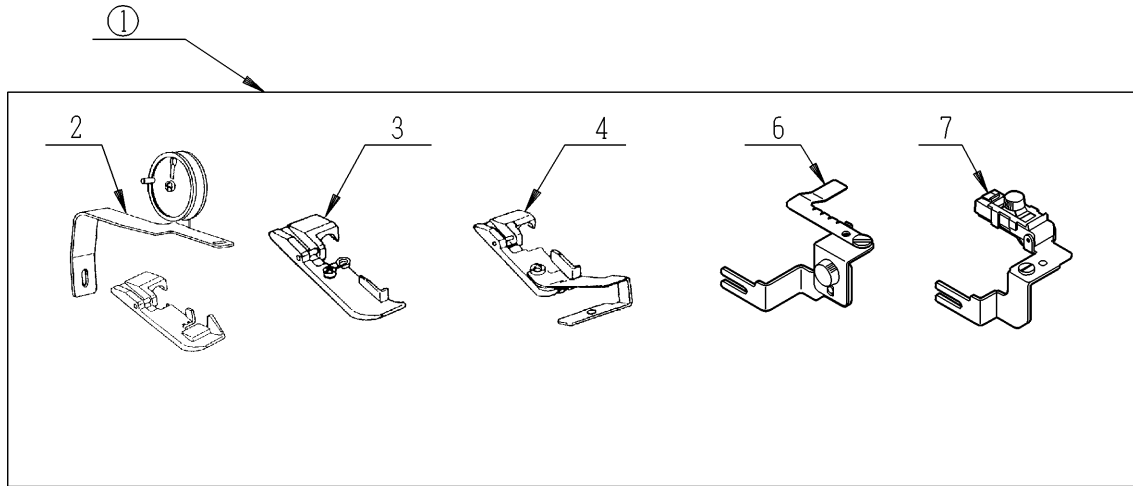
| No. | Part No.  | Part Name                         | No. | Part No.  | Part Name                    |
|-----|-----------|-----------------------------------|-----|-----------|------------------------------|
| 1   | 788612004 | Thread tension set plate unit     | 15  | 788095005 | Cam ring (2)                 |
| 2   | 788503001 | Needle thread tension (L) unit    | 16  | 000111201 | H. socket screw 4x4          |
| 3   | 788504002 | Needle thread tension (R) unit    | 17  | 788089005 | Thread releasing lever       |
| 4   | 788505003 | Looper thread tension (U) unit    | 18  | 000002105 | Snap ring E-3                |
| 5   | 788506004 | Looper thread tension (L) unit    | 19  | 789613008 | Chaining finger bracket unit |
| 6   | 000081005 | Set screw 4x8                     | 20  | 788605004 | Chaining finger unit         |
| 7   | 788049004 | Thread tension set plate          | 21  | 789106003 | Chaining finger set plate    |
| 8   | 787129006 | Thread guide                      | 22  | 788017003 | Chaining finger              |
| 9   | 000101404 | Set screw 4x6                     | 23  | 787041003 | Needle plate setting knob    |
| 10  | 788613005 | Thread tension release shaft unit | 24  | 788018004 | Chaining finger spring       |
| 11  | 788054002 | Thread tension release shaft      | 25  | 000074603 | Set screw 2x4-2              |
| 12  | 000002507 | Snap ring E-4                     | 26  | 000078320 | Set screw 3x6                |
| 13  | 788056004 | Cam ring                          | 27  | 790007007 | Fixed needle guard           |
| 14  | 788055003 | Thread tension release lever      | 28  | 000107101 | Set screw 3x6                |

# Parts list



| No. | Part No.  | Part Name            | No. | Part No.  | Part Name                   |
|-----|-----------|----------------------|-----|-----------|-----------------------------|
| 1   | 791828005 | Accessory unit       | 13  | 784809008 | Spanner (wrench)            |
| 2   | 787805003 | Accessory box        | 14  | 741814003 | Oil                         |
| 3   | 784810002 | Screw driver (large) | 15  | 791831001 | Video (PAL)                 |
| 4   | 647803004 | Screw driver (small) |     | 791830000 | Video (NTSC)                |
| 5   | 624801001 | Tweezers             | 16  | C-1028    | Speed controller (JAI, JCA) |
| 6   | 624806006 | Net                  |     | C-2030    | Speed controller (JA)       |
| 7   | 822020503 | Spool cap            |     | C-2048    | Speed controller (JUK)      |
| 8   | 802424004 | Lint brush           |     | C-2038-1  | Speed controller (JEBV)     |
| 9   | 784860100 | Needle set           | 17  | 785808000 | Cover                       |
| 10  | 200254502 | Needle threader      | 18  | 791829006 | Instruction book (E/F/S)    |
| 11  | 788618000 | Spreader             | 19  | 791006227 | Waste catcher               |
| 12  | 790005005 | Upper knife          | 20  | 777812002 | Thread #60 200m             |

## Optional Parts list



| No. | Part No.  | Part Name                    |
|-----|-----------|------------------------------|
| ①   | 200234104 | Attachment set A             |
| ②   | 200235105 | Attachment set B             |
| 1   | 200203104 | Blind stitch foot            |
| 2   | 200204208 | Taping foot with tape reel   |
| 3   | 200207108 | Cording foot (1)             |
| 4   | 200208109 | Cording foot (2)             |
| 5   | 200214108 | Beading attachment           |
| 6   | 200217101 | Gathering attachment         |
| 7   | 200218102 | Elastic gathering attachment |
| 8   | 200216100 | Clothguide                   |
| 9   | 200219103 | 1/8" Piping foot             |
| 10  | 200220107 | 3/16" Piping foot            |
| 11  | 200248101 | Gathering foot               |