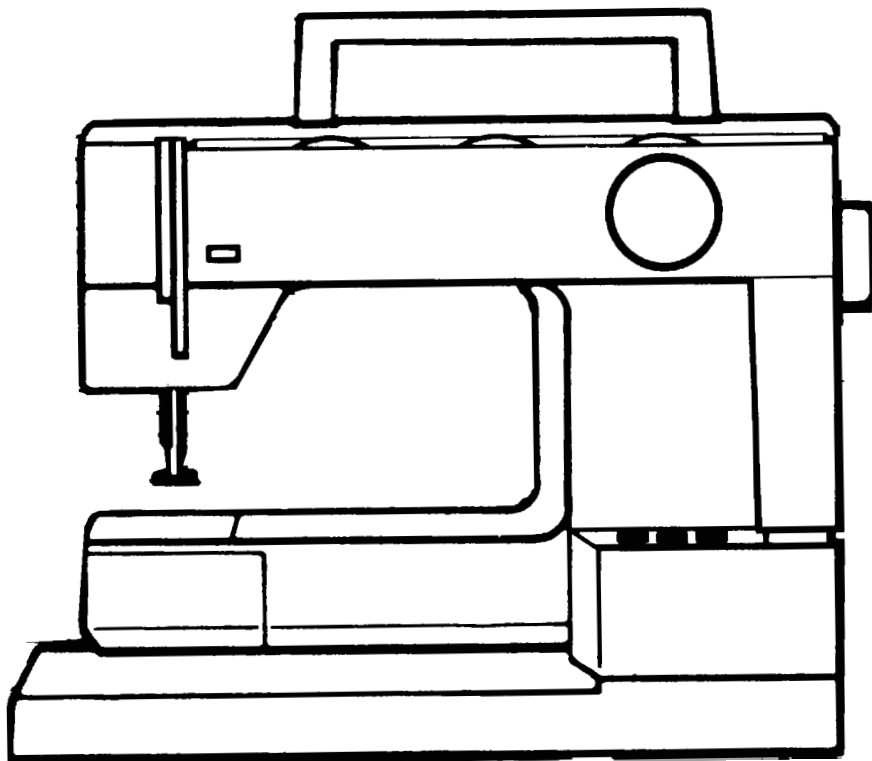


Spare parts list



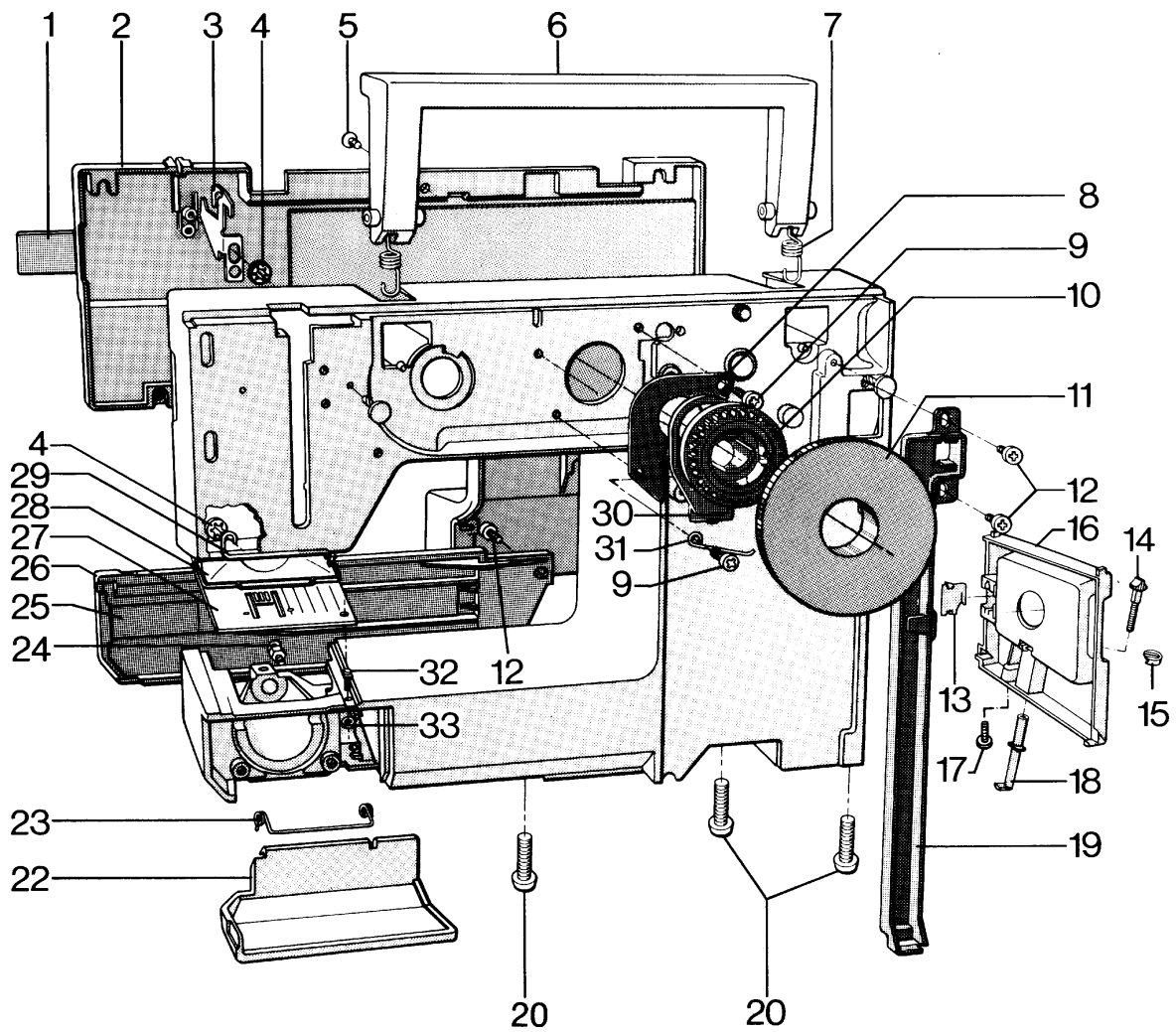
630

620

610

630, 620, 610

Arm with exterior details



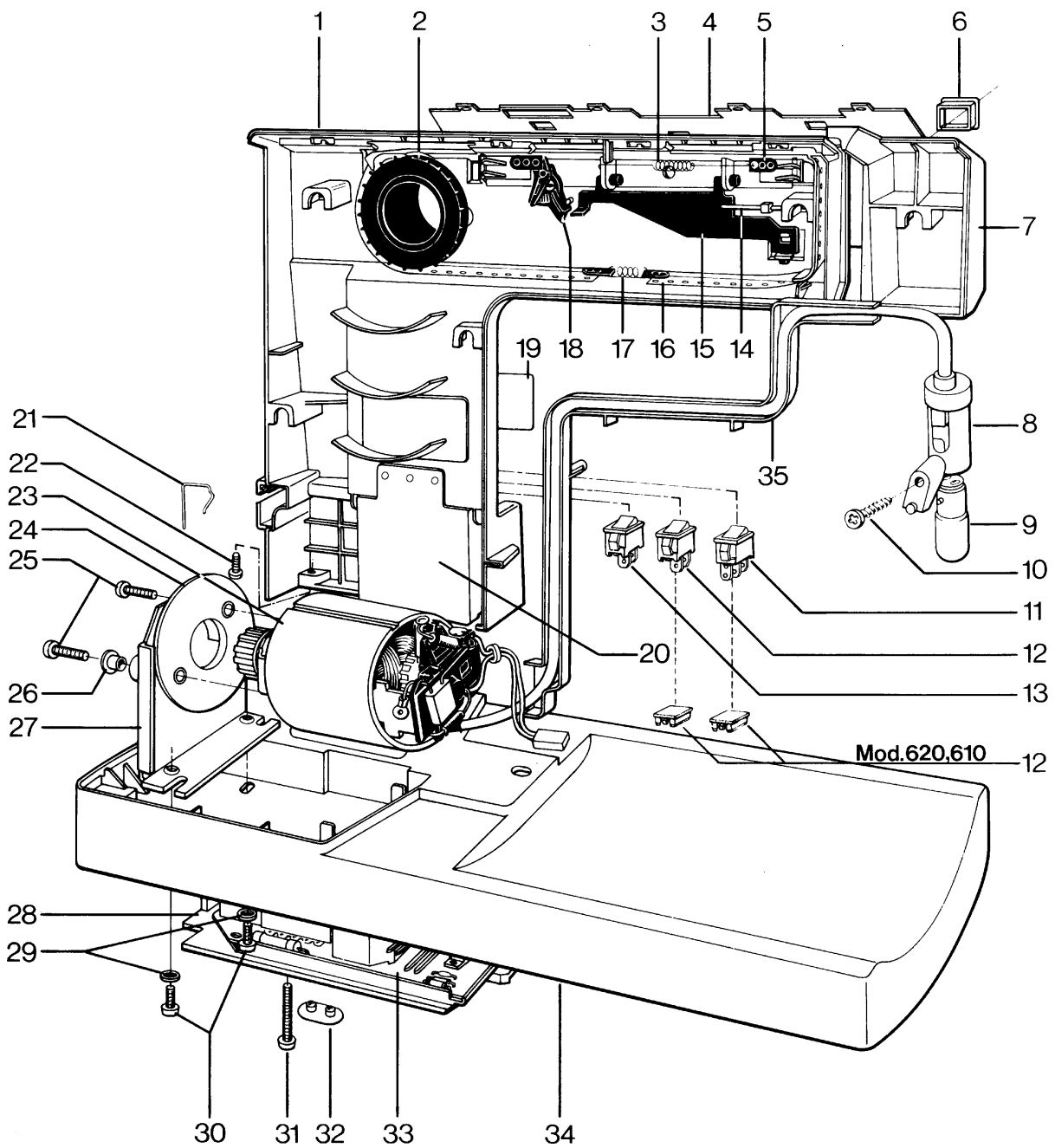
630, 620, 610

Arm with exterior details

Colours	Pos.	Number	6 3 0	6 2 0	6 1 0	Denomination
g	1	411 78 77-41	•	•	•	Name plate, Husqvarna
f	2	411 76 14-06	•	•	•	Cover plate, upper arm, cpl.
	3	411 76 13-01	•	•	•	Thread guide
	4	735 58 35-00	•	•	•	Locking washer
	5	724 12 85-05	•	•	•	Screw
	7	411 72 16-01	•	•	•	Spring
f	6,7	411 76 09-08	•	•	•	Handle, compl.
	8	411 76 34-01	•	•	•	Securing fork
	9	724 12 87-01	•	•	•	Screw
q	10	411 76 69-02	•	•	•	Stitch setting cam
g	11	412 05 17-02	•	•		Dial, stitch length
g	11	412 05 17-01			•	Dial, stitch length
	12	724 12 87-01	•	•	•	Screw
	15	412 02 75-01	•	•		Locking ring
	15	412 15 57-01			•	Cover
	17	729 52 27-01	•	•		Screw
f	13-16,18	412 06 49-01	•	•		Cover, bobbin winding, compl.
	13,15-16	412 06 49-02			•	Cover, bobbin winding, compl.
	19	411 74 35-01	•			Holder
	20	412 05 60-01	•	•	•	Screw
	22	411 76 11-01	•	•	•	Hook cover, transparent
	23	411 88 43-01	•	•	•	Hold down spring
	24	411 70 30-01	•	•	•	Shoulder screw, free arm
	25	411 77 26-01	•	•	•	Spring, cover plate
f	26	411 76 18-06	•	•	•	Cover plate, free arm
	27	412 00 73-01	•	•	•	Stitch plate, compl.
	28	411 78 87-01	•	•	•	Lampguard
	29	411 70 85-01	•	•	•	Thread guide, sewing head
	30	411 76 71-01	•	•	•	Coupling slide
	31	412 02 89-01	•	•	•	Brake spring
	32	411 77 16-01	•	•	•	Guide spindle, stitch plate
	33	412 08 87-01	•	•	•	Nut

630, 620, 610

Front panel, base plate, electric equipment



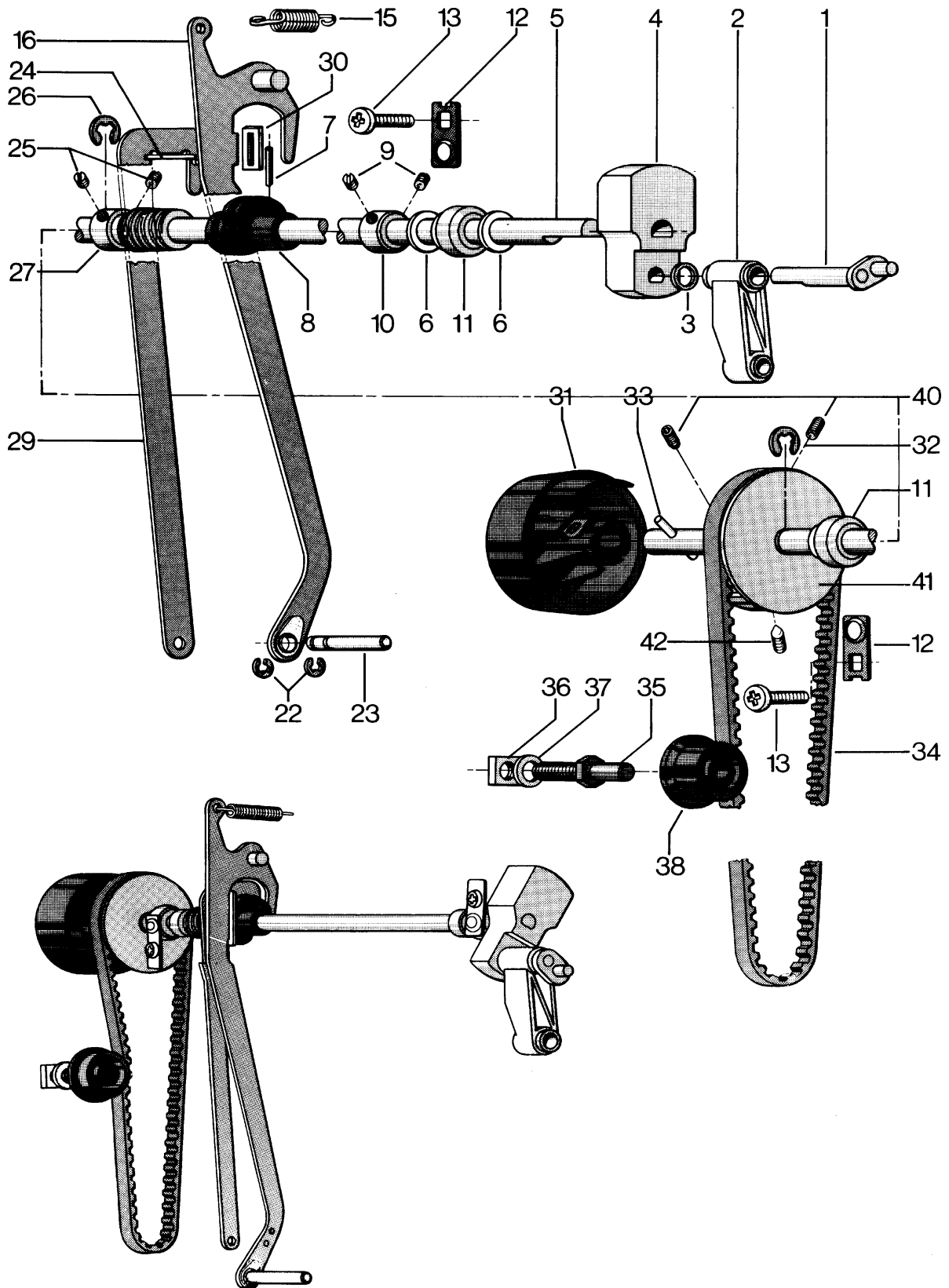
630, 620, 610

Front panel, base plate, electric equipment

Colours	Pos.	Number	6 3 0	6 2 0	6 1 0	Denomination
	3	412 19 10-01	•	•		Spring
f	7	412 05 18-01	•	•	•	Cover, sewing head
	8	411 82 62-01	•	•	•	Lamp holder, compl., stand
	8	411 82 62-02	•	•	•	Lamp holder, compl., USA, Canada
	8	411 82 62-03	•	•	•	Lamp holder, compl., Australia
	9	412 01 48-02	•	•	•	Light bulb, 100-120 V
	9	412 02 69-02	•	•	•	Light bulb, 220-250 V
	10	411 96 60-01	•	•	•	Screw
f	11	411 82 60-11	•			Tilting switch, stop-right
f	12	411 82 60-12	•			Tilting switch, full-half speed
f	12	412 02 65-02		•	•	Cover plate
f	13	411 82 60-13	•	•	•	Tilting switch, ON/OFF
	14	412 06 65-01	•	•	•	Spring
	15	412 06 37-01	•	•	•	Reverse feed arm, compl.
	17	412 05 05-01	•	•	•	Spring
	18	412 07 68-01	•	•		Adjustment device
	20	412 07 30-01	•	•	•	Insulating plate
	21	411 79 97-01	•	•	•	Thread guide, bobbin winding
f	1-6,11-21	4120501-01	•			Front cover, compl., 630 Husqvarna
f	1-6,11-21	4120501-02	•			Front cover, compl., 630 Viking
f	1-6,12-21	4120501-03		•		Front cover, compl., 620 Husqvarna
f	1-6,12-21	4120501-04		•		Front cover, compl., 620 Viking
f	1,2,4,6, 12-17,19-21	4120501-07			•	Front cover, compl., 610 Husqvarna
f	1,2,4,6, 12-17,19-21	4120501-08			•	Front cover, compl., 610 Viking
	22	729 52 30-71	•	•	•	Screw
	23	412 05 63-01	•	•	•	Motor, compl., 220-240 V
	23	412 05 63-02	•	•	•	Motor, compl., 100-120 V
	24	412 04 89-01	•	•	•	Muffler
	25	724 12 92-01	•	•	•	Screw
	26	412 06 64-01	•	•	•	Distance, casing
	27	412 05 67-01	•	•	•	Attachment for motor
	28	412 22 31-01	•			Cover with lid, mod.630
	28	411 76 22-01		•	•	Cover, mod. 620,610
	29	734 48 53-01	•	•	•	Washer
	30	724 12 89-01	•	•	•	Screw
	31	724 12 99-01	•	•	•	Screw
	32	412 08 61-01	•			Cover
	33	412 05 68-45	•			Circuit board 220-240 V, with cover
	33	412 05 68-46	•			Circuit board, 100-120 V, with cover
	33	412 05 68-47	•			Circuit board 220-240 V, with cover, Germany
	33	412 19 27-45		•		Circuit board 220 V
	33	412 19 27-46		•		Circuit board 120 V
	33	412 19 27-47		•		Circuit board 240 V
	33	412 19 27-48		•		Circuit board 100 V
	33	412 19 27-49			•	Circuit board 220V
	33	412 19 27-50			•	Circuit board 120 V
	33	412 19 27-52			•	Circuit board 240V
	33	412 19 27-53			•	Circuit board 100V
f	34	412 06 53-01	•			Base plate, compl., 220-240 V
f	34	412 06 53-02	•			Base plate, compl., 110-120 V, USA, Canada
f	34	412 06 53-03	•	•	•	Base plate, compl., 240 V, Australia
f	34	412 06 53-04		•	•	Base plate, compl., 220 V
f	34	412 06 53-05		•	•	Base plate, compl., 190 V, USA, Canada
f	34	412 06 53-06		•	•	Base plate, compl., 240 V, England, New Zealand
	35	411 77 24-01	•	•	•	Cable groove

630, 620, 610

Arm shaft transmission



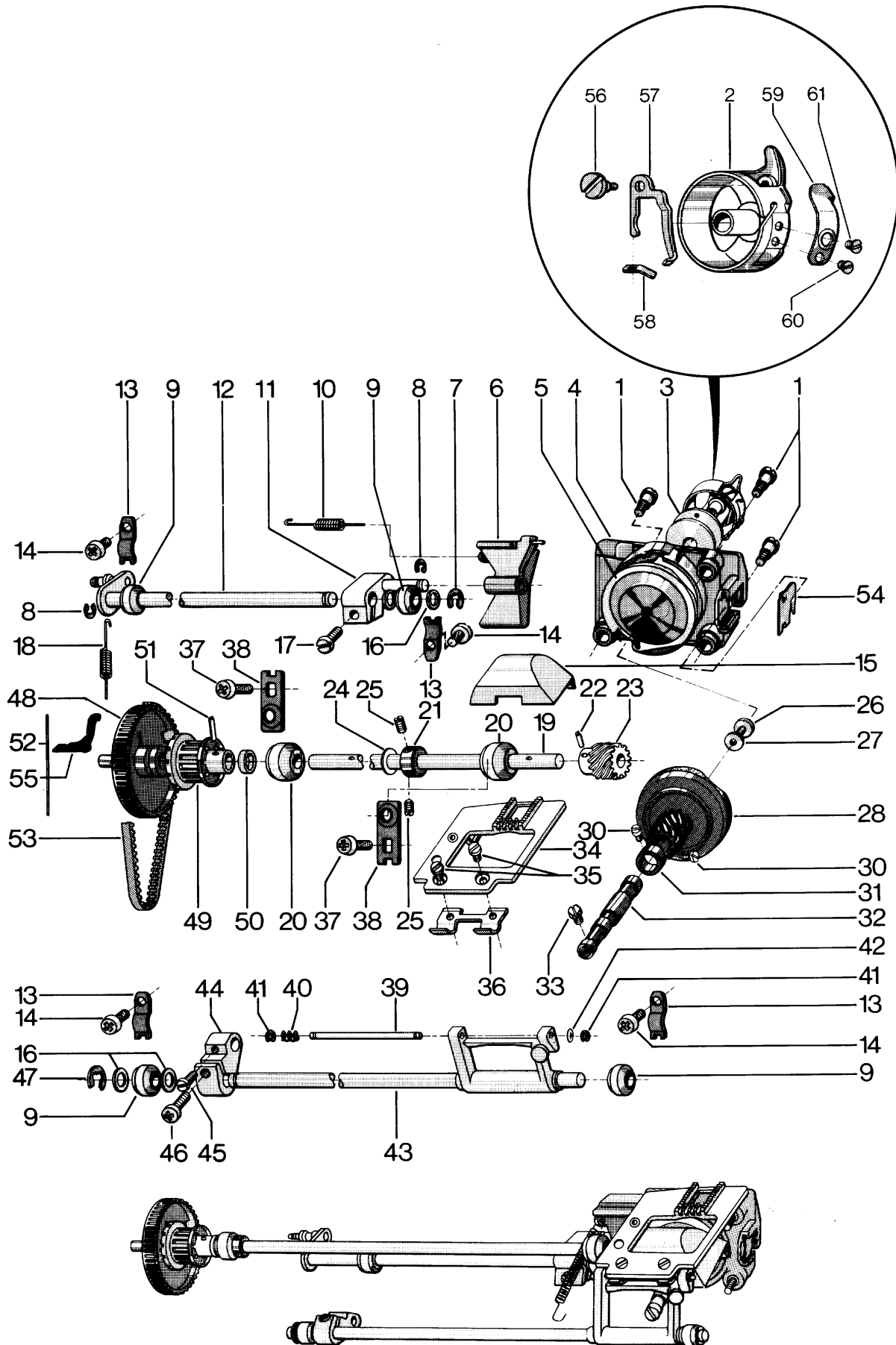
630, 620, 610

Arm shaft transmission

Colours	Pos.	Number	6 3 0	6 2 0	6 1 0	Denomination
	9	411 96 25-01	•	•	•	Stop screw
	1-11	412 08 16-01	•	•	•	Arm shaft, compl.
	12	411 50 30-01	•	•	•	Clamp
	13	724 12 92-01	•	•	•	Screw
	15,16, 22,23	412 00 10-01	•	•	•	Stitch regulator fork, compl. point, cpl.
	25	411 96 41-03	•	•	•	Stop screw
	26	411 98 16-01	•	•	•	Clamping ring
	25,27	411 76 36-01	•	•	•	Screw, worm gear
	24,29	412 08 24-01	•	•	•	Connecting rod, compl.
	30	412 08 14-01	•	•	•	Glide plate
g	31	411 70 50-05	•	•	•	Hand wheel, compl.
	32	411 98 16-01	•	•	•	Clamping ring
	33	721 42 10-26	•	•	•	Cylindrical pin
	34	411 70 64-01	•	•	•	Cog belt
	35	411 70 55-01	•	•	•	Pivot pin
	36	411 70 56-01	•	•	•	Nut
	37	734 11 53-01	•	•	•	Washer
	38	411 70 54-01	•	•	•	Belt roll
	40	728 53 20-05	•	•	•	Screw
	41	411 74 12-02	•	•	•	Driving wheel
	42	728 73 20-01	•	•	•	Screw

630, 620, 610

Lower shaft and shuttle transmission

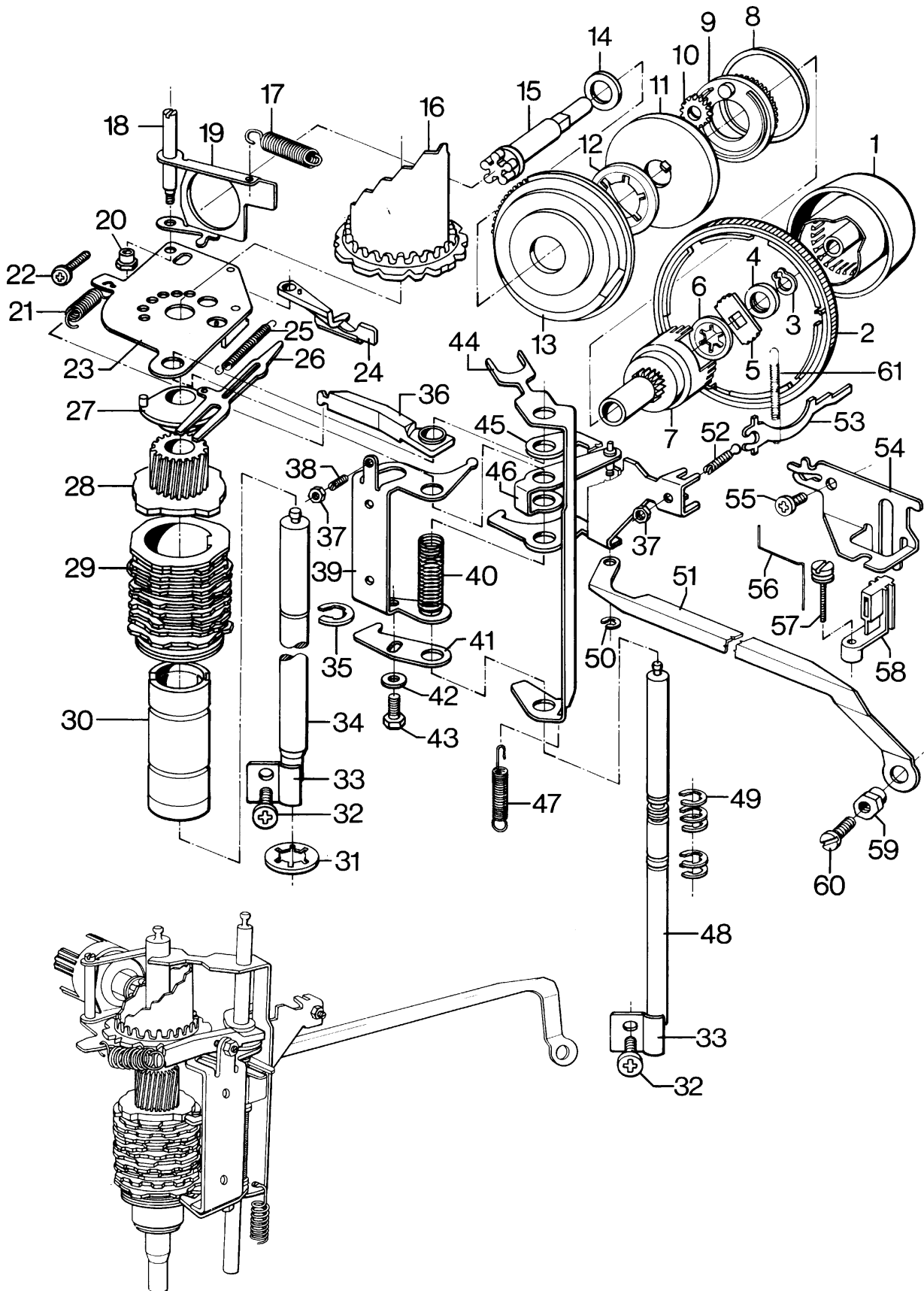


630, 620, 610

Lower shaft and shuttle transmission

Colours	Pos.	Number	6 3 0	6 2 0	6 1 0	Denomination
	1	411 50 51-01	•	•	•	Shoulder screw
	2	411 4962-01	•	•	•	Bobbin case, compl.
	3	412 06 12-01	•	•	•	Bobbin
l	4	411 76 35-01	•	•	•	Hook cover, compl.
	5	411 70 74-02	•	•	•	Hook, compl.
l	6	411 76 32-01	•	•	•	Rocker arm
	7	735 31 08-20	•	•	•	C-washer
	8	735 31 07-20	•	•	•	C-washer
	9	411 51 65-01	•	•	•	Bearing
	10	411 51 83-01	•	•	•	Spring, rocker arm
	12	412 08 23-01	•	•	•	Shaft, compl. feed lift
	13	411 51 66-01	•	•	•	Clamp, bearing
	14	724 12 91-61	•	•	•	Screw
	15	411 67 71-01	•	•	•	Dust shield
	16	411 98 11-01	•	•	•	Washer
	17	723 12 91-01	•	•	•	Screw
	11,17	411 51 82-01	•	•	•	Lever arm, feed lift
	18	411 77 23-01	•	•	•	Spring, feed lift
	22	721 41 87-70	•	•	•	Pin
	23	411 70 60-01	•	•	•	Worm gear
	26-32	411 7069-01 •	•	•	•	Shuttle shaft, compl.
	33	411 79 39-01	•	•	•	Screw
	34	412 00 66-01	•	•	•	Feed dog, compl.
	35	412 00 07-01	•	•	•	Screw
	36	412 02 99-01	•	•	•	Clamp
	37	724 12 87-01	•	•	•	Screw
	38	411 50 30-01	•	•	•	Clamp
	39	411 53 61-01	•	•	•	Shaft, feed dog
	40	411 53 62-01	•	•	•	Spring
	41	735 31 05-20	•	•	•	C-washer
	42	411 98 14-01	•	•	•	Washer
	43	411 51 70-01	•	•	•	Feed supporting arm
	45	411 96 11-02	•	•	•	Screw
	46	411 96 19-03	•	•	•	Screw
	44-46	411 6830-01	•	•	•	Crank, feed movement, compl.
	47	735 31 08-20	•	•	•	C-washer
	52	411 70 67-01	•	•	•	Spring
	53	411 19 40-01	•	•	•	Cog belt 80 cogs
	54	411 70 78-01	•	•	•	Thread knife
	55	411 70 66-01	•	•	•	Lever
	19-25,	411 7058-02	•	•	•	Lower shaft, compl.
	48-52,55					
	56	411 06 01-01	•	•	•	Shoulder screw
	57	401 15 35-02	•	•	•	Latch
	58	411 45 96-01	•	•	•	Spring
	59	411 49 65-01	•	•	•	Thread tension spring
	60	411 78 40-01	•	•	•	Screw
	61	411 78 30-01	•	•	•	Screw

630, 620
Stitch pattern mechanism



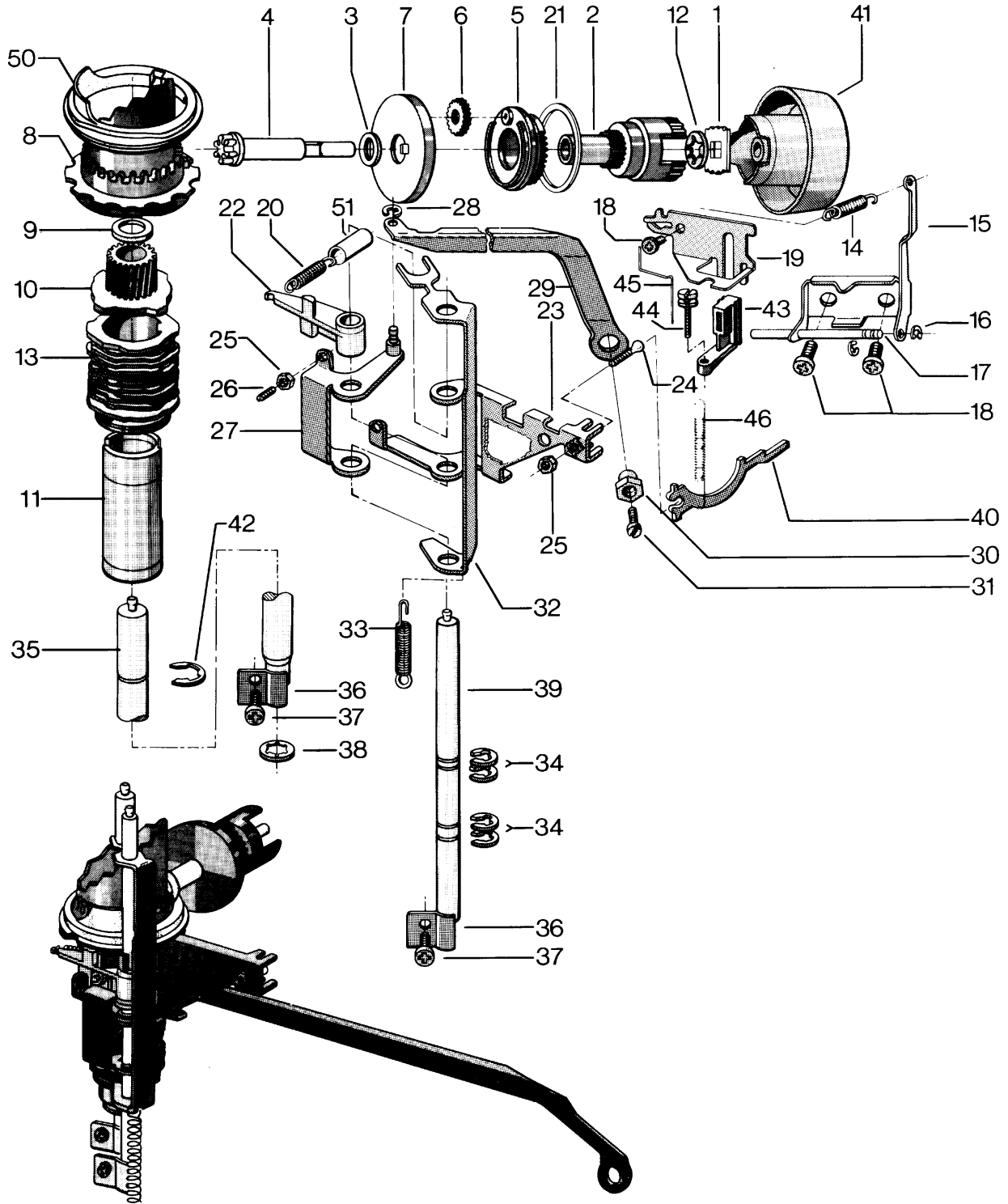
630, 620

Stitch pattern mechanism

Colours	Pos.	Number	6 3 0	6 2 0	6 1 0	Denomination
g	1	412 04 78-01	•	•		Outer knob, stitch selector
g	2	412 04 77-01	•	•		Adjusting pulley, zig-zag
	3	735 61 46-40	•	•		C-ring
	4	412 20 68-01	•	•		Washer
	5	411 76 88-01	•	•		Locking washer, dial
	6	735 58 47-00	•	•		Locking washer
	7	411 76 42-01	•	•		Hub, cam set
	8	412 20 73-01	•	•		Washer
	9	411 76 85-01	•	•		Index wheel
	10	411 76 86-01	•	•		Planet wheel
	11	412 08 17-02	•	•		Rim wheel
	12	412 15 49-01	•	•		Locking washer
	13	412 06 11-01	•	•		Curve, zig-zag
	14	411 61 41-01	•	•		Washer
	15	411 77 07-01	•	•		Transmitting shaft
	17	412 07 13-01	•	•		Spring, lever arm
	18	412 04 82-01	•	•		Shaft, lever arm
	19	412 04 83-01	•	•		Lever arm
	20	412 06 15-01	•	•		Nut
	21	412 15 47-01	•	•		Spring, lifting arm
	22	411 79 05-02	•	•		Screw
	24	412 04 84-01	•	•		Scanner
	32	724 12 89-01	•	•		Screw
	33	411 51 41-01	•	•		Clamp, shaft
	37	731 23 11-01	•	•		Nut
	38	411 96 39-01	•	•		Set screw
	42	734 11 36-01	•	•		Washer
	43	412 15 85-01	•	•		Screw
	47	411 76 60-01	•	•		Spring, cam guide
	50	735 31 06-20	•	•		C-washer
	51	411 54 63-01	•	•		Draw bar
	52	411 54 70-01	•	•		Spherical screw
	53	411 76 56-01	•	•		Connecting arm
	54	412 18 26-01	•	•		Holder
	55	724 12 87-01	•	•		Screw
	56	411 76 66-01	•	•		Spring
	57	411 76 61-01	•	•		Screw
	58	411 76 59-01	•	•		Regulating slide
	59	411 50 89-01	•	•		Eccentric, draw bar
	60	411 76 01-01	•	•		Screw
	61	411 51 83-01	•	•		Spring
	16-21, 23-31, 34-53	412 04 79-01	•			Pattern mechanism, compl., mod. 630
	16-21, 23-31, 34-53	412 04 79-02		•		Pattern mechanism, compl., mod. 620

610

Stitch pattern mechanism



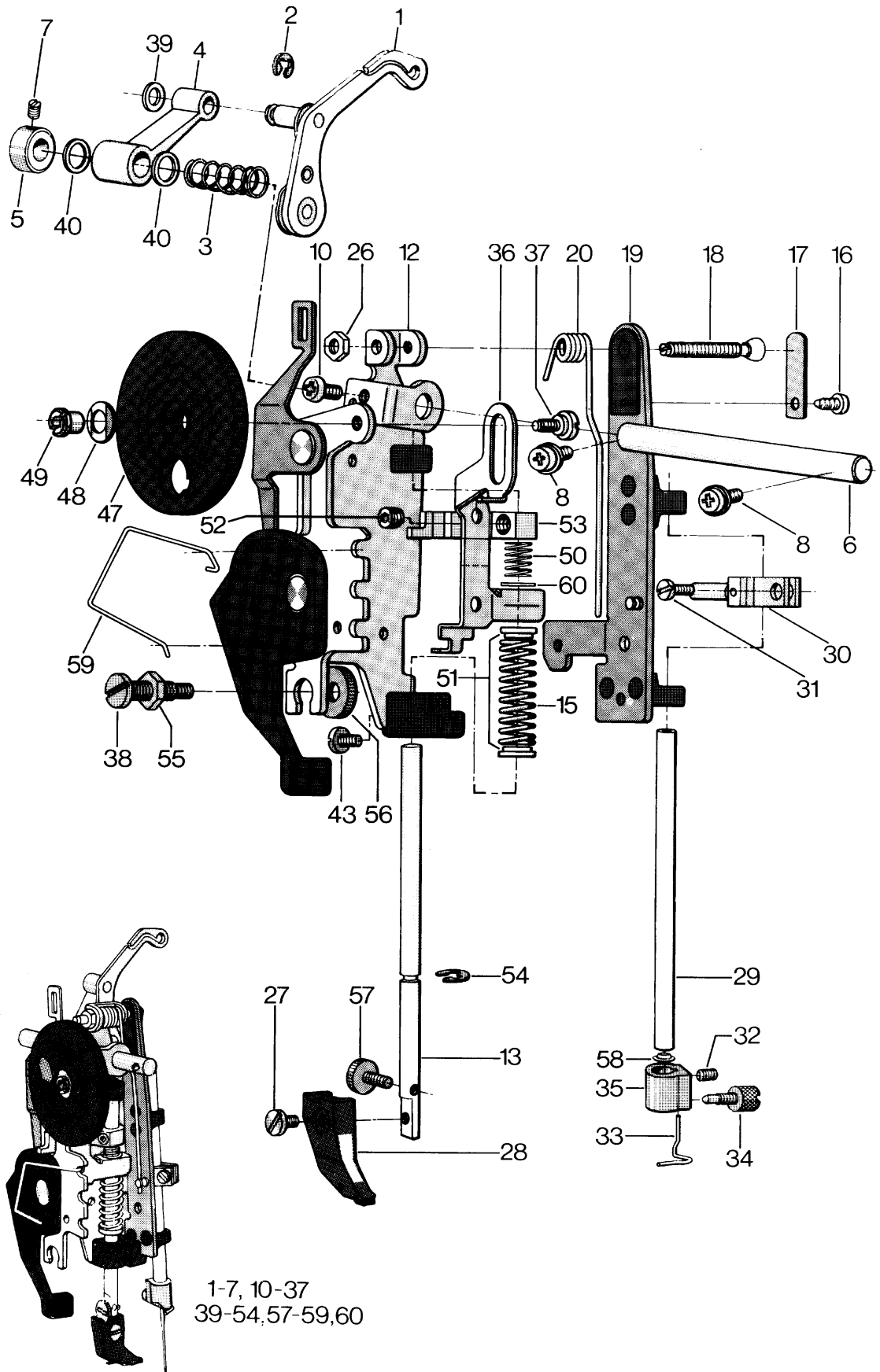
610

Stitch pattern mechanism

Colours	Pos.	Number	6 3 0	6 2 0	6 1 0	Denomination
	1	411 76 88-01				• Locking washer, dial
	2	411 76 42-01				• Hub, dial
	3	411 61 41-01				• Washer
	4	411 77 07-01				• Transmitting shaft
	5	411 76 85-01				• Index wheel
	6	411 76 86-01				• Planet wheel
	7	412 08 17-02				• Rim wheel
	8	411 86 79-01				• Main gear
	9	411 77 28-01				• Washer
	10	412 02 00-01				• Worm gear with cam
	11	412 01 66-01				• Hub, cam set
	12	735 58 47-00				• Locking washer
	13	412 00 96-01				• Cam set
	14	412 18 23-01				• Spring, lever arm
	15	411 51 12-01				• Lever arm
	16	735 31 06-20				• C-washer
	17	411 51 13-01				• Shaft, lever arm
	14-17	411 52 58-02				• Lever arm, compl., reverse feed
	18	724 12 87-01				• Screw
	19	412 18 26-01				• Holder
	20	411 54 60-01				• Spring, lifting arm
	21	412 20 73-01				• Washer
	22	411 77 37-01				• Lifting arm
	23-25,40	412 01 89-01				• Cam follower, compl., feed
	24	411 54 70-01				• Spherical screw
	25	731 23 11-01				• Nut
	26	411 96 39-01				• Set screw
	25-27	411 54 57-02				• Cam follower, compl., zig-zag
	28	735 31 06-20				• G-washer
	29	411 54 63-01				• Draw bar
	30	411 50 89-01				• Eccentric, draw bar
	31	411 76 01-01				• Screw, draw bar
	32	411 77 31-01				• Cam guide
	33	411 76 60-01				• Spring, cam guide
	34	735 31 09-20				• C-washer
	35	412 18 09-01				• Shaft, main gear
	36	411 51 41-01				• Clamp, shaft
	37	724 12 89-01				• Screw
	38	735 58 58-00				• Locking washer
	39	412 18 89-01				• Shaft, cam guide
	40	411 76 56-01				• Connecting arm
g	41	412 04 78-01				• Outer knob, stitch selector
	42	735 31 12-20				• C-washer
	43	411 76 59-01				• Regulating slide
	44	411 76 61-01				• Screw
	45	411 76 66-01				• Spring
	46	411 51 83-01				• Spring
	50	412 00 97-03				• Locking ring, main gear
	51	412 02 55-01				• Casing, spring, lifting arm

630, 620, 610

Needle bar-, presser bar- and thread take-up mechanism

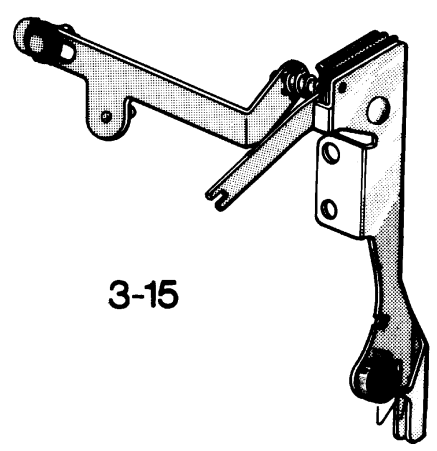
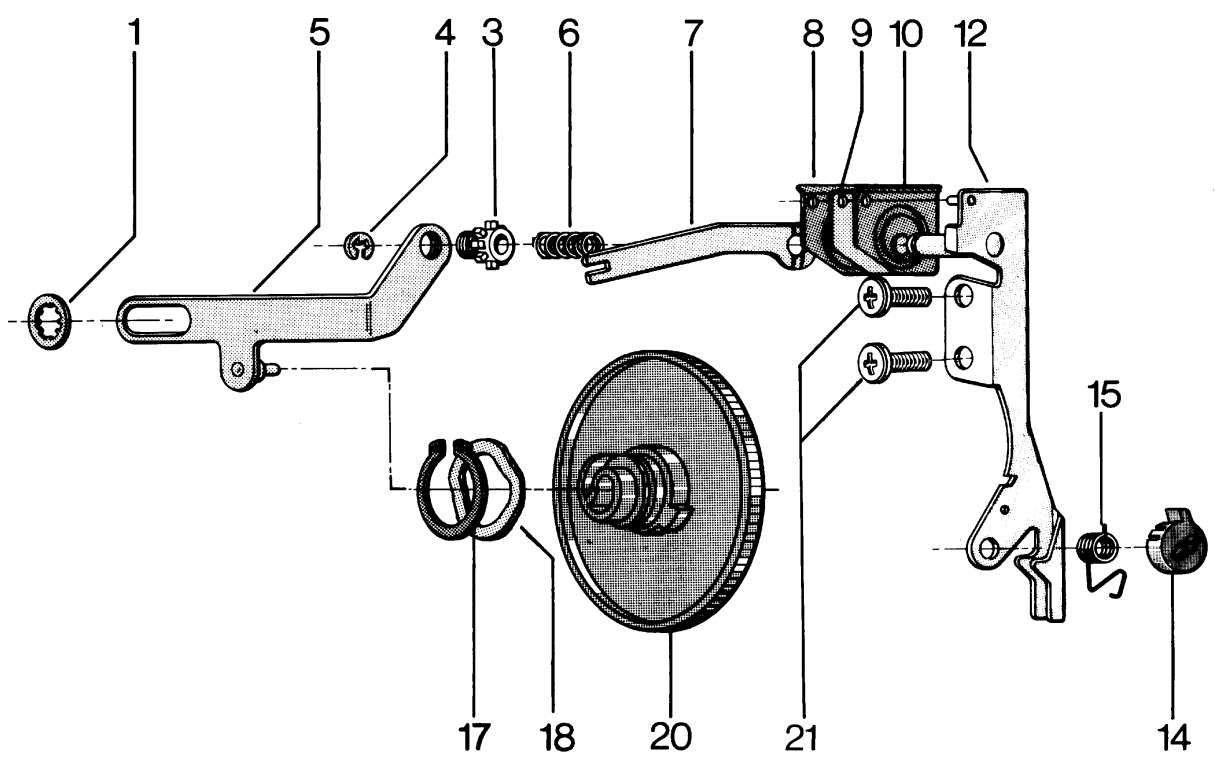


630, 620, 610

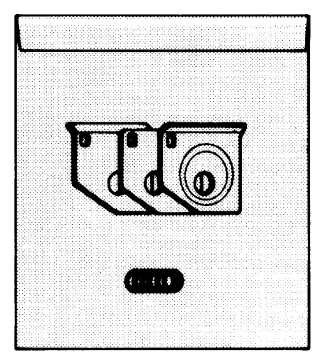
Needle bar-, presser bar- and thread take-up lever mechanism

Colours	Pos.	Number	6 3 0	6 2 0	6 1 0	Denomination
	2	735 31 07-20	•	•	•	C-washer
	3	411 77 69-01	•	•	•	Spring, guide arm
	4	411 54 38-01	•	•	•	Guide arm
	1,2,4,39	411 54 36-01	•	•	•	Thread take-up lever compl. with guide arm
	6	412 00 80-01	•	•	•	Shaft, sewing frame
	7	411 96 28-03	•	•	•	Set screw
	5,7	411 50 93-01	•	•	•	Stop ring, compl.
	8	411 79 05-02	•	•	•	Screw
	10	724 12 89-01	•	•	•	Screw
	12	412 02 26-01	•	•	•	Sewing frame, compl.
	13	411 74 94-01	•	•	•	Presser bar
	15	412 02 41-01	•	•	•	Presser bar spring
	16	724 12 19-01	•	•	•	Screw
	17	411 50 88-02	•	•	•	Lock plate
	18	411 89 93-01	•	•	•	Pivot
	19,29,32-35,58	412 24 28-01	•	•	•	Needle bar frame, compl., with needle bar
	20	411 74 93-01	•	•	•	Spring, needle bar frame
	26	731 23 12-01	•	•	•	Nut
	27	411 63 24-02	•	•	•	Slotted screw
1	28	411 76 70-01	•	•	•	Presser foot ankle, compl.
	30-31	411 78 88-01	•	•	•	Cross head, compl.
	31	723 12 22-01	•	•	•	Screw
	32	728 52 18-05	•	•	•	Screw
	33	411 75 04-01	•	•	•	Thread guide
	34	411 75 05-01	•	•	•	Screw, needle clamp
	35	411 75 02-01	•	•	•	Needle clamp
	29,58,32-35	411 75 00-03	•	•	•	Needle bar, compl.
	36	411 74 39-01	•	•	•	Adjusting arm
	37	412 06 47-01	•	•	•	Shoulder screw, adj. arm
	38	412 00 86-01	•	•	•	Shoulder screw, back
	39	411 54 39-01	•	•	•	Washer
	40	411 55 19-02	•	•	•	Washer
	43	411 76 55-02	•	•	•	Screw, needle bar stop
1	47	412 06 89-01	•	•	•	Adjusting pulley
	48	411 62 41-01	•	•	•	Spring washer
	49	411 74 92-02	•	•	•	Nut
	50	412 02 58-01	•	•	•	Spring, darning
	51	411 74 81-01	•	•	•	Washer, presser bar spring
	52	728 53 21-05	•	•	•	Screw
	53	411 74 38-01	•	•	•	Presser bar guide
	54	735 31 08-20	•	•	•	C-Washer
	55	412 00 88-01	•	•	•	Nut, shoulder screw
	56	412 00 87-01	•	•	•	Adjusting nut, shoulder screw
	57	411 75 60-01	•	•	•	Attachment screw, edge guide
	58	411 75 03-01	•	•	•	Stop, needle clamp
	59	412 02 95-01	•	•	•	Return spring, presser bar filter
	60	412 02 62-01	•	•	•	Washer, spring, darning
	1-7,10-37, 39-54, 57-60	412 20 60-01	•	•	•	Sewing head, compl.

630, 620, 610
Thread tension device



3-15



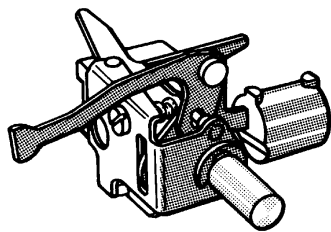
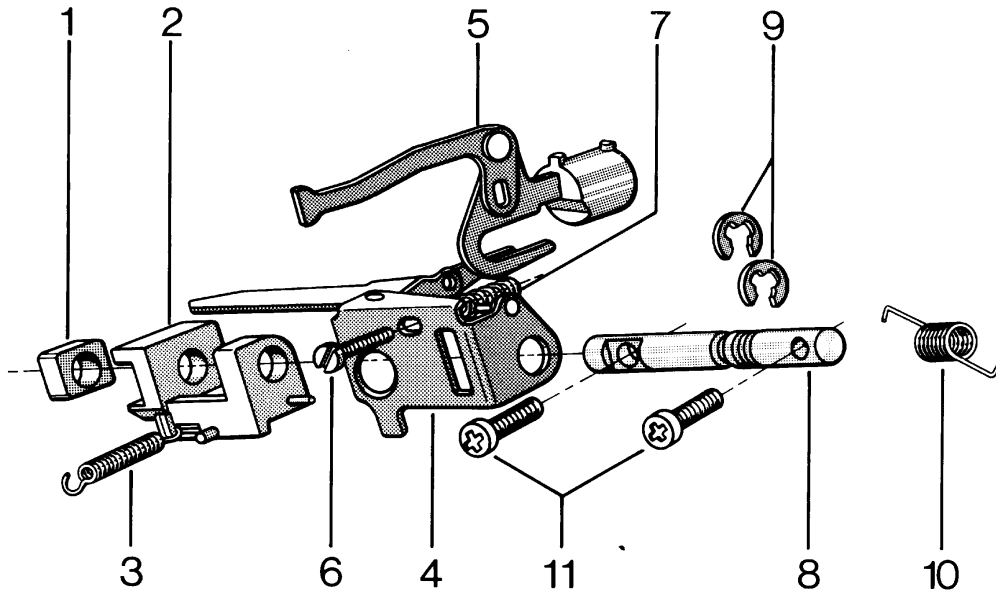
6,8-10

630, 620, 610

Thread tension device

Colours	Pos.	Number	6 3 0	6 2 0	6 1 0	Denomination
	1	735 58 35-00	•	•	•	Locking washer
	3	412 08 46-01	•	•	•	Adjusting screw
	4	735 31 03-20	•	•	•	C-washer
	5	412 08 41-01	•	•	•	Control arm
	7	412 20 98-01	•	•	•	Link, thread tension
	6,8-10	412 22 94-01	•	•	•	Thread tension discs, compl., with spring
	12	412 20 97-01	•	•	•	Mounting plate
	14	411 70 83-01	•	•	•	Adjustment casing
	15	412 09 86-01	•	•	•	Thread feeding spring
	17	735 31 21-00	•	•	•	C-ring
	18	401 25 56-04	•	•	•	Spring washer
g	20	412 05 16-01	•	•	•	Dial, thread tension 1
	21	724 12 87-01	•	•	•	Screw
	3-15	412 20 99-01	•	•	•	Thread tension device, compl.

630, 620, 610
Stitch regulating mechanism



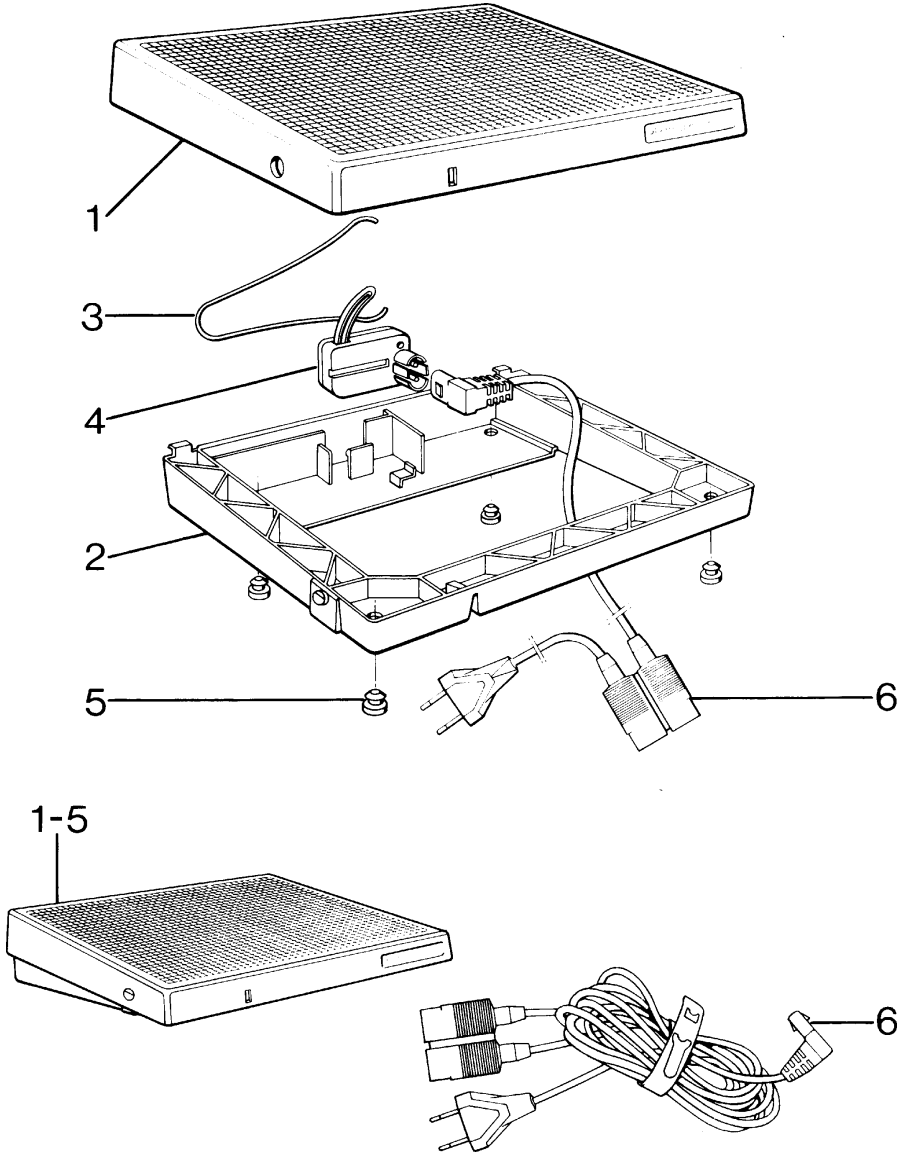
1-9

630, 620, 610

Stitch regulating mechanism

Colours	Pos.	Number	6	6	6	Denomination
			3	2	1	
			0	0	0	
	1-2	411 76 73-01	•	•	•	Guide compl. with block
	3	411 54 44-01	•	•	•	Spring, guide
	4	411 77 17-02	•	•	•	Clamp, guide, compl.
	5	411 77 09-01	•	•	•	Guide, compl.
	6	412 18 25-01	•	•	•	Screw
	7	411 54 50-01	•	•	•	Spring, adjusting arm
	8	411 77 20-01	•	•	•	Shaft, guide
	9	735 31 10-20	•	•	•	C-washer
	10	411 76 79-01	•	•	•	Spring, clamp, guide
	11	724 12 92-01	•	•	•	Screw
	1-9	411 76 72-02	•	•	•	Stitch regulating mechanism, compl.

630, 620, 610
Foot control



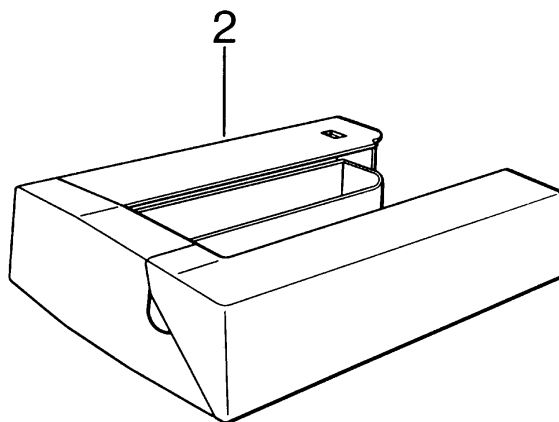
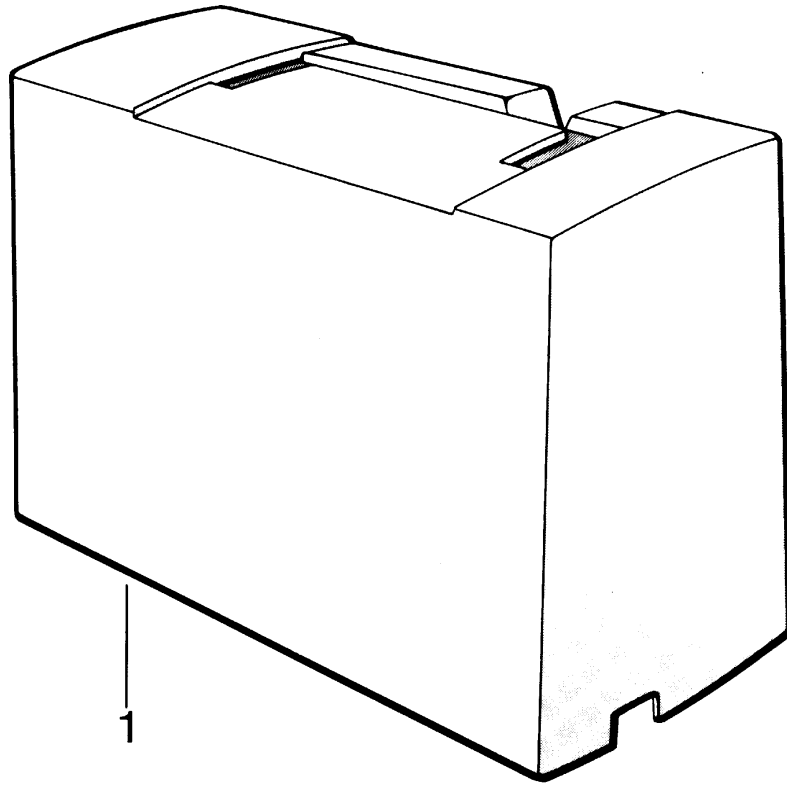
630, 620, 610

Foot control

Colours	Pos.	Number	6 3 0	6 2 0	6 1 0	Denomination
	3	412 15 98-01	•	•	•	Spring
	4	412 15 99-01	•	•	•	Control unit
	5	412 18 45-01	•	•	•	Foot
	6	412 15 65-01	•	•	•	Cord device, standard
	6	412 15 66-01	•	•	•	Cord device, USA, Canada
	6	412 15 67-01	•	•	•	Cord device, England
	6	412 15 68-01	•	•	•	Cord device, Australia
	6	412 15 69-01	•	•	•	Cord device, New Zealand
g	1-5	412 1600-01	•	•	•	Foot control, compl.

630, 620, 610

Accessory box, cover and standard accessories



630, 620, 610

Accessory box, cover and standard accessories

Colours	Pos.	Number	6 3 0	6 2 0	6 1 0	Denomination
f	1	412 07 57-01	•	•	•	Cover
f	2	411 76 94-04	•	•	•	Accessory box, compl.
		411 78 26-01	•	•	•	Plastic bag w. accessories, compl.
		401 55 55-01	•	•	•	Brush
		411 78 83-01	•	•	•	Screw driver
		412 06 12-01	•	•	•	Bobbins, 6
		401 53 99-01	•	•	•	Buttonhole knife
		411 17 32-01	•	•	•	Clearance plate
		411 78 27-03	•	•	•	Plastic bag w. accessories, compl.
		412 03 74-01	•	•	•	Utility and pattern presser foot B
		411 73 89-01	•	•	•	Button hole foot C
		411 53 31-02	•	•	•	Blind stitching foot D
		411 73 93-01	•	•	•	Zipper foot E
		411 85 27-01	•	•	•	Edging presser foot J
		411 78 90-01	•	•	•	Needle case
		411 73 95-01	•	•	•	Edge guide
		411 77 91-01	•	•	•	Glide plate
		412 03 73-01	•	•	•	Zig-zag foot A
q		412 06 88-02	•	•	•	Buttonhole plate
f		412 07 72-01	•	•	•	Touch-up paint, white, HS 25-433
		412 00 65-01	•	•	•	Assembly kit for fitting in furniture
		412 09 42-01	•	•	•	Lubricating grease
		411 89 90-01	•	•	•	Lubricating oil
		412 00 57-01	•	•	•	Pieces of cloth for test sewing
		427 04 62-01	•	•	•	Shrink film for resealing of original packing