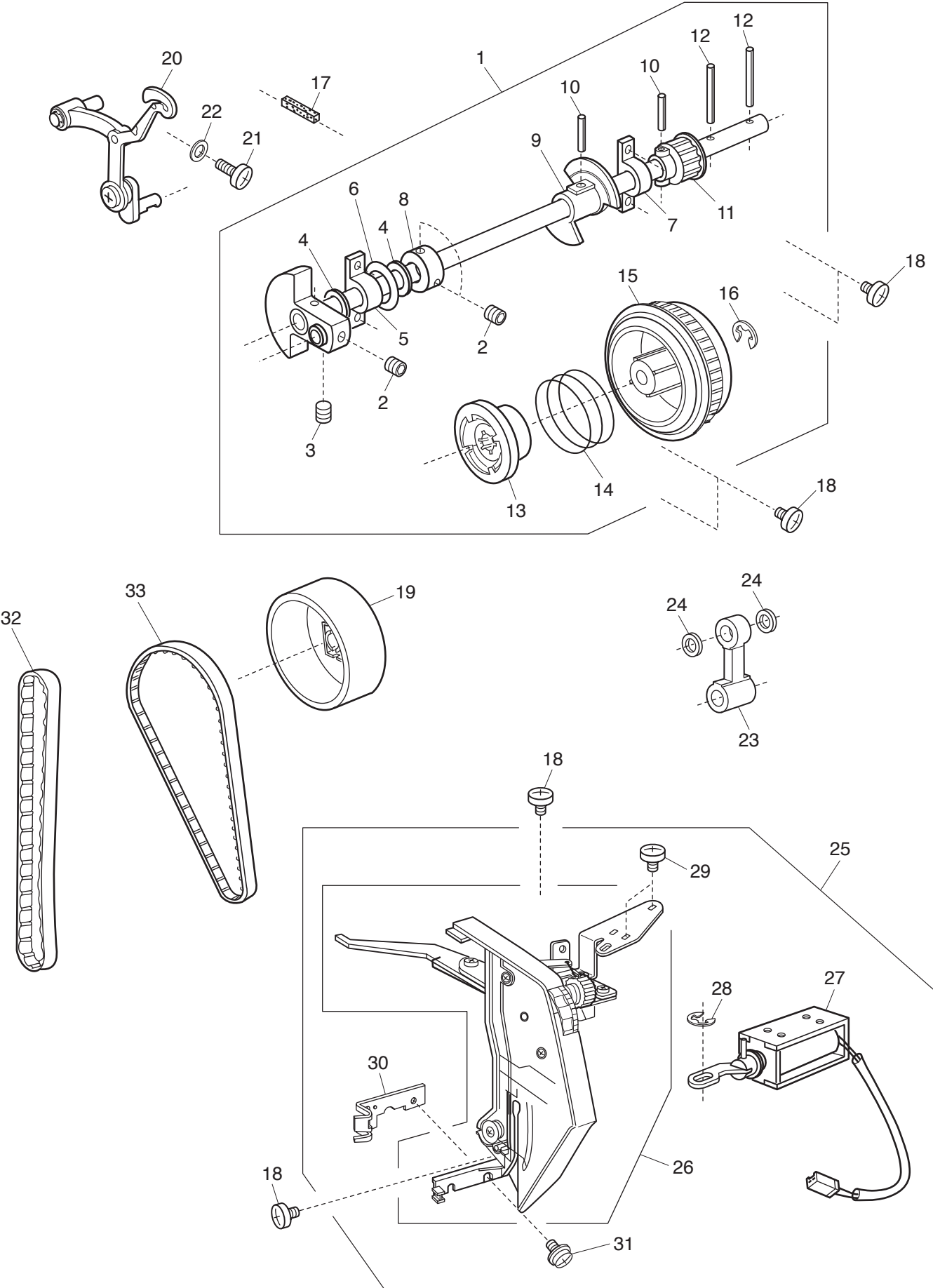


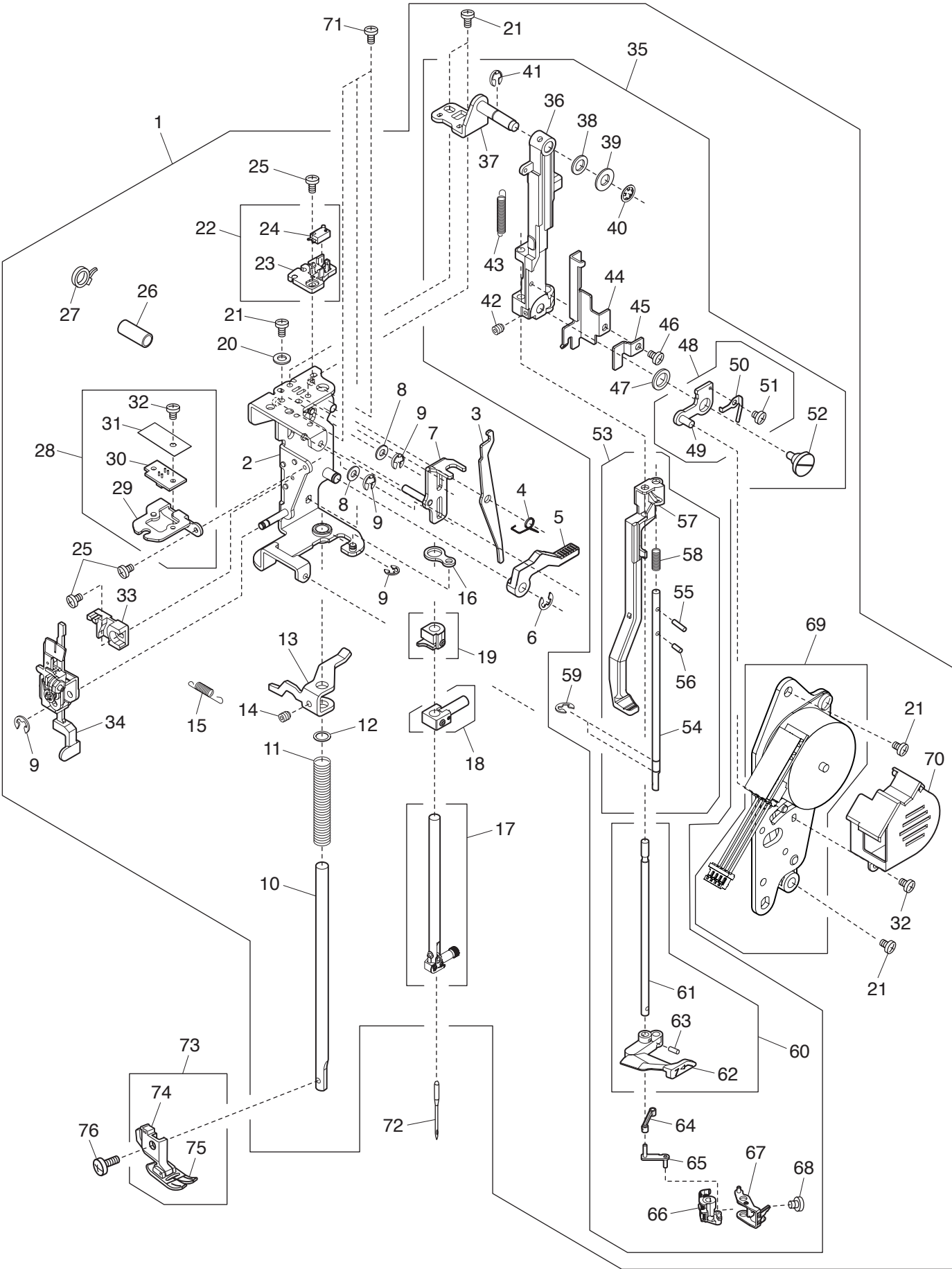
PARTS LIST



PARTS LIST

KEY NO.	PARTS NO.	DESCRIPTION
1	808601005	Upper shaft (unit)
2	000111201	Hexagonal socket screw 4x4
3	000112800	Hexagonal socket screw 4x6
4	000036201	Washer FT80
5	508120006	Shaft supporter plate
6	823110009	Felt
7	508054101	Shaft supporter plate
8	820166001	Lower shaft ring
9	808003001	Upper shaft shielding plate
10	000004200	Spring pin 3x18
11	508021006	Upper shaft gear
12	000024206	Spring pin 3x30
13	502064003	Clutch ring
14	661024007	Clutch spring
15	508055009	Belt wheel
16	000002806	Snap ring E-6
17	731312005	Felt
18	000081005	Setscrew 4x8
19	508056000	Handwheel
20	808648004	Thread take-up lever (unit)
21	000103509	Setscrew 4x10
22	000072302	Washer 4
23	808005003	Needle bar crank rod
24	000036005	Washer FT60
25	808616210	Thread tension (unit)
26	808501118	Thread tension
27	808604008	Solenoid (unit)
28	000002105	Snap ring E-3
29	000101105	Setscrew 3x4
30	809023000	Face plate spring set plate
31	000114709	Setscrew TP 3x6
32	808037004	Synchro belt S5M
33	808021005	Timing belt 120

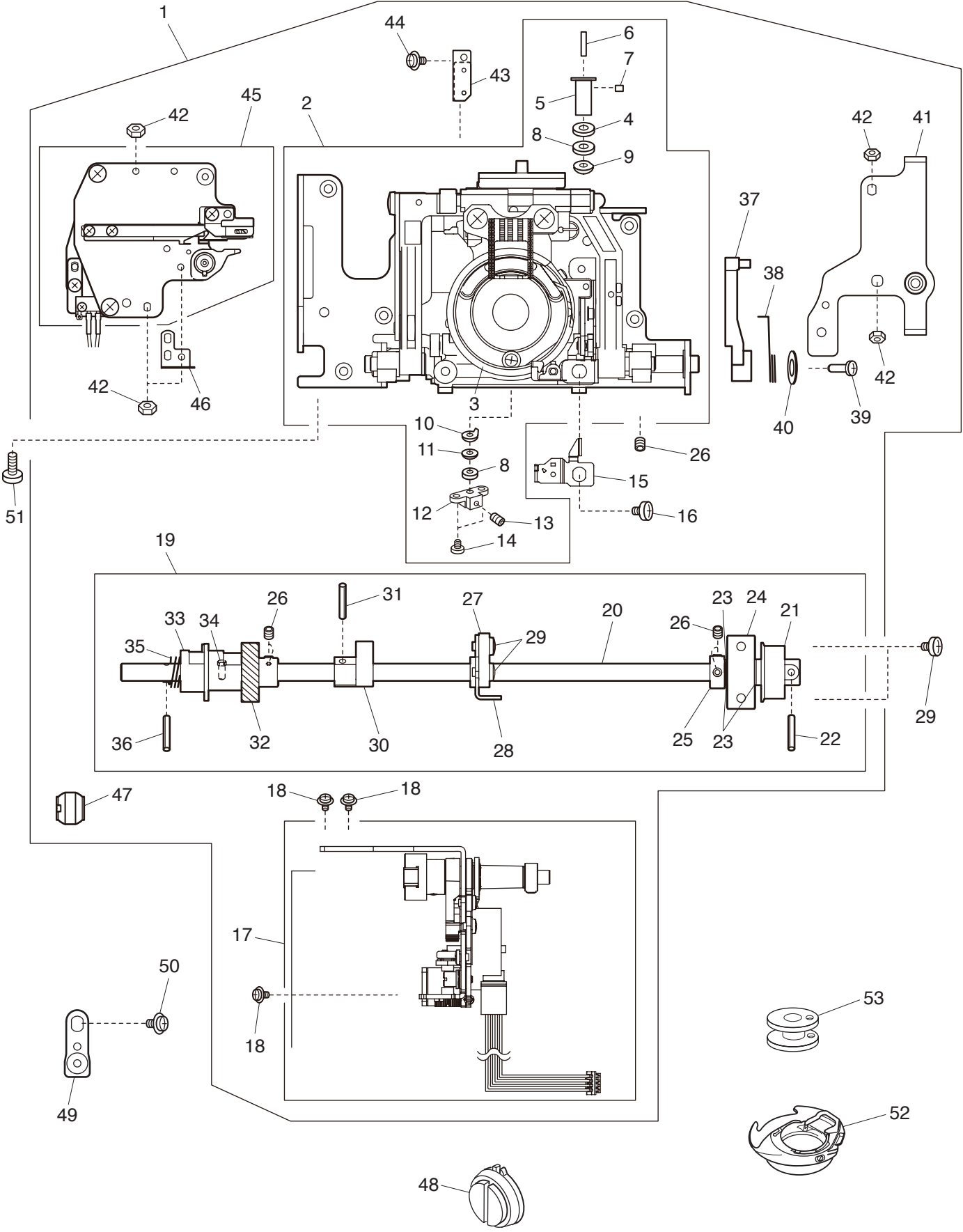
PARTS LIST



PARTS LIST

KEY NO.	PARTS NO.	DESCRIPTION
1	814610305	Presser bar base plate (unit)
2	814001008	Presser bar base plate
3	808007005	Thread tension release lever
4	503041007	Thread tension release spring
5	502024001	Presser foot lifter
6	000001609	Snap ring E-5
7	809128006	Presser bar spring adjusting plate
8	000072508	Washer 4
9	000002105	Snap ring E-3
10	827021107	Presser bar
11	830030006	Presser bar spring
12	826055004	Washer
13	809152009	Presser bar supporter
14	000111500	Hexagonal socket screw 4x8
15	844038018	Needle bar supporter spring
16	808010001	Supporter guide plate
17	814614000	Needle bar (unit)
18	809509005	Needle bar connecting stud (unit)
19	858540000	Rotation pin stopper (unit)
20	000072003	Washer 5
21	000101404	Setscrew 4x6
22	808611101	Presser foot lifter switch (unit)
23	808082004	Switch set plate
24	852510601	Micro switch (unit)
25	000103808	Setscrew 3x5
26	809046009	Tube
27	000053008	Cord binder
28	808606206	Buttonhole sensor (unit)
29	845002005	Sensor set plate
30	843502808	Printed circuit board E1 (unit)
31	845029008	Insulation paper
32	000101105	Setscrew 3x4
33	830057021	Buttonhole lever guide
34	808673008	Buttonhole lever (unit)
35	814611007	Needle bar supporter (unit)
36	814034103	Needle bar supporter
37	808009100	Supporter adjusting plate
38	673022002	Spring washer
39	000070609	Washer 6
40	000013903	Snap ring CS-5
41	000002507	Snap ring E-4
42	000111902	Hexagonal socket screw 3x4
43	814032008	Spring
44	814037003	Needle threader lever supporter 1
45	814038004	Needle threader lever supporter 2
46	000078320	Setscrew 3x6
47	863127003	Washer
48	861630008	Zigzag width rod (unit)
49	808015006	Zigzag width rod
50	827088009	Zigzag width rod spring
51	820373003	Setscrew 2x3
52	678084306	Eccentric pin
53	814612008	Threader shaft (unit)
54	814036002	Threader shaft
55	000265500	Guide pin E-2x12-CH
56	000265603	Guide pin E-2x6-CH
57	814035001	Threader lever
58	863128107	Threader lever spring
59	000001207	Snap ring E-2.5
60	814613009	Threader supporter shaft (unit)
61	814039005	Threader supporter shaft
62	814043105	Threader guide
63	000022204	Spring pin 2x6 (K)
64	858265008	Link plate 1
65	858266009	Link plate 2
66	862626026	Threader guide plate (unit)
67	862627108	Hook holder (unit)
68	000230403	Setscrew 2x5
69	808605803	Zigzag width motor (unit)
70	809019014	Motor cover
71	000081005	Setscrew 4x8
72	102408089	Needle
73	660509008	Presser foot (unit)
74	660806008	Presser foot holder (unit)
75	832523007	Zigzag foot (unit)
76	660106001	Setscrew

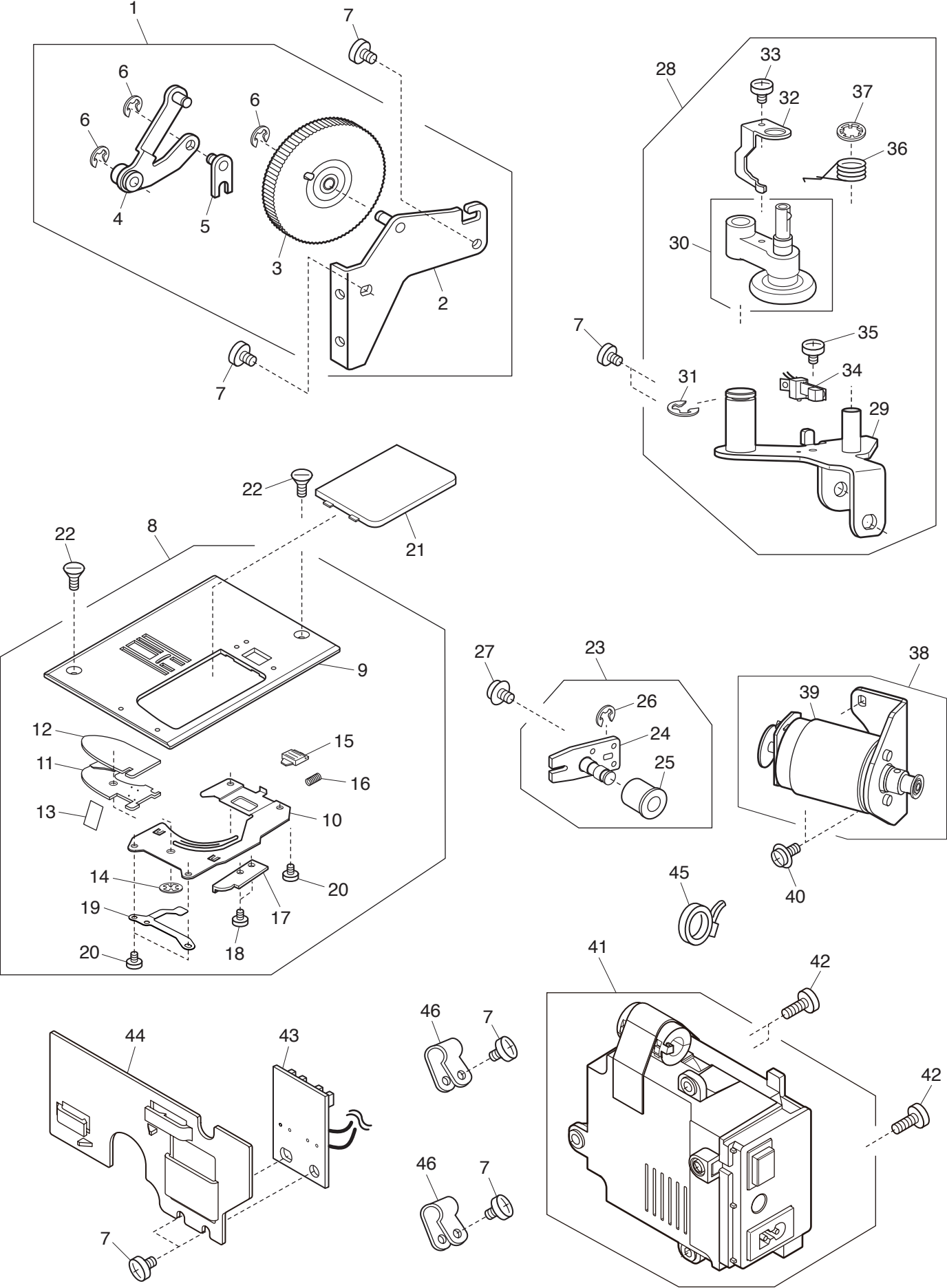
PARTS LIST



PARTS LIST

KEY NO.	PARTS NO.	DESCRIPTION
1	809620704	Hook race (whole unit)
2	809621015	Hook race (unit)
3	660536004	Hook body (unit)
4	508118001	Washer
5	820123006	Hook race shaft
6	820124007	Hook shaft oil wick (1)
7	820125008	Hook shaft oil wick (2)
8	000038409	Washer
9	508139008	Magnet set plate
10	627192001	Washer
11	625102008	Washer
12	508072002	Hook race shaft base
13	000111304	Hexagonal socket screw 5x5
14	000103705	Setscrew 4x5
15	627567104	Bobbin holder stopper (unit)
16	000101404	Setscrew 4x6
17	809607200	Feed regulator (unit)
18	000115205	Setscrew TP 4x6
19	809602009	Lower shaft (unit)
20	808027207	Lower shaft
21	508021006	Upper shaft gear
22	000004200	Spring pin 3x18
23	000038502	Washer
24	508054008	Shaft supporter plate
25	820166001	Lower shaft ring
26	000111201	Hexagonal socket screw 4x4
27	809017001	Lower shaft supporter
28	809016000	Lower shaft supporter plate
29	000081005	Setscrew 4x8
30	809014008	Feed cam
31	000005407	Spring pin 3x12
32	808137005	Lower shaft gear
33	846103000	Feed lifting cam
34	820161006	Feed lifting pin
35	808075004	Feed lifting cam spring
36	000022802	Spring pin 2x12
37	809013007	Feed fork
38	809015009	Feed fork spring
39	820172000	Pin
40	000071105	Washer 5
41	809064003	Needle plate set plate (right)
42	000063104	Nut 3-2-5.5
43	825515004	Feed base plate (unit)
44	825237009	Setscrew
45	809623305	Thread cutter (unit)
46	808105107	Slide position adjusting plate
47	732034003	Lower shaft bushing
48	809053009	Feed balancing dial 2
49	809042005	Lower shaft bushing set plate
50	000115607	Setscrew TP 4x8
51	000101703	Setscrew 4x12
52	858570009	Bobbin holder (unit)
53	102261103	Bobbin

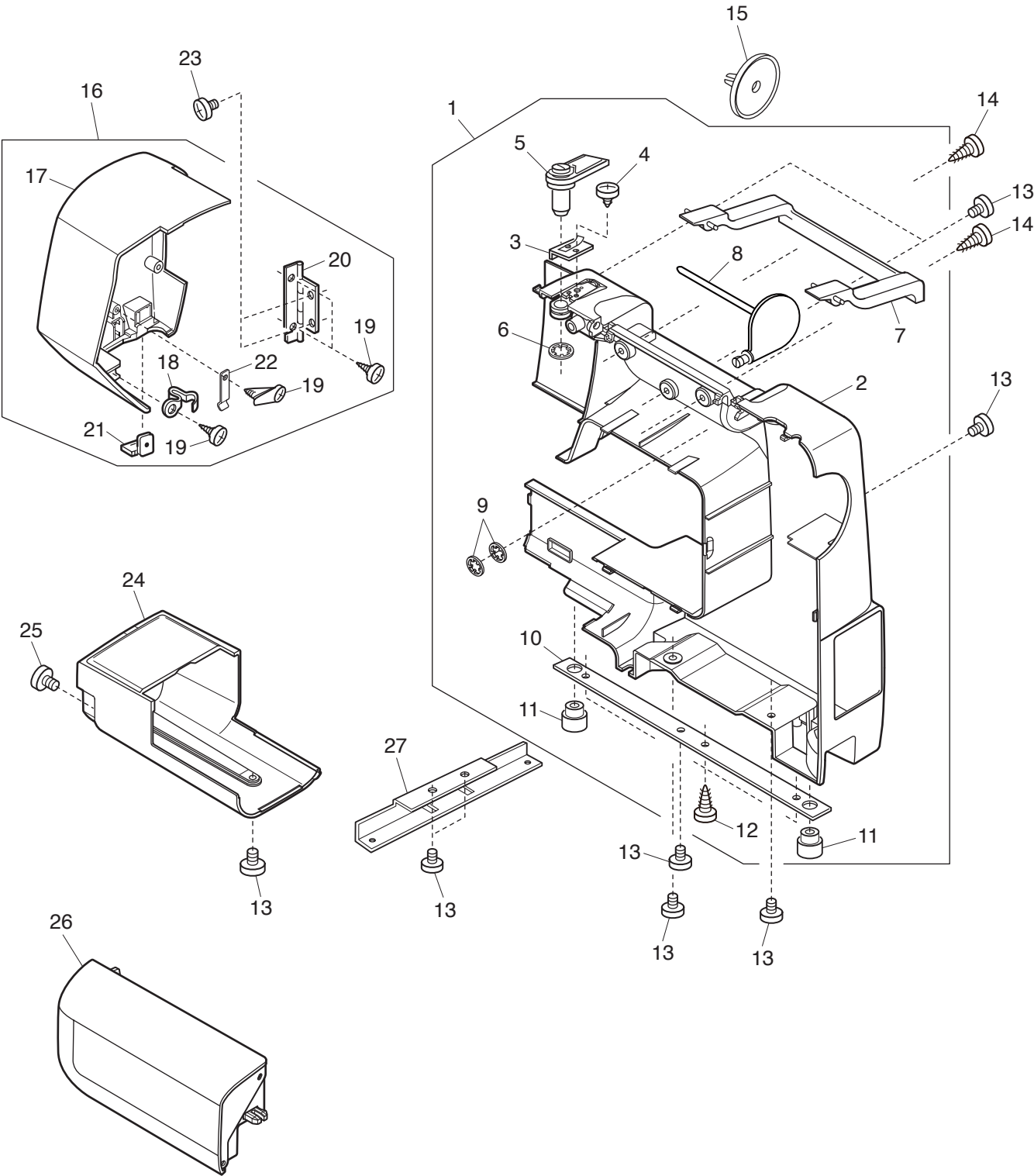
PARTS LIST



PARTS LIST

KEY NO.	PARTS NO.	DESCRIPTION
1	809608005	Presser foot pressure adjustment (unit)
2	809018002	Presser foot pressure adjusting set plate
3	808078203	Presser foot pressure dial
4	808079008	Adjusting arm 1
5	808080002	Adjusting arm 2
6	000002105	Snap ring E-3
7	000081005	Setscrew 4x8
8	809616017	Needle plate (unit)
9	809132003	Needle plate
10	809133004	Hook cover plate supporter
11	809134005	Hook cover plate supporter base
12	809135006	Guide holder
13	809137008	Cutter
14	000014306	Snap ring CS-3
15	825016000	Hook cover plate release button
16	825017001	Spring
17	809050006	Rotation stopper
18	000163703	Setscrew 2x3.5
19	809184000	Spring
20	820374004	Setscrew 2x2.3
21	809136100	Hook cover plate
22	681009101	Setscrew
23	808614001	Idler (unit)
24	808038005	Idler set plate
25	625217100	Idler
26	000002806	Snap ring E-6
27	000115607	Setscrew TP 4x8
28	808615002	Bobbin winder (unit)
29	808039006	Bobbin winder set plate
30	508507001	Bobbin winder arm (unit)
31	000001609	Snap ring E-5
32	508111004	Clutch lever
33	000120203	Setscrew 3x8 (B)
34	856512100	Switch (unit)
35	000081706	Setscrew 2.5x5
36	808040000	Spring
37	000013903	Snap ring CS-5
38	808617004	DC motor (unit)
39	808502005	DC motor
40	000115700	Setscrew TP 4x10
41	808668402	Switching regulator (unit) (with Auto-off-timer) *must be used with:809405066 Printed circuit board A (unit)
42	000103509	Setscrew 4x10
43	808504007	Printed circuit board P (unit)
44	808181004	Cord guide
45	000053008	Cord binder
46	000188405	Nylon clip ACC-2

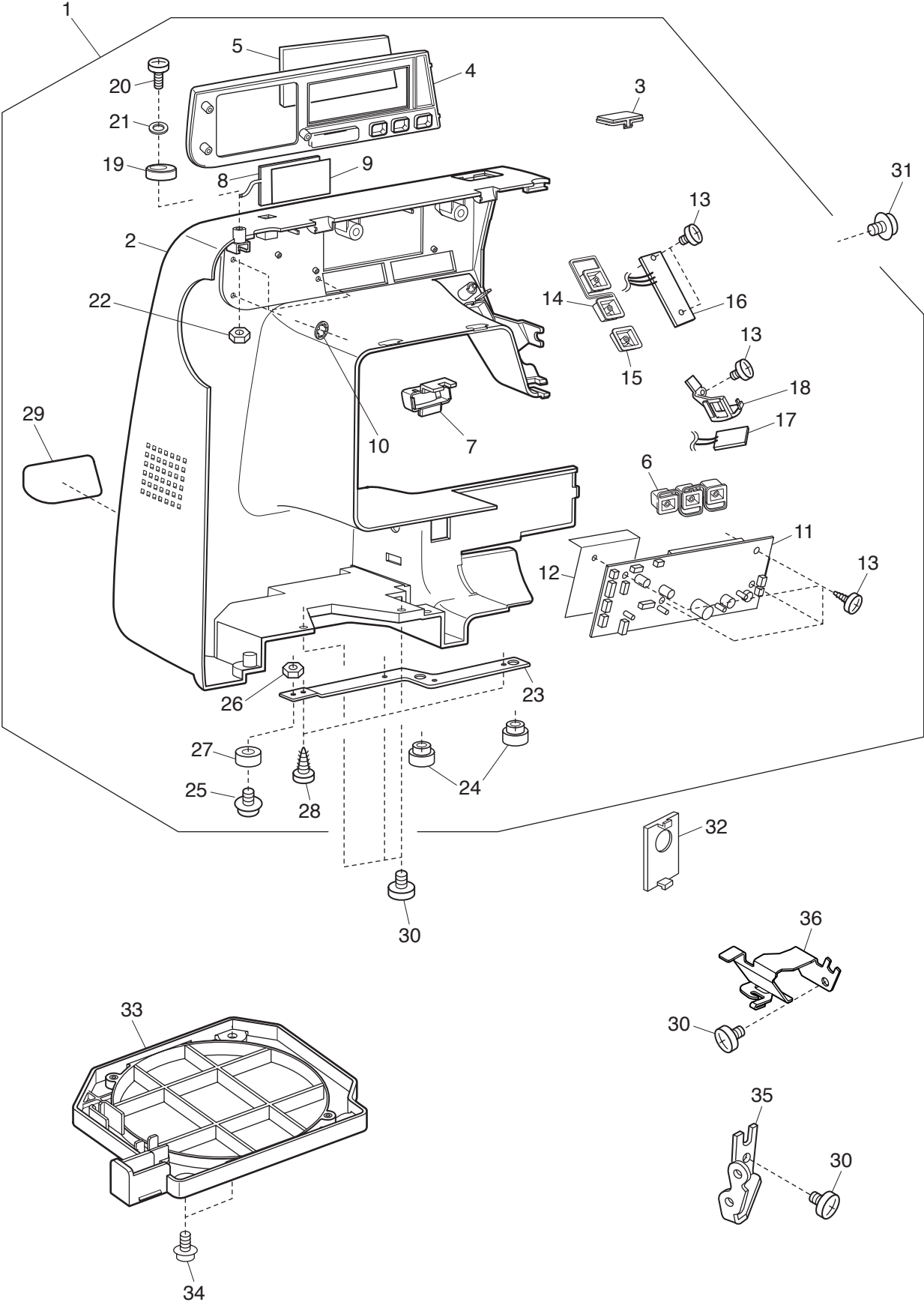
PARTS LIST



PARTS LIST

KEY NO.	PARTS NO.	DESCRIPTION
1	809604322	Rear cover (unit)
2	809025A06	Rear cover
3	827503108	Top cover thread guide (unit)
4	000162001	Setscrew 2.6x5 (B)
5	650503322	Thread guide (unit)
6	000014409	Snap ring CS-8
7	809026003	Carrying handle
8	809027004	Spool pin
9	000013800	Snap ring CS-6
10	809028005	Arm leg rear
11	735003002	Bed rubber cushion
12	000198604	Setscrew 4x14 (B)
13	000081005	Setscrew 4x8
14	000160401	Setscrew 4x16 (B)
15	822020503	Spool holder
16	809656111	Face plate (unit)
17	809186A01	Face plate
18	731067002	Face plate spring
19	000161206	Setscrew 3x10 (B)
20	851503103	Face plate hinge (unit)
21	840602006	Thread cutter (unit)
22	859233000	Magnifier fixing plate
23	000081119	Setscrew 4x6
24	808061007	Free arm cover
25	000101404	Setscrew 4x6
26	808508001	Extension table (unit)
27	809024001	Arm sole set plate

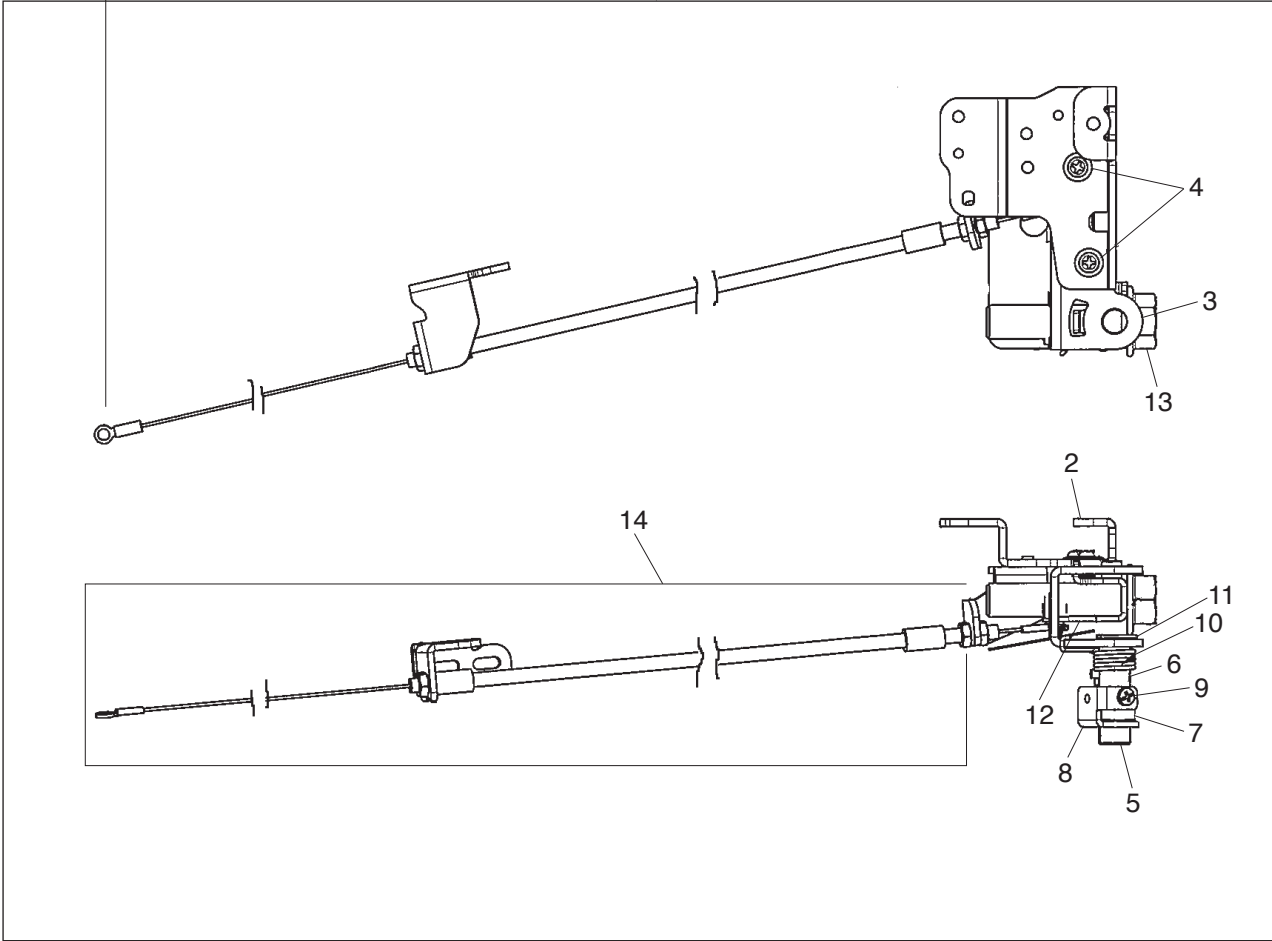
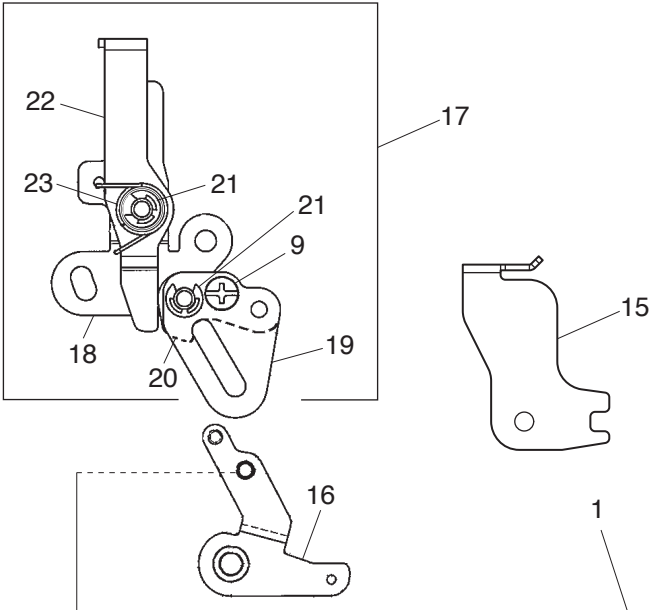
PARTS LIST



PARTS LIST

KEY NO.	PARTS NO.	DESCRIPTION
1	809605057	Front cover (unit)
2	809030A04	Front cover
3	808103002	Front cover lid
4	809031B01	Ornamental panel 1
5	809032A04	Ornamental panel 2
6	809033A01	Button 1
7	809036305	Slide volume
8	809501007	Touch panel (unit)
9	809037A05	Touch panel sheet
10	000014306	Snap ring CS-3
11	809405066	Printed circuit board A (unit)
12	809048001	Flame retardant insulating paper
13	000120203	Setscrew 3x8 (B)
14	809034A02	Button 2
15	809035A03	Start/stop button
16	809502008	Printed circuit board F (unit)
17	812502101	Printed circuit board L (unit)
18	808118000	Lamp holder 2
19	735016307	Bobbin winder stopper
20	000101828	Setscrew 4x16
21	000071013	Washer 4
22	000061205	Nut 4-3-7
23	809038008	Arm sole front
24	735003002	Bed rubber cushion
25	000114802	Setscrew TP 4x12
26	000160102	Adjustable lock nut 4
27	639005003	Rubber foot
28	000198604	Setscrew 4x14 (B)
29	101636A01	Emblem
30	000081005	Setscrew 4x8
31	000115205	Setscrew TP 4x6
32	809039009	Cap
33	808059301	Bed cover
34	000149312	Setscrew 3x8
35	639080002	Front cover set plate
36	809188004	Arm thread guide

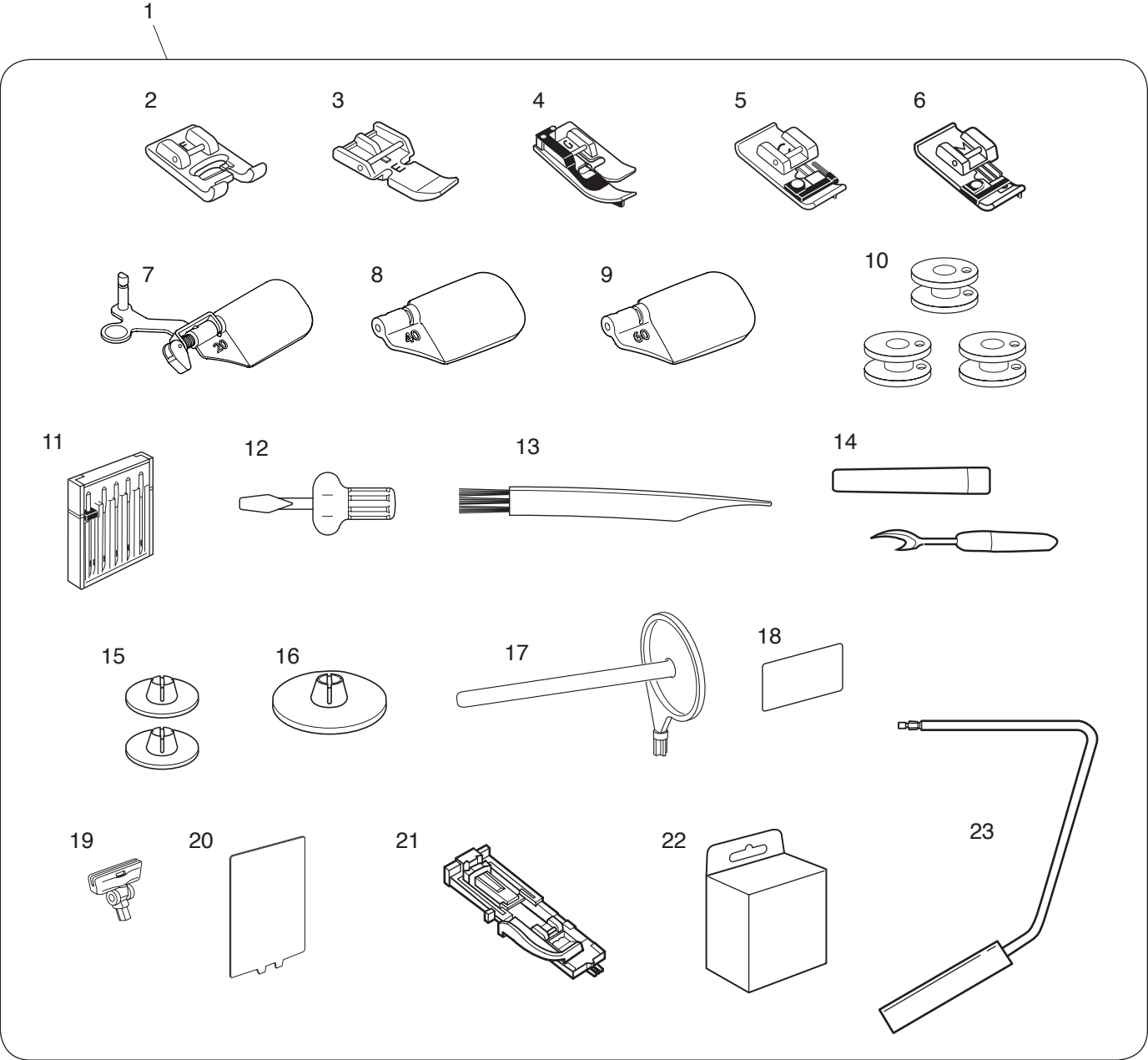
PARTS LIST



PARTS LIST

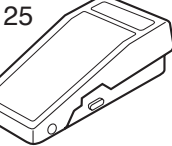
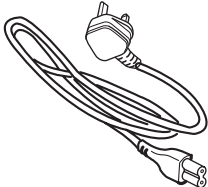
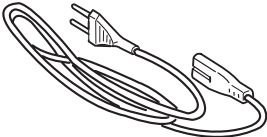
KEY NO.	PARTS NO.	DESCRIPTION
1	809643208	Knee lift shaft (unit)
2	809154001	Knee lifter base 1
3	809155002	Knee lifter base 2
4	000115205	Setscrew TP 4x6
5	809156003	Knee lift shaft
6	000004107	Spring pin 3x14
7	846297002	Stopper
8	861072006	Stopper plate
9	000101105	Setscrew 3x4
10	809157004	Knee lift shaft spring
11	000030205	Snap ring E-8
12	809158005	Knee lift link plate
13	000138503	Bolt 5x12
14	809647006	Wire (unit)
15	809162002	Wire guide 2
16	809163003	Knee lift arm
17	809644003	Thread tension release link (unit)
18	809166006	Thread tension release base
19	809167007	Thread release cam guide
20	809168008	Thread release cam
21	000002105	Snap ring E-3
22	809169009	Thread tension release link
23	809170003	Thread release link spring

PARTS LIST

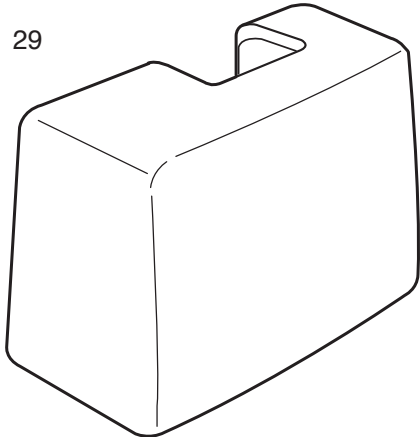


24 (Continental Europe)

24 (UK)



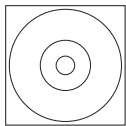
29



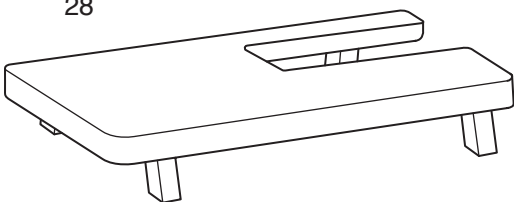
26



27



28



PARTS LIST

KEY NO.	PARTS NO.	DESCRIPTION
1	809870365	Standard accessories (unit)
2	822804118	Satin foot (F) (unit)
3	808852003	Zipper foot (E) (unit)
4	825817009	Blind hem foot (G) (unit)
5	822801001	Overedge foot (C) (unit)
6	822808008	Overcast foot (M) (unit)
7	858415005	Optic magnifier (20)
8	858415500	Optic magnifier (40)
9	858415603	Optic magnifier (60)
10	102261103	Bobbin
11	820827007	Assorted needle set (unit)
12	820832005	Screwdriver
13	802424004	Lint brush
14	647808009	Seam ripper (buttonhole opener)
15	822019509	Spool holder (small)
16	822020503	Spool holder (large)
17	809041004	Spool pin
18	809806005	Caution card (included in instruction book)
19	809809008	Stitch chart holder
20	809801A10	Stitch chart
21	753801004	Buttonhole foot (R) (unit)
22	200100007	Quilting attachment (unit)
23	846811008	Knee lifter
24	830335004	Power supply cord (Continental Europe)
	830377008	Power supply cord (UK)
25	C-1036	Foot control
26	809851186	Instruction book (Dutch)
	809851197	Instruction book (German)
	809851201	Instruction book (French)
	809851153	Instruction book (English)
27	809862009	Instructional DVD
28	808401003	Large extension table (unit)
29	404701404	Hard cover