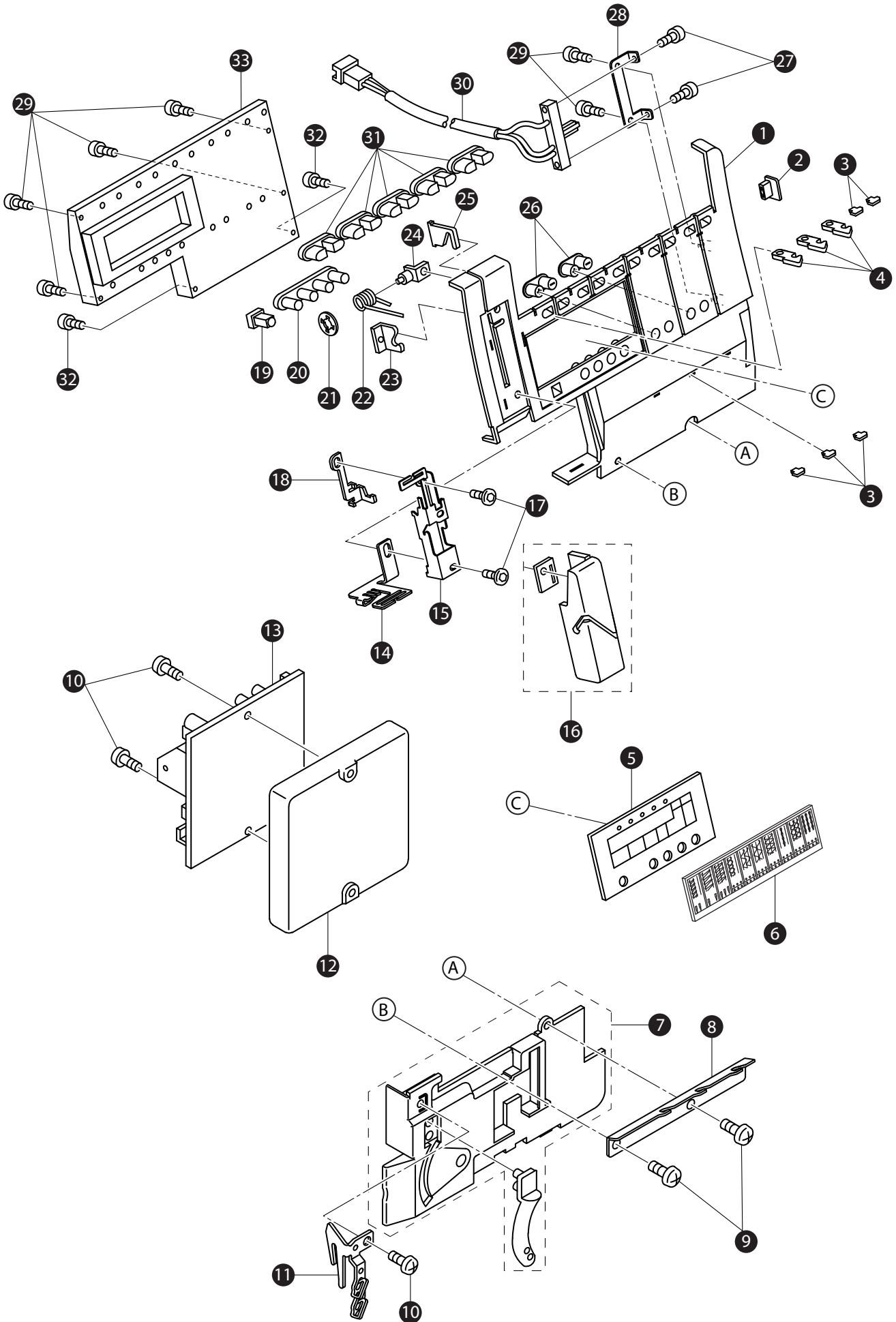


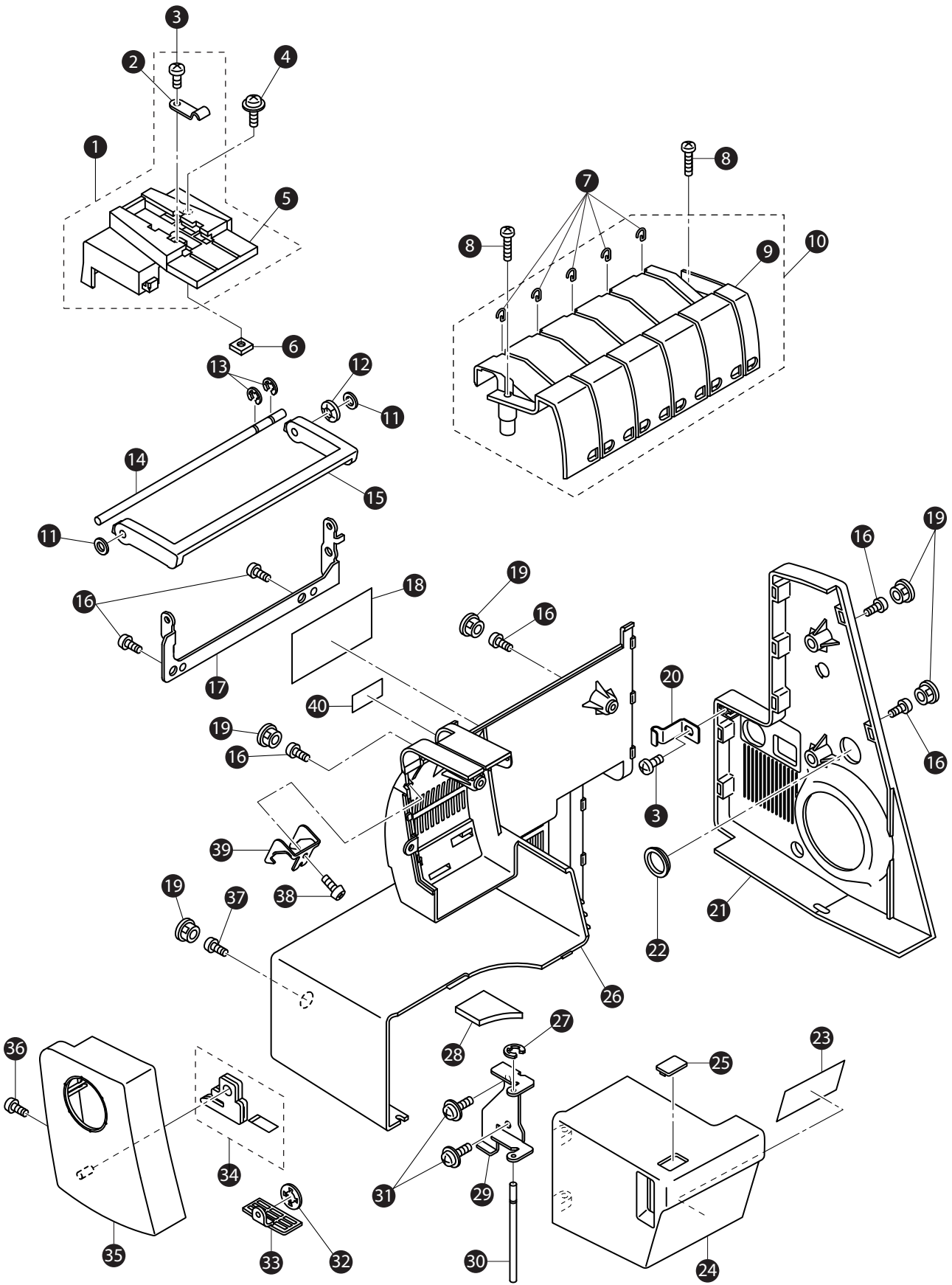
# **PFAFF**

**coverlock  
4874**

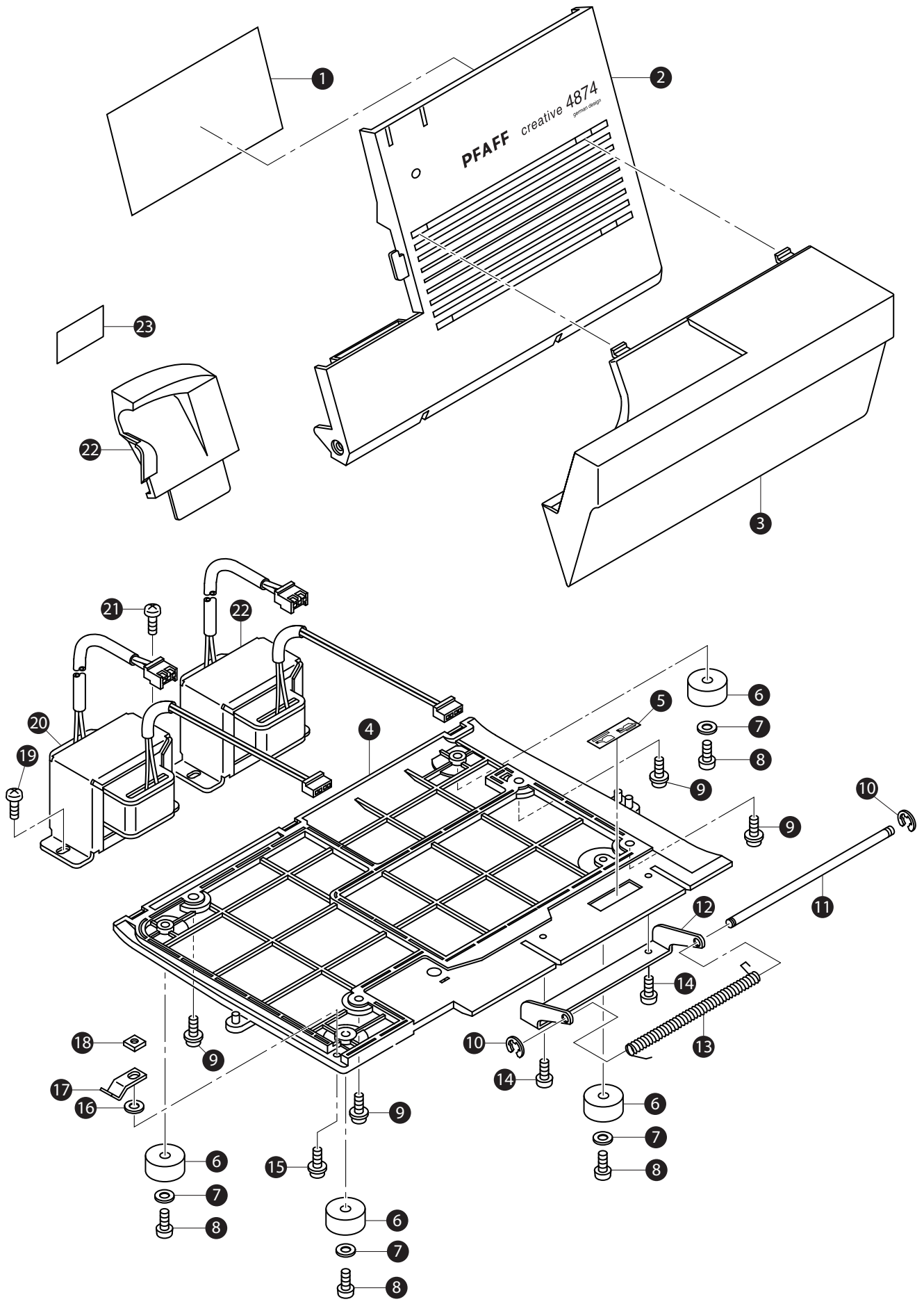
**Ersatzteile-Liste  
List of spare parts  
Liste des pièces détachées  
Catalogo pezzi staccati  
Lista de piezas de repuesto**



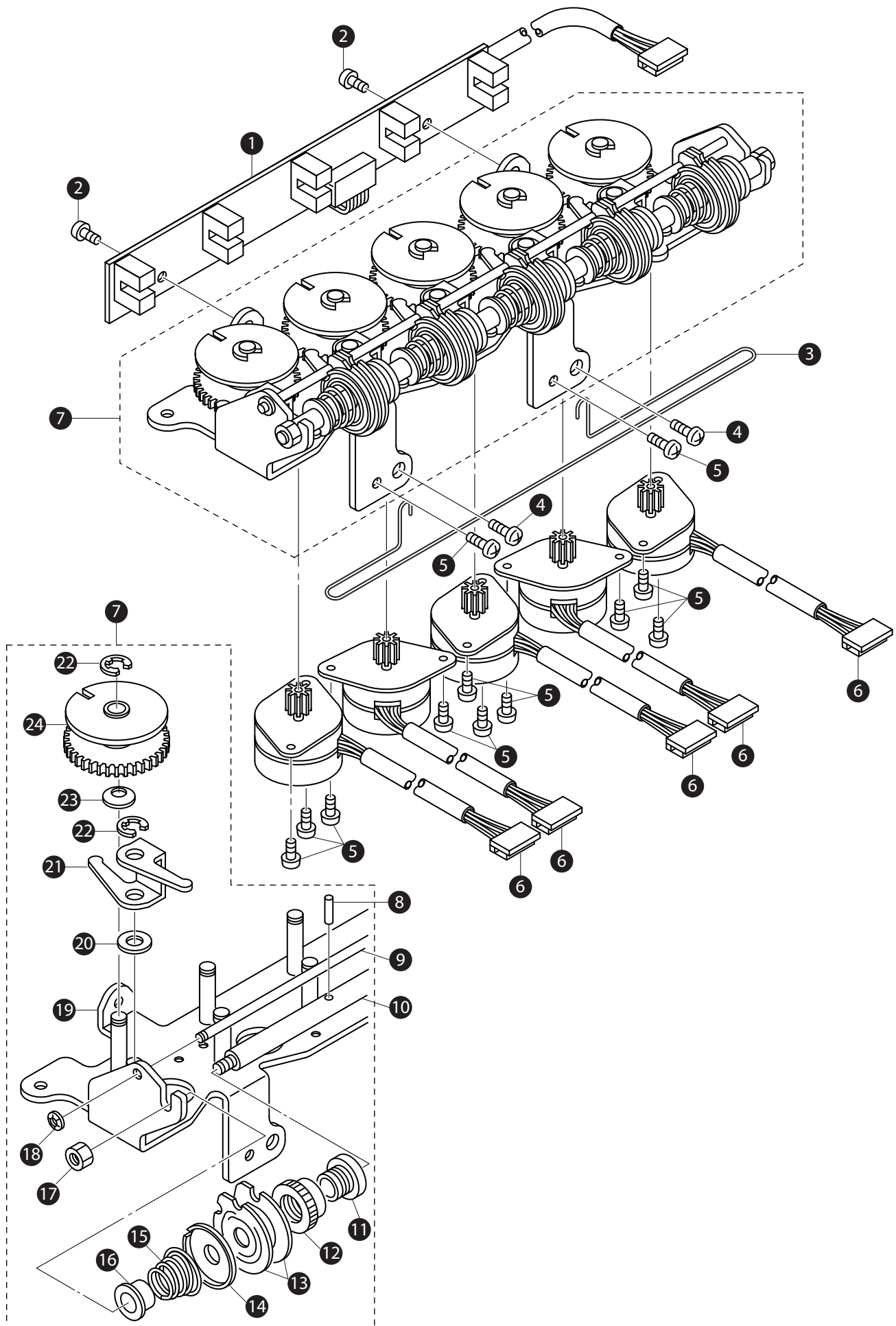
<b>Pos</b>	<b>Part list number</b>	<b>Description</b>
1	29-924993-83/003	FRONT PANEL 4874
2	29-924993-81/124	SPEED REDUCER KNOB
3	29-924993-81/606	TOP THREAD GUIDE
4	29-924993-81/176	THREAD GUIDE
5	29-924993-83/047	DISPLAY WINDOW 4874
6	29-924993-83/046	TOP DECO COVER PROGRAM STICKER
7	29-924993-83/006	INSIDE COVER ASSEM. 4874
8	29-924993-81/129	THREAD GUIDE PLATE 4872
9	29-924993-81/407	SCREW M 4 X 10
10	29-924993-81/414	SCREW M 4 X 12
11	29-924993-81/289	THREAD GUIDE
12	29-924993-81/605	PCB INSULATION CASE
13	29-924993-83/076	MAIN PCB 120 V 4874
	29-924993-83/077	MAIN PCB 230 V 4874
14	29-924993-83/007	NEEDLE THREAD GUIDE
15	29-924993-83/040	LEVER NOISE COVER BRACKET
16	29-924993-81/313	TAKE UP LEVER NOISE COVER ASSE
17	29-924993-81/515	NEEDLE PLATE FOR PERL FOOT
18	29-924993-81/729	COVER HEM THREAD GUIDE
19	29-924993-83/084	LCDFUNCTION KEY TENSION REL.
20	29-924993-83/085	LCD FUNCTION KEY +/- M/P
21	29-924993-81/400	CLIP RING
22	29-924993-81/600	CHECK SPRING
23	29-924993-81/688	NEEDLE THREAD GUIDE
24	29-924993-81/601	CHECK SPRING STUD
25	29-924993-81/175	CS THREAD BASE GUIDE
26	29-924993-83/009	S./L.D.F.KEY
27	29-924993-81/347	SCREW M 2 x 3
28	29-924993-81/158	SPEED REDUCER HOLDER
29	29-924993-81/490	TAPPING SCREW M 3 x 8,5
30	29-924993-81/226	SPEED REDUCER
31	29-924993-81/207	LCD FUNCTION KEY/TENSION +/-
32	29-924993-83/106	TAPPING SCREW M 3 x 6
33	29-924993-83/008	LCD DISPLAY PCB 4874



<b>Pos</b>	<b>Part list number</b>	<b>Description</b>
1	29-924993-81/287	THREAD SPOOL STAND SUPPORT ASS
2	29-924993-81/242	SPRING
3	29-924993-81/490	TAPPING SCREW M 3 x 8,5
4	29-924993-81/443	SCREW 4 x 12
5	29-924993-81/241	STAND SUPPORT
6	29-924993-81/745	SQAURE NUT
7	29-924993-81/220	REAR THREAD GUIDE
8	29-924993-81/425	SCREW M 4 x 18
9	29-924993-83/082	TOP COVER
10	29-924993-83/101	TOP COVER COMPL.SET 4874
11	29-924993-81/411	WASHER 5 x 0,5
12	29-924993-81/442	FRICTION WASHER
13	29-924993-81/011	SNAP RING
14	29-924993-81/218	CARRY HANDLE SHAFT
15	29-924993-83/083	CARRYING HANDLE
16	29-924993-81/405	SCREW M 4 x 8
17	29-924993-81/153	HANDLE SUPPORT
18	29-924993-83/097	N/A
	29-924993-83/098	N/A
19	29-924993-81/279	SCREW HOL CAP
20	29-924993-83/043	SIDE COVER SPRING PLATE 4874
21	29-924993-83/004	SIDE COVER 4874
22	29-924993-83/005	SCREW HOLE CAP
23	29-924993-81/749	FACE COVER CAUTION LABEL
24	29-924993-81/221	SWIVEL PLATE
25	29-924993-81/117	SEAM WIDTH VIEWING WINDOW
26	29-924993-83/002	BACK COVER 4874
27	29-924993-81/014	E RING # 2,5
28	29-924993-81/346	RUBBER CUSHION
29	29-924993-83/070	SWIRL PLATE HINGE
30	29-924993-81/301	SWIVEL PLATE HINGE PIN
31	29-924993-81/005	SCREW TPM 4 x 8
32	29-924993-81/723	CLIP WASHER
33	29-924993-81/119	LIGHT BULB GUARD
34	29-924993-83/079	CHAIN OFF THREAD CUTTER
35	29-924993-83/001	SEWING LIGHT COVER 4874
36	29-924993-81/305	SCREW M 4 X 6
37	29-924993-81/407	SCREW M 4 X 10
38	29-924993-83/106	TAPPING SCREW M 3 x 6
39	29-924993-83/090	COVER THREAD GUIDE REAR SIDE
40	29-924993-83/081	PFAFF TRANSCRIPTION SEAL

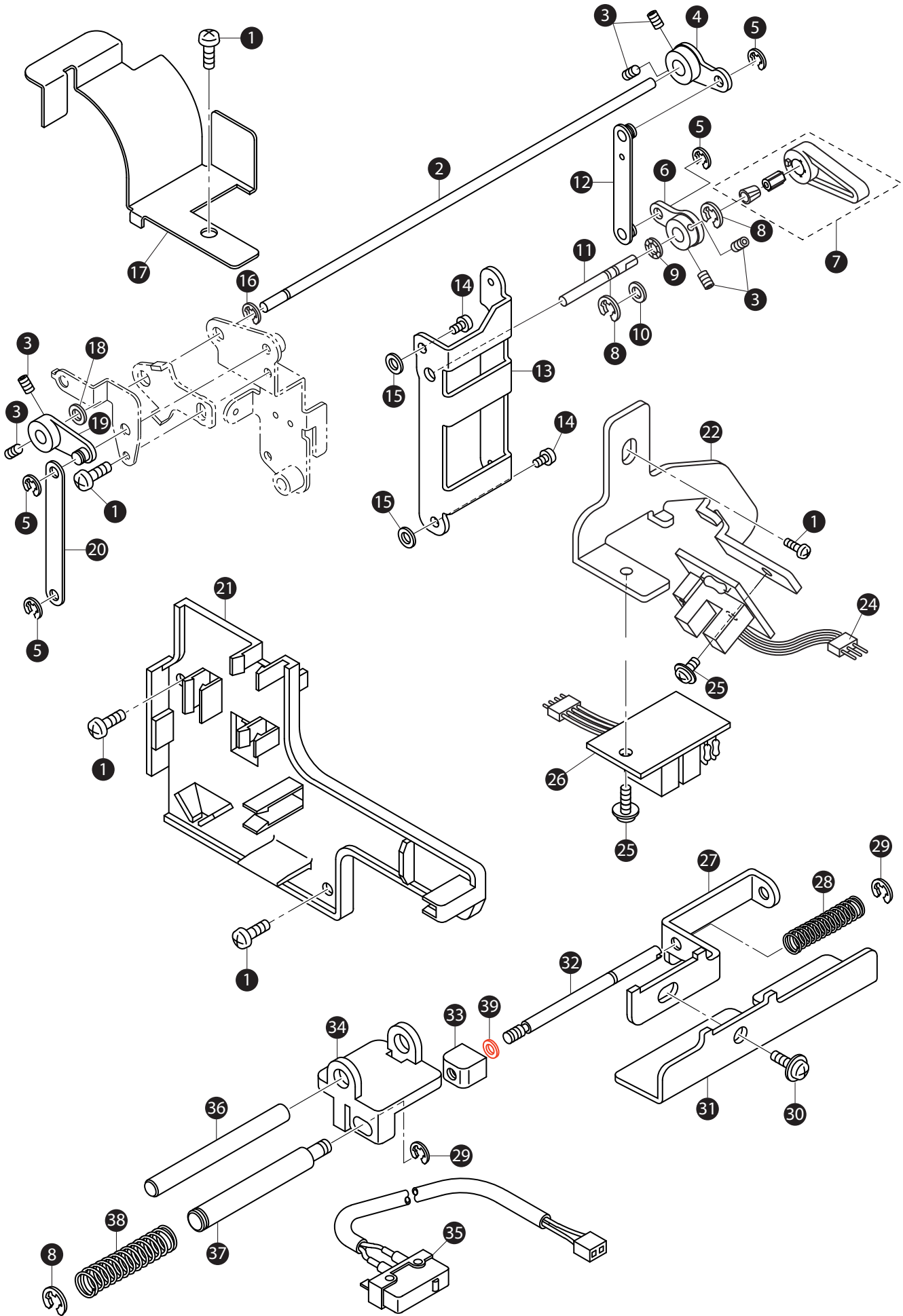


<b>Pos</b>	<b>Part list number</b>	<b>Description</b>
1	29-924993-83/010	THREADING CHART 4874
2	29-924993-83/080	LOOPER COVER 4874
3	29-924993-81/111	TRIMMING WASTE BOX
4	29-924993-81/304	BASE COVER
5	29-924993-81/489	RELEASE LEVER MARK
6	29-924993-81/748	RUBBER FOOT
7	29-924993-81/025	WASHER 4 x 10 x 0,8
8	29-924993-81/444	TAPPING SCREW
9	29-924993-81/443	SCREW 4 x 12
10	29-924993-81/010	SNAP RING
11	29-924993-81/509	FRONTFLAP HINGE AXLE
12	29-924993-81/163	LOOPER COVER HINGE
13	29-924993-81/415	FRONT FLAP SPRING
14	29-924993-81/507	TAPPING SCREW
15	29-924993-81/712	SCREW M 3 x 10
16	29-924993-81/517	WASHER 9 x 4 x 0,8
17	29-924993-81/307	SPRING STOPER PLATE 11307
18	29-924993-81/437	SPRING STOPPER PLATE 3311
19	29-924993-81/503	TAPPING SCREW
20	29-924993-83/087	TRANSFORMER SET 230 V 4874
21	29-924993-83/086	TRANSFORMER SET 120 V 4874
22	29-924993-81/110	BLODE GUARD
23	29-924993-81/784	SAFTY NOTICE STICKER

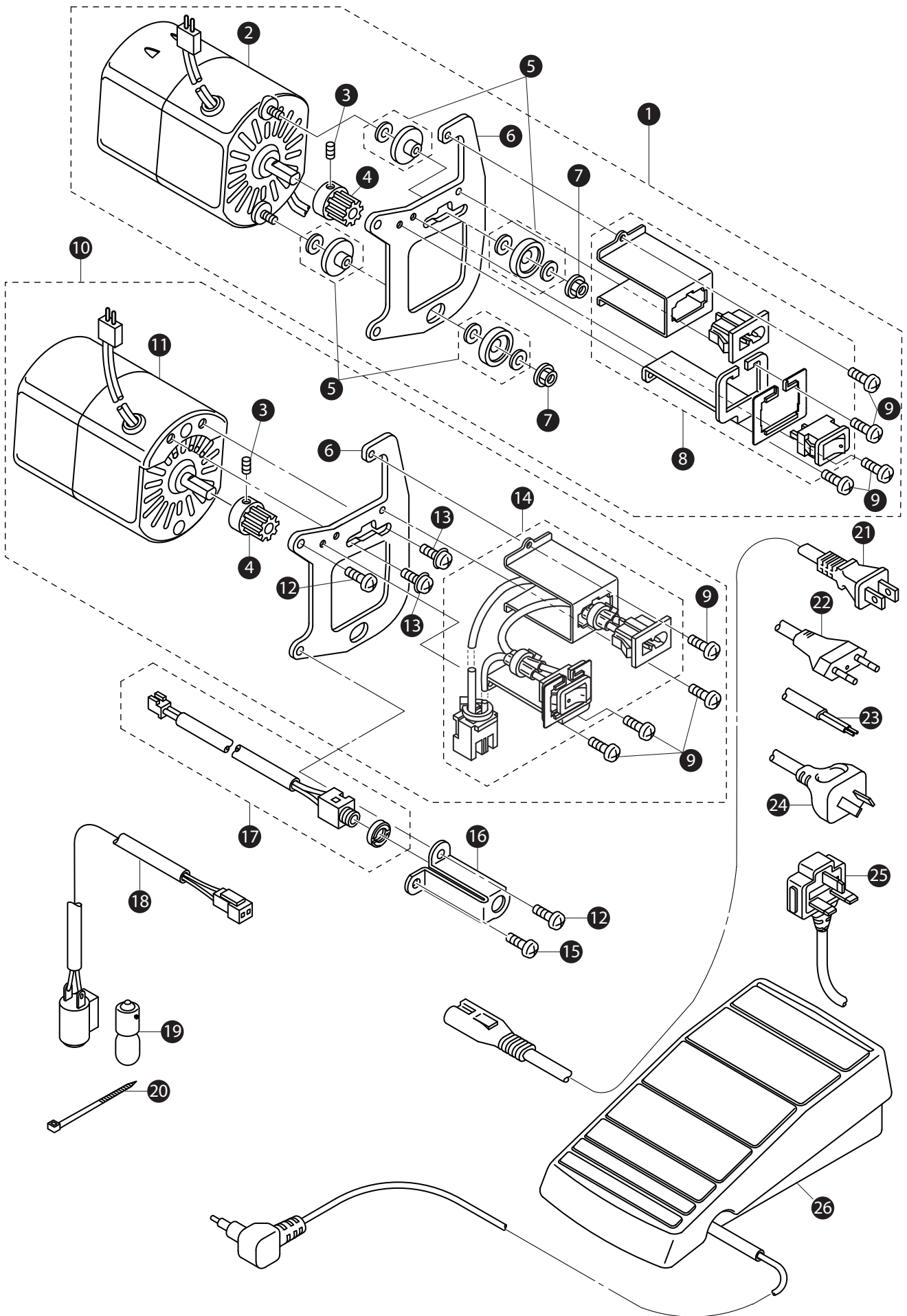




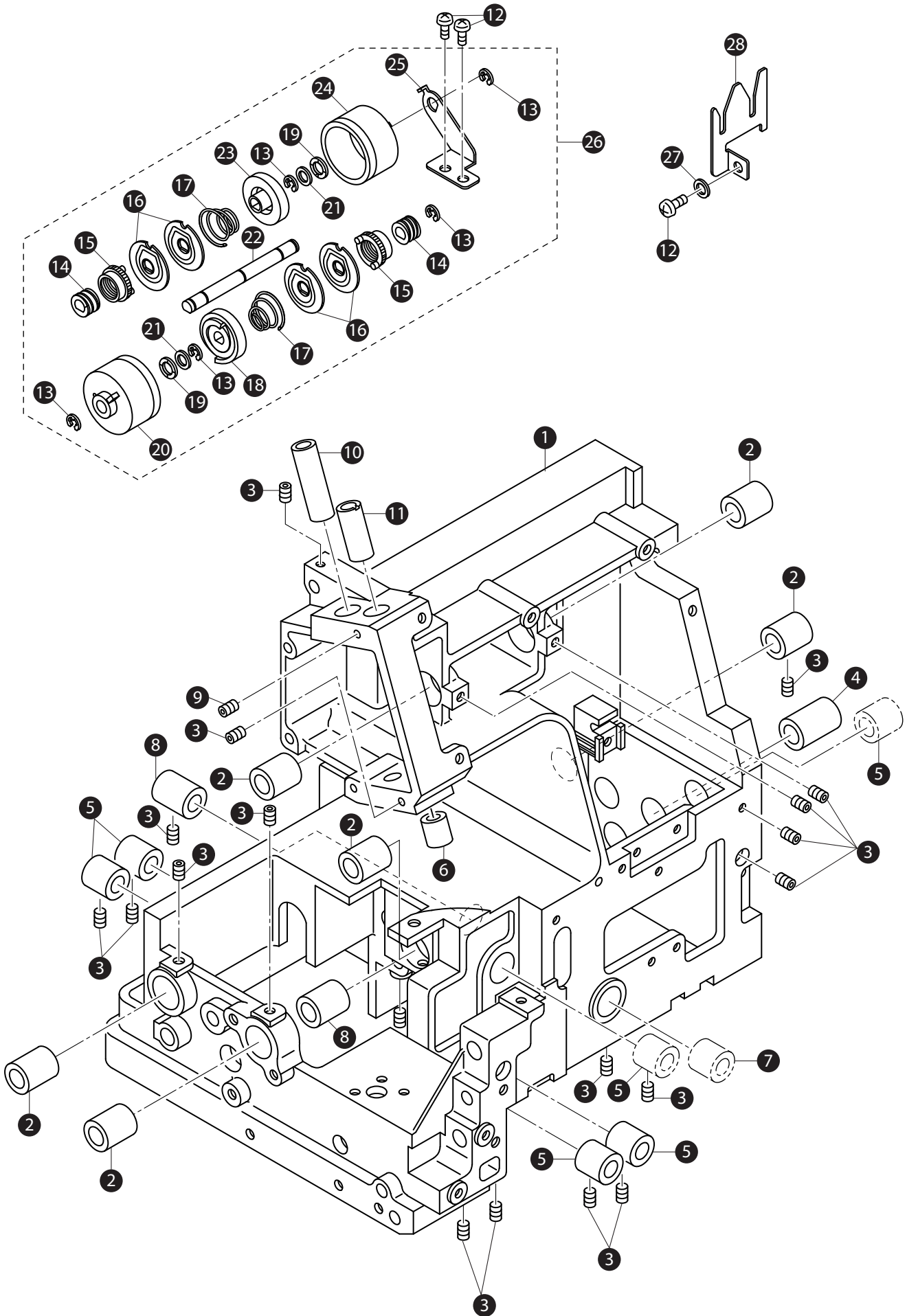
<b>Pos</b>	<b>Part list number</b>	<b>Description</b>
1	29-924993-81/178	PCB FOR DIAL TENSION NO.11178
2	29-924993-81/006	SCREW
3	29-924993-81/228	CORDS SUPPORT
4	29-924993-81/493	TAPPING SCREW M 4 x 10
5	29-924993-81/496	SCREW
6	29-924993-81/614	STEP MOTOR
7	29-924993-81/179	DIAL TENSION UNIT COMP.4872/74
8	29-924993-81/017	FASTENING PIN
9	29-924993-81/212	DT SUPPORT AXLE
10	29-924993-81/211	TENSION SHAFT
11	29-924993-81/608	TENSION SCREW
12	29-924993-81/609	D.T. NUT
13	29-924993-81/610	DIAL TENSION DISC
14	29-924993-81/611	TENSION SPRING PLATE
15	29-924993-81/731	TENSION SPRING
16	29-924993-81/612	TENSION SPRING SLIDER
17	29-924993-81/404	NUT M 4
18	29-924993-81/439	CS NUT
19	29-924993-81/181	TENSION UNIT SUPPORT 4872/74
20	29-924993-81/009	WASHER STW -FT 6 x 1
21	29-924993-81/260	TENSION CAM LEVER 4872/74
22	29-924993-81/011	SNAP RING
23	29-924993-81/506	CURVED WASHER 5 x 1,2 x 0,1
24	29-924993-81/607	DIAL TENSION CAM



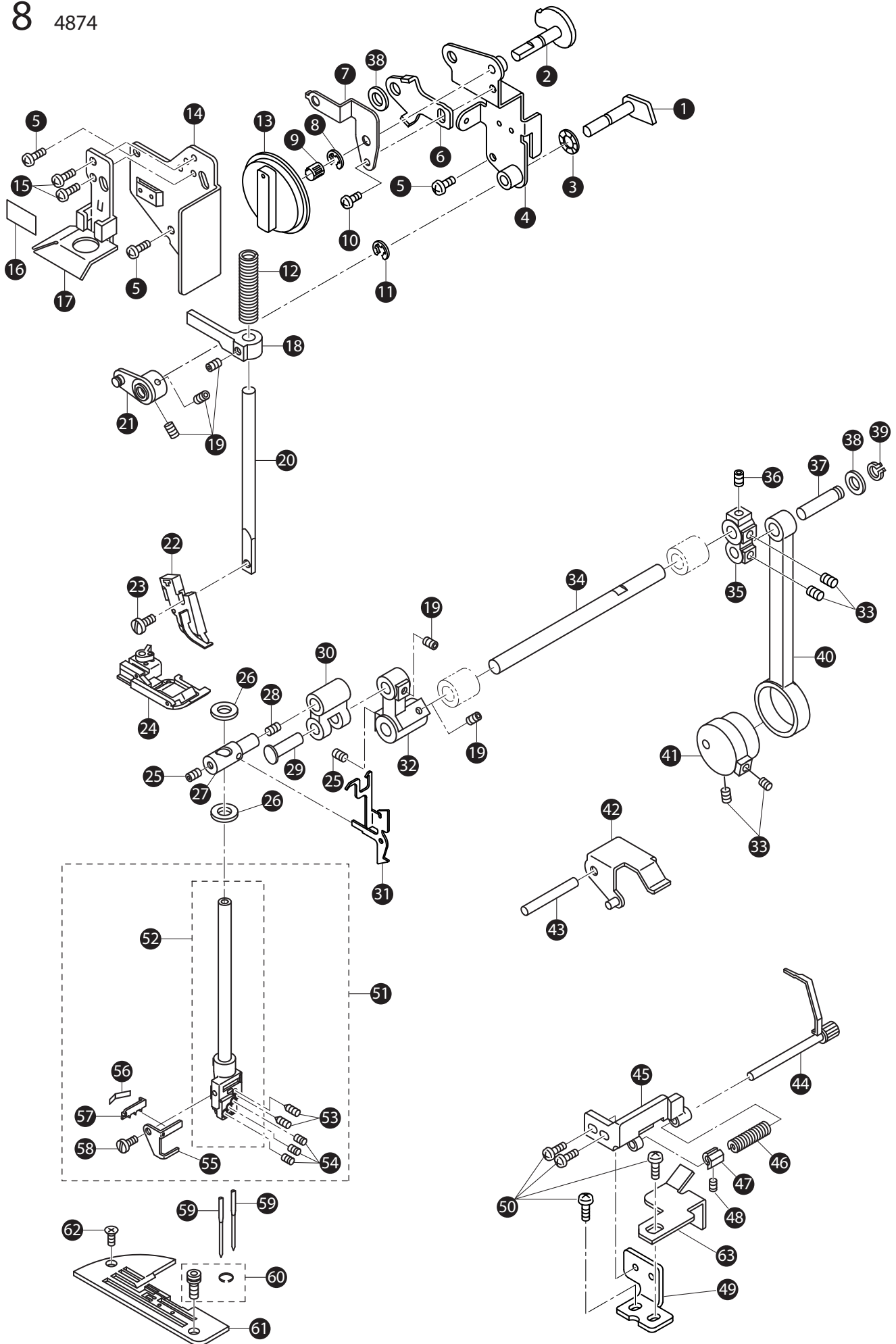
<b>Pos</b>	<b>Part list number</b>	<b>Description</b>
1	29-924993-81/406	SCREW M 4 x 6
2	29-924993-81/160	PRESSER FOOT AXLE
3	29-924993-81/410	SCREW M 4 X 4
4	29-924993-81/146	PRESSER FOOT LEVER RIGHT UPPER
5	29-924993-81/011	SNAP RING
6	29-924993-81/148	PRESSER FOOT LEVER RIGHT LOWER
7	29-924993-83/102	PRESSER FOOT LIFTER 4874
8	29-924993-81/012	SNAP RING
9	29-924993-81/401	WASHER 6 x 14 x 0,15
10	29-924993-81/009	WASHER STW -FT 6 x 1
11	29-924993-81/161	PRESSER FOOT LEVER AXLE 11161
12	29-924993-81/215	PR.FOOT LIFTER CONN.AXLE RIGHT
13	29-924993-81/169	PRESSER FOOT LIFTER SUPPORT
14	29-924993-81/493	TAPPING SCREW M 4 x 10
15	29-924993-81/281	WASHER 12 X 4 X 2
16	29-924993-81/013	SNAP RING 6
17	29-924993-81/230	AC COVER 4874
18	29-924993-81/420	WASHER STW - FT 7 x 1
19	29-924993-81/142	PRESSER FOOT LEVER (LEFT UPPER
20	29-924993-81/170	LIFTER CONN AXLE LEFT
21	29-924993-81/671	ACCESSORY STAND
22	29-924993-83/064	NEEDLE POS. SENSORS SUPPORT
23		
24	29-924993-83/067	NEEDLE POSITION SENSOR 4874
25	29-924993-83/092	TP SCREW M 3 x 4
26	29-924993-83/066	ENCODE SENSOR 4874
27	29-924993-81/779	ROD BRACKET
28	29-924993-81/680	STITCH TONGUE SPRING 10209
29	29-924993-81/010	SNAP RING
30	29-924993-81/005	SCREW TPM 4 x 8
31	29-924993-81/303	SWIVEL PLATE SUPPORT
32	29-924993-81/693	PUSH PIN B
33	29-924993-81/690	MICRO SWITCH CONN ROD
34	29-924993-81/689	MICRO SWITCH SUPPORT
35	29-924993-81/670	MICRO SWITCH FOR FRONT FLAP
36	29-924993-81/691	SLIDE SHAFT 4874
37	29-924993-81/692	PUSH PIN 4874
38	29-924993-81/677	SIDE DOOR SWITCH SPRING
39	29-924993-81/526	WASHER 3 x 6 x 0,2



<b>Pos</b>	<b>Part list number</b>	<b>Description</b>
1	29-924993-81/325	MOTOR SET 120 V 4872/74
2	29-924993-81/326	MOTOR 120 V 4872/4874
3	29-924993-81/003	GRUB SREW M 4 X 5
4	29-924993-81/780	MOTOR PULLEY
5	29-924993-81/521	MOTOR INSULATING RING SET
6	29-924993-81/710	MOTOR BRACKET
7	29-924993-81/516	MOTOR SET NUT M 4
8	29-924993-81/356	MOTOR TYPE 2 4872/74 120V
9	29-924993-81/006	SCREW
10	29-924993-81/327	MOTOR SET 230 V 4872/74
11	29-924993-81/328	MOTOR 230 V
12	29-924993-81/493	TAPPING SCREW M 4 x 10
13	29-924993-81/403	SCREW M 4 X 10
14	29-924993-81/357	MOTOR TYPE 2 4872/74 230V
15	29-924993-81/503	TAPPING SCREW
16	29-924993-81/155	JACK BRACKET
17	29-924993-83/089	JACK SET 4874
18	29-924993-83/088	LAMP SOCKET SET 4874
19	29-924993-81/362	LICHT BULB 12 V
20	29-924993-81/433	FASTENING BAND
21	29-924993-81/798	N/A
22	29-924993-81/486	POWER SUPPLY CORD SET EUROPE
23	29-924993-81/485	POWER SUPPLY SET AUS/NZ
24	29-924993-81/525	POWER SUPPLY CORD SET (GB)
25	29-924993-81/718	FOOT CONTROL FOR 4850/62/72
26	29-924993-81/325	MOTOR SET 120 V 4872/74

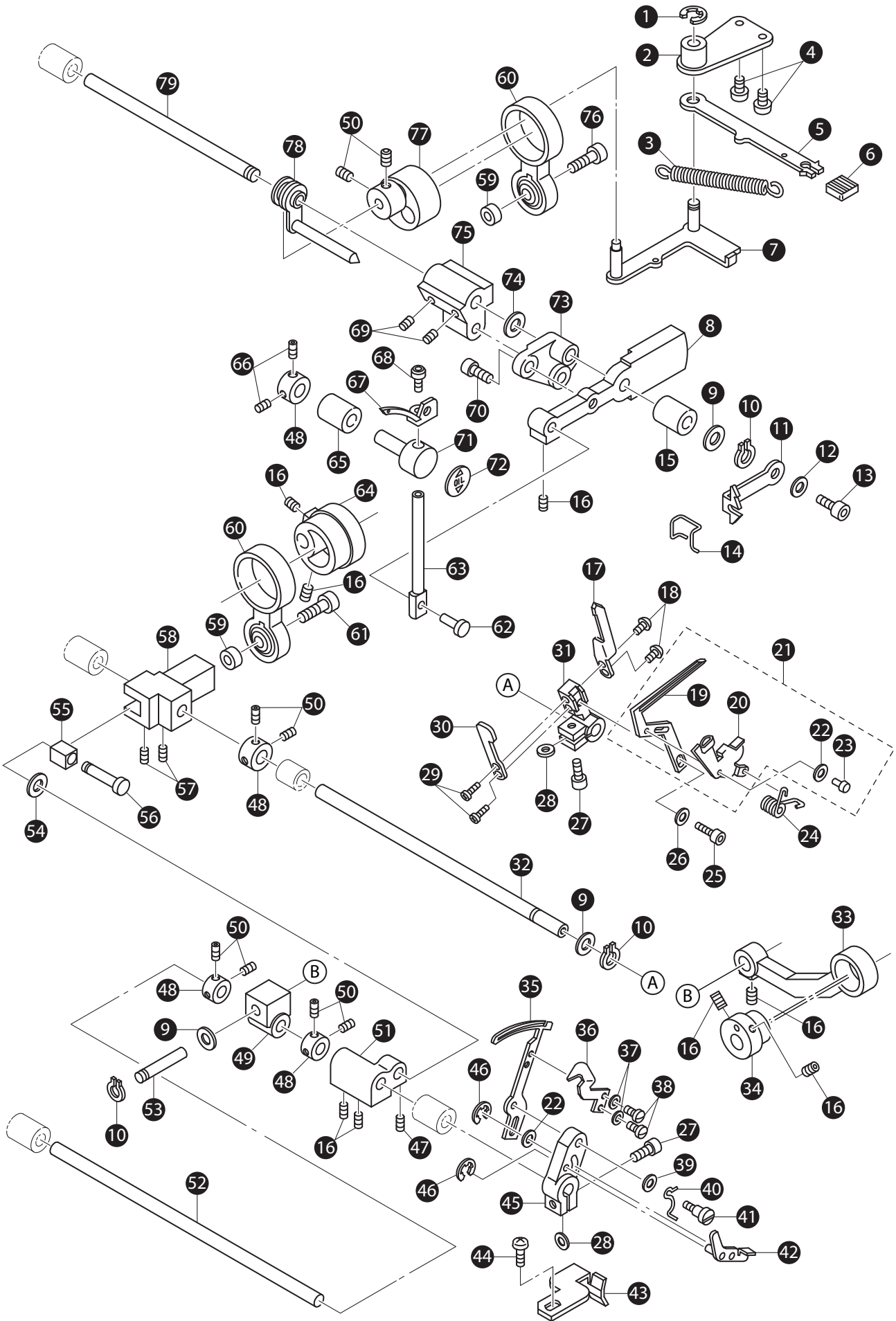


<b>Pos</b>	<b>Part list number</b>	<b>Description</b>
1	29-924993-83/072	HOUSING
2	29-924993-81/456	BEARING
3	29-924993-81/003	GRUB SREW M 4 X 5
4	29-924993-81/684	BEARING
5	29-924993-81/463	LOOPER AXLE BEARING
6	29-924993-81/422	LOWER NEEDLE BAR BEARING
7	29-924993-81/685	BEARING
8	29-924993-81/686	BEARING
9	29-924993-81/447	GRUB SCREW
10	29-924993-81/459	PRESSER BAR BEARING
11	29-924993-81/421	UPPER NEEDLE BAR BEARING
12	29-924993-81/406	SCREW M 4 x 6
13	29-924993-81/011	SNAP RING
14	29-924993-81/560	D.T. SCREW
15	29-924993-81/609	D.T. NUT
16	29-924993-81/559	TENSION DISC
17	29-924993-83/115	SPRING M 1,0
18	29-924993-81/558	D.T.CAM
19	29-924993-81/401	WASHER 6 x 14 x 0,15
20	29-924993-83/026	TOP DECO DIAL TENSION LEFT
21	29-924993-81/901	WASHER 6 x 10,5 x 0,5
22	29-924993-83/025	DIAL TENSION SHAFT
23	29-924993-83/028	D.T. CAM
24	29-924993-83/027	TOP DECO DIAL TENSION RIGHT
25	29-924993-83/023	TOP DECO DIAL TENSION SUPPORT
26	29-924993-83/024	DIAL TENSION ASSEM. UNIT
27	29-924993-81/022	D.F.AXLE
28	29-924993-83/029	TOP DECO COVER THREAD HOLDER

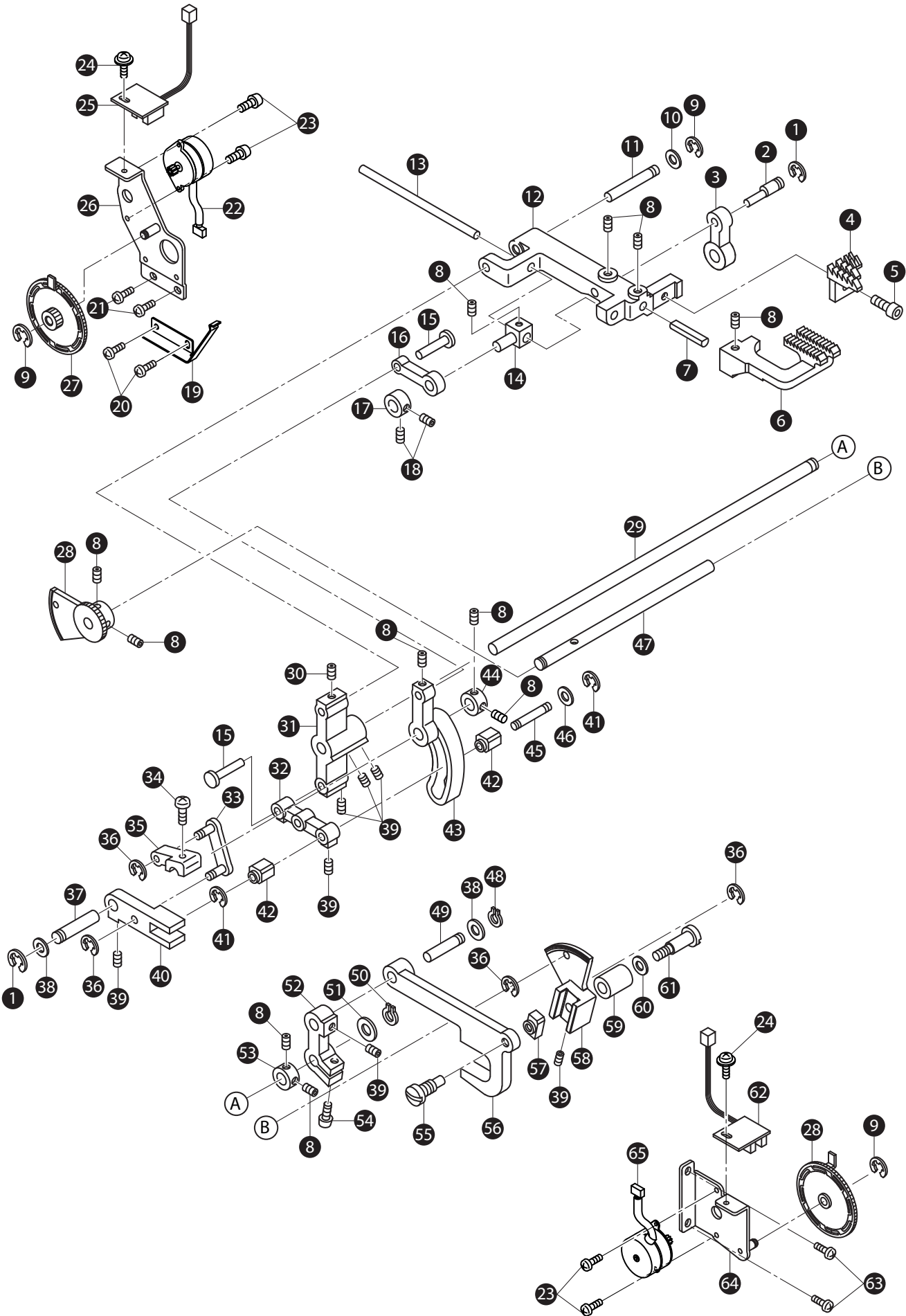




<b>Pos</b>	<b>Part list number</b>	<b>Description</b>
1	29-924993-81/461	PRESSER BAR LIFT CRANK
2	29-924993-81/150	DARNER CAM
3	29-924993-81/401	WASHER 6 x 14 x 0,15
4	29-924993-81/136	DIFFERENTIAL FEED RATCHET
5	29-924993-81/407	SCREW M 4 X 10
6	29-924993-81/300	PRESSER BAR LIFTING GUARD
7	29-924993-83/042	TENSION UNIT SUPPORT PLATE
8	29-924993-81/012	SNAP RING
9	29-924993-81/429	KNOB SPRING
10	29-924993-81/406	SCREW M 4 x 6
11	29-924993-81/011	SNAP RING
12	29-924993-81/721	PRESSER BAR SPRING
13	29-924993-81/121	PRESSER FOOT PRESSURE ADJUSTIN
14	29-924993-81/602	REFLEX PARTITION PLATE
15	29-924993-81/496	SCREW
16	29-924993-81/341	LAMP MARK
17	29-924993-81/363	LAMP HOLDER BRACKET
18	29-924993-81/460	PRESSER BAR GUIDE
19	29-924993-81/410	SCREW M 4 X 4
20	29-924993-81/458	PRESSER BAR 4842/4852
21	29-924993-81/195	PRESSER FOOT LIFTER CONN.
22	29-924993-81/734	PRESSER FOOT SHANK
23	29-924993-81/002	SCREW 7 X 8
24	29-924993-81/783	PRESSER FOOT
25	29-924993-81/004	GRUB SCREW
26	29-924993-81/448	FELT WASHER 7 x 13 x 2
27	29-924993-81/453	NEEDLE BAR STUD
28	29-924993-81/497	GRUB SCREW M 4 x 6
29	29-924993-81/219	NEEDLE BAR LINK PIN
30	29-924993-81/217	NEEDLE BAR LINK 4874
31	29-924993-83/011	NEEDLE THREAD TAKE UP LEVER
32	29-924993-81/216	CRANK LEFT 4874
33	29-924993-81/410	SCREW M 4 X 4
34	29-924993-81/455	UPPER AXLE
35	29-924993-81/679	NEEDLE BAR CRANK RIGHT 4874
36	29-924993-81/504	ALLEN SCREW (M5x8)
37	29-924993-81/454	NEEDLE BAR LINK PIN
38	29-924993-81/420	WASHER STW - FT 7 x 1
39	29-924993-81/016	CLIP RING 7
40	29-924993-81/457	CRANK ROD
41	29-924993-81/462	CRANK CAM
42	29-924993-81/603	PRESSURE CONTROLL LEVER
43	29-924993-81/604	AXILE
44	29-924993-81/662	INSTANT ROLLED
45	29-924993-81/663	INSTANT ROLLED NARROW HEM DEVI
46	29-924993-81/680	STITCH TONGUE SPRING 10209
47	29-924993-81/665	SLEEVE 10162
48	29-924993-81/409	GRUB SCREW M 3x3 1752
49	29-924993-81/664	INST.ROLLED NARROW HEM BRACKET
50	29-924993-81/405	SCREW M 4 x 8
51	29-924993-83/075	NEEDLE BAR ASSEM.COMPL.SET
52	29-924993-83/099	NEEDLE BAR SET 4874
53	29-924993-81/719	SCREW POINT
54	29-924993-81/451	SCREW POINT M 3 X3
55	29-924993-81/732	NEEDLE CLAMP THREAD GUIDE
56	29-924993-81/782	THREAD GUIDE SPRING PLATE
57	29-924993-81/733	NEEDLE THREAD SUPPORT GUIDE
58	29-924993-81/434	SCREW
59	29-924993-81/308	N/A
60	29-924993-81/524	NEEDLE PLATE SCREW
61	29-924993-81/735	NEEDLE PLATE
62	29-924993-81/446	NEEDLE PLATE POSITION SCREW
63	29-924993-81/699	CS FIXED PLATE



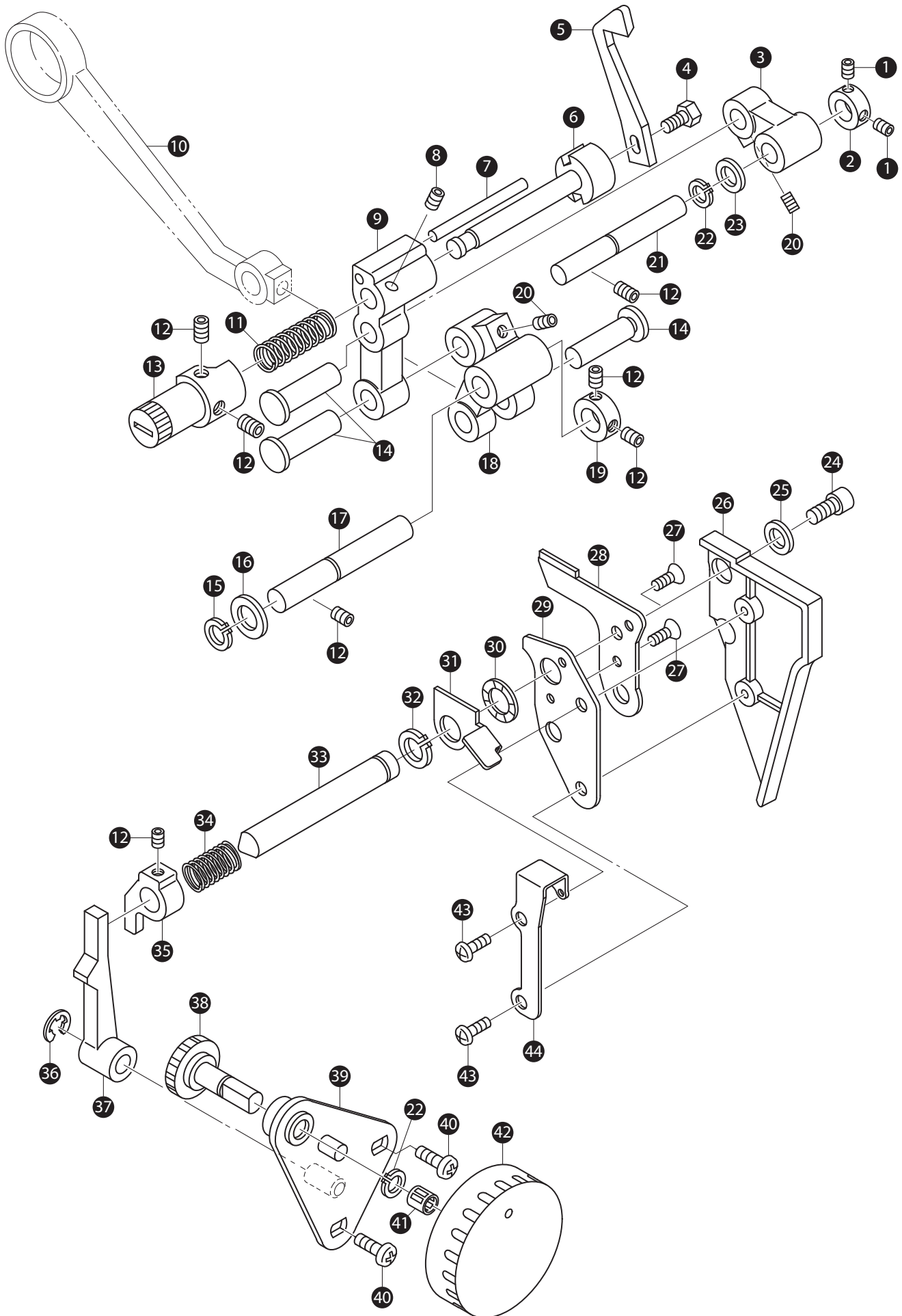
<b>Pos</b>	<b>Part list number</b>	<b>Description</b>
1	29-924993-81/011	SNAP RING
2	29-924993-81/667	UPPER LOOPER RELEASE BRACKET
3	29-924993-81/481	RELEASE LEVER SPRING
4	29-924993-81/503	TAPPING SCREW
5	29-924993-81/479	UPPER LOOPER RELEASE LEVER
6	29-924993-81/480	LEVER KNOB
7	29-924993-81/478	LOOPER RELAESE CRANK
8	29-924993-81/714	UPPER LOOPER ARM
9	29-924993-81/420	WASHER STW - FT 7 x 1
10	29-924993-81/016	CLIP RING 7
11	29-924993-81/613	UPPER LOOPER LAKE UP LEVER
12	29-924993-81/413	CONICAL WASHER
13	29-924993-81/430	SCREW
14	29-924993-81/720	THREAD GUIDE SPRING 10462
15	29-924993-81/685	BEARING
16	29-924993-81/003	GRUB SREW M 4 X 5
17	29-924993-81/468	OVERLOCKNEEDLE GUARD
18	29-924993-81/508	SCREW M 3 X 6
19	29-924993-81/467	LOWER LOOPER
20	29-924993-81/703	AUX THREAD GUIDE
21	29-924993-81/800	CROCHET SX. CPL
22	29-924993-81/514	AUX THREAD GUIDE
23	29-924993-81/513	AUX THREAD GUIDE
24	29-924993-81/628	AUX THREAD GUIDE
25	29-924993-81/797	SCREW
26	29-924993-81/477	WASHER
27	29-924993-81/435	MULTI PURPOSE FOOT
28	29-924993-81/751	WASHER
29	29-924993-81/006	SCREW
30	29-924993-81/750	LOWER LOOPES SUPPORT
31	29-924993-81/627	LOWER LOOPER SUPPORT
32	29-924993-81/626	LOWER LOOPER AXLE
33	29-924993-81/739	CHAIN LOOPER ROD 4862/72
34	29-924993-81/790	CHAIN STITCH ECCENTRIC
35	29-924993-81/620	CHAIN LOOPER
36	29-924993-81/618	CHAIN LOOPER GUARD
37	29-924993-81/526	WASHER 3 x 6 x 0,2
38	29-924993-81/434	SCREW
39	29-924993-81/701	WASHER
40	29-924993-81/698	SPRING
41	29-924993-81/700	THREAD GUIDE CLIP
42	29-924993-81/694	CS KICK LEVER
43	N/A	
44	N/A	
45	29-924993-81/619	CHAIN LOOPER CRANK 10081
46	29-924993-81/438	E-RING 2 NO.3436
47	29-924993-81/409	GRUB SCREW M 3x3 1752
48	29-924993-81/423	COLLAR E 7
49	29-924993-81/621	CS SLIDER
50	29-924993-81/410	SCREW M 4 X 4
51	29-924993-81/741	CHAIN LOOPER ROCKER
52	29-924993-81/622	CHAIN LOOPER AXLE
53	29-924993-81/666	SLIDER PIN
54	29-924993-81/411	WASHER 5 x 0,5
55	29-924993-81/742	CHAIN LOOPER ROCKER CUBE
56	29-924993-81/743	SLIDER PIN
57	29-924993-81/021	SCREW
58	29-924993-81/740	LOWER LOOPER OSCILATING CRANK
59	29-924993-81/464	SPACER M 5 x 3
60	29-924993-81/730	BALL ROD ASSEM
61	29-924993-83/110	SCREW M 5 x 18
62	29-924993-81/424	UPPER LOOPER SHAFT PIN
63	29-924993-81/483	UPPER LOOPER SHAFT
64	29-924993-81/462	CRANK CAM
65	29-924993-81/463	LOOPER AXLE BEARING
66	29-924993-81/447	GRUB SCREW
67	29-924993-81/717	UPPER LOOPER
68	29-924993-81/502	SCREW M 4 X 8
69	29-924993-81/004	GRUB SCREW
70	29-924993-81/492	SCREW M 4 X 10
71	29-924993-81/466	UPPER LOOPER SHAFT GUIDE
72	29-924993-83/111	OIL MARK ROUND
73	29-924993-81/484	UPPER LOOPER ARM 2
74	29-924993-81/023	DIAL TENSION SUPPORT
75	29-924993-81/702	UPPER LOOPER OSCILATING CRANK
76	29-924993-81/498	ALLEN SCREW (M5x18)
77	29-924993-81/418	LOOPER ROD ECCENTRIC
78	29-924993-81/482	AXEL ROCKER JOINT PIN
79	29-924993-81/465	UPPER LOOPER AXLE



<b>Pos</b>	<b>Part list number</b>	<b>Description</b>
1	29-924993-81/013	SNAP RING 6
2	29-924993-81/643	FEED DOG CONN.PIN
3	29-924993-81/642	FEED ECCENTRIC
4	29-924993-81/736	FEED DOG, BACK
5	29-924993-81/492	SCREW M 4 X 10
6	29-924993-81/737	FEED DOG, FRONT
7	29-924993-81/632	GUIDE PIN
8	29-924993-81/410	SCREW M 4 X 4
9	29-924993-81/011	SNAP RING
10	29-924993-81/411	WASHER 5 x 0,5
11	29-924993-81/629	FEED BAR CONN. PIN BACK
12	29-924993-81/794	FEED BAR
13	29-924993-81/630	FEED BAR AXLE
14	29-924993-81/631	FEED BAR ROD
15	29-924993-81/510	LINK PIN
16	29-924993-81/635	FEED ROCK CONN. ROD
17	29-924993-81/660	COLLAR # 6
18	29-924993-81/409	GRUB SCREW M 3x3 1752
19	29-924993-83/038	D.F.NOTCH SPRING
20	29-924993-83/093	SCREW M 3 x 3
21	29-924993-81/405	SCREW M 4 x 8
22	29-924993-83/036	D.F. MOTOR 4874
23	29-924993-83/094	SCREW M 2.6 x 3
24	29-924993-83/092	TP SCREW M 3 x 4
25	29-924993-83/037	D.F. SENSOR 4874
26	29-924993-83/034	D.F.MOTOR SUPPORT
27	29-924993-83/032	S.L/D.F. MOTOR GEAR
28	29-924993-83/035	D.F. GEAR
29	29-924993-81/645	FEED ROCK AXLE
30	29-924993-81/447	GRUB SCREW
31	29-924993-81/633	FEED ROCK LEVER LEFT
32	29-924993-81/472	DF REGULATOR ROD
33	29-924993-81/640	D.F.CONN.ROD LEFT
34	29-924993-81/407	SCREW M 4 X 10
35	29-924993-81/638	D.F. AXLE ARM
36	29-924993-81/010	SNAP RING
37	29-924993-81/639	N/A
38	29-924993-81/420	WASHER STW - FT 7 x 1
39	29-924993-81/003	GRUB SREW M 4 X 5
40	29-924993-81/637	D.F. GUIDE LEVER
41	29-924993-81/014	E RING # 2,5
42	29-924993-81/473	REGULATOR SLIDE BLOCK
43	29-924993-81/634	FEED ROCK LEVER, BOCK
44	29-924993-81/423	COLLAR E 7
45	29-924993-81/636	SLIDE PIN
46	29-924993-81/517	WASHER 9 x 4 x 0,8
47	29-924993-83/022	AXLE
48	29-924993-81/016	CLIP RING 7
49	29-924993-81/419	NEEDLE BAR ROD PIN
50	29-924993-81/015	CLIP RING 8
51	29-924993-81/412	WASHER STW FM 8 x 1
52	29-924993-81/644	FEED DOG LEVER BACK
53	29-924993-81/408	LOWER SHAFT COLLAR
54	29-924993-81/435	MULTI PURPOSE FOOT
55	29-924993-81/000	BLIND HEM FOOT
56	29-924993-81/471	FEED FORKED ROD
57	29-924993-81/001	FEED SLIDE BLOCK
58	29-924993-83/021	FEED REGULATOR
59	29-924993-81/463	LOOPER AXLE BEARING
60	29-924993-81/442	FRICTION WASHER
61	29-924993-81/470	FEED REGULATOR HINGE PIN
62	29-924993-83/033	S.L. SENSOR
63	29-924993-81/406	SCREW M 4 x 6
64	29-924993-83/031	S.L.MOTOR SUPPORT
65	29-924993-83/041	S.L. MOTOR

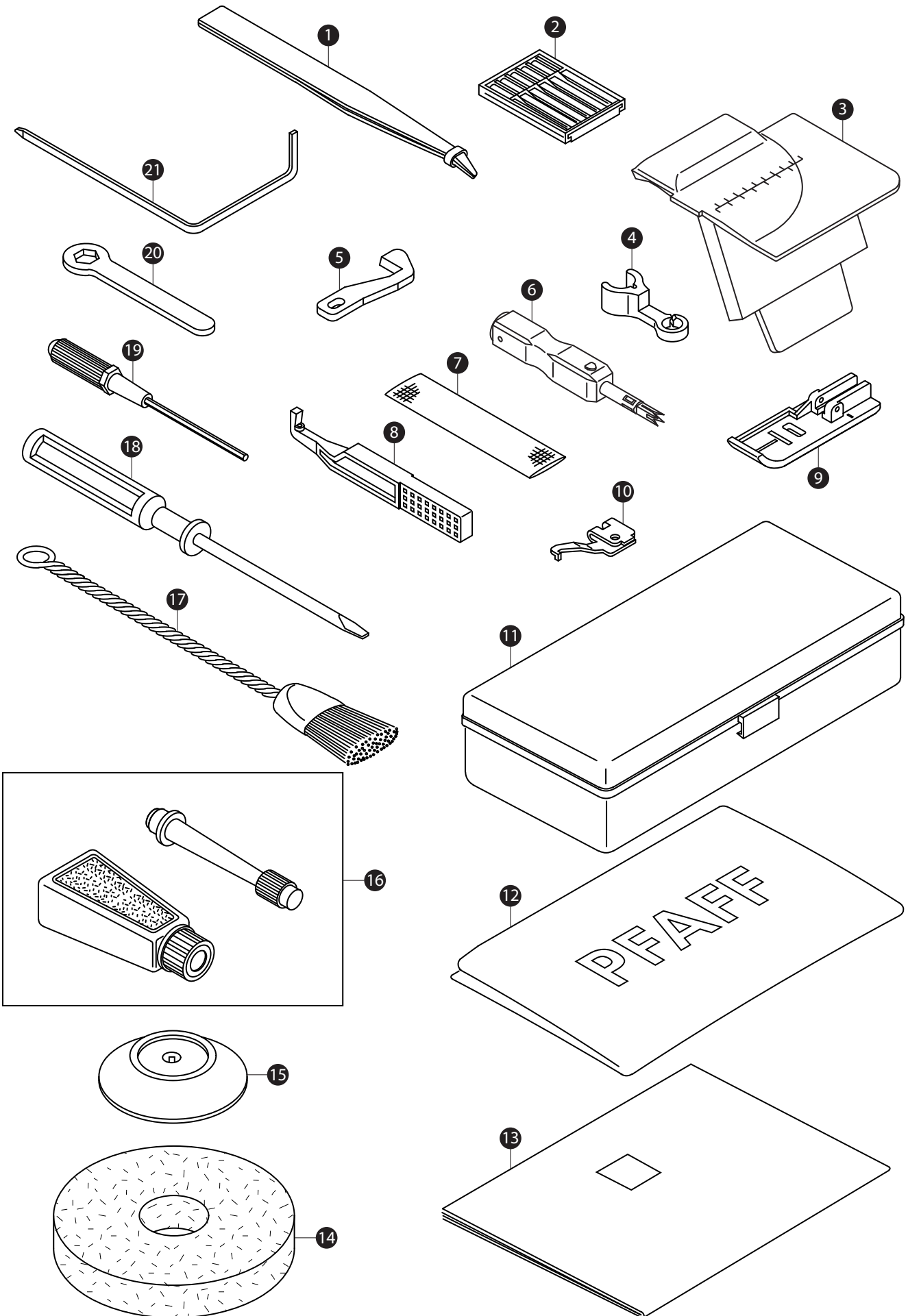


<b>Pos</b>	<b>Part list number</b>	<b>Description</b>
1	29-924993-81/005	SCREW TPM 4 x 8
2	29-924993-83/015	ROTARY CAM
3	29-924993-83/016	WASHER 7 x 14 x 28
4	29-924993-81/948	N/A
5	29-924993-83/020	THREAD TAKE UP PULLER
6	29-924993-83/113	WASHER 8 x 0,5
7	29-924993-83/014	PULLEY SUPPORT
8	29-924993-83/017	ROTARY CAM SHAFT
9	29-924993-81/410	SCREW M 4 X 4
10	29-924993-81/408	LOWER SHAFT COLLAR
11	29-924993-81/407	SCREW M 4 X 10
12	29-924993-83/018	THREAD GUIDE PLATE
13	29-924993-83/112	SCREW M 4 x 16
14	29-924993-83/019	THREAD HOLDER
15	29-924993-81/496	SCREW
16	29-924993-81/462	CRANK CAM
17	29-924993-81/730	BALL ROD ASSEM
18	29-924993-81/418	LOOPER ROD ECCENTRIC
19	29-924993-81/739	CHAIN LOOPER ROD 4862/72
20	29-924993-81/790	CHAIN STITCH ECCENTRIC
21	29-924993-81/642	FEED ECCENTRIC
22	29-924993-81/647	CUTTER CONN ROD
23	29-924993-81/641	CUTTER CAM
24	29-924993-81/706	MAIN BALANCE WEIGHT LEFT
25	29-924993-81/456	BEARING
26	29-924993-81/457	CRANK ROD
27	29-924993-83/013	BELT M 2 x 73
28	29-924993-81/409	GRUB SCREW M 3x3 1752
29	29-924993-83/012	THREAD TAKE UP PULLEY
30	29-924993-81/440	FEED CAM
31	29-924993-81/471	FEED FORKED ROD
32	29-924993-81/684	BEARING
33	29-924993-81/683	MAIN SHAFT
34	29-924993-81/018	ROLL PIN 3 x 16
35	29-924993-81/412	WASHER STW FM 8 x 1
36	29-924993-81/015	CLIP RING 8
37	29-924993-81/490	TAPPING SCREW M 3 x 8,5
38	29-924993-81/315	N/A
39	29-924993-81/270	HANDWHEEL CAP NO. 11270
40	29-924993-81/947	N/A
41	29-924993-81/267	HANDWHEEL
42	29-924993-83/063	SLIT PLATE
43	29-924993-81/476	BELT XL 136
44	29-924993-81/745	SQAURE NUT

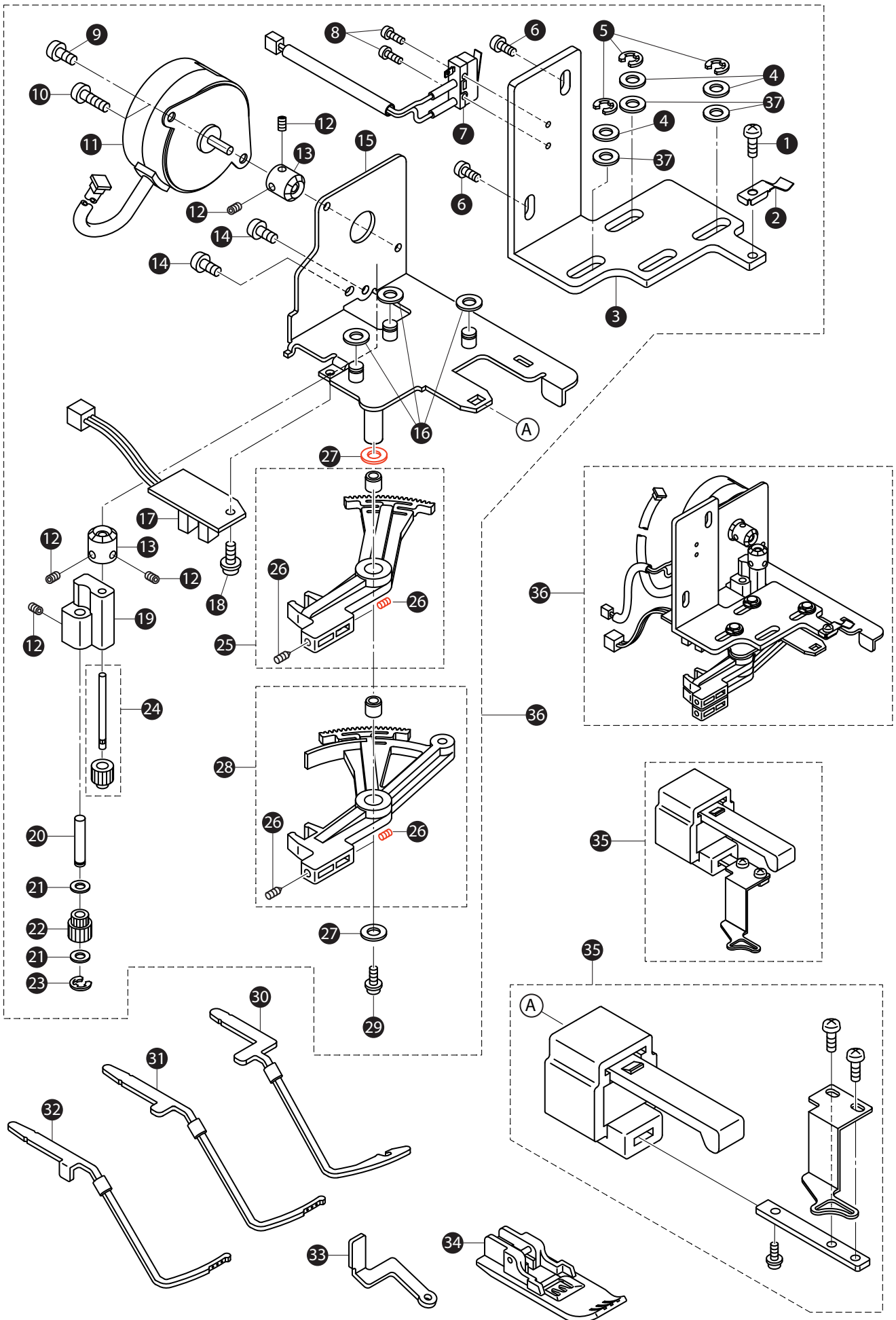




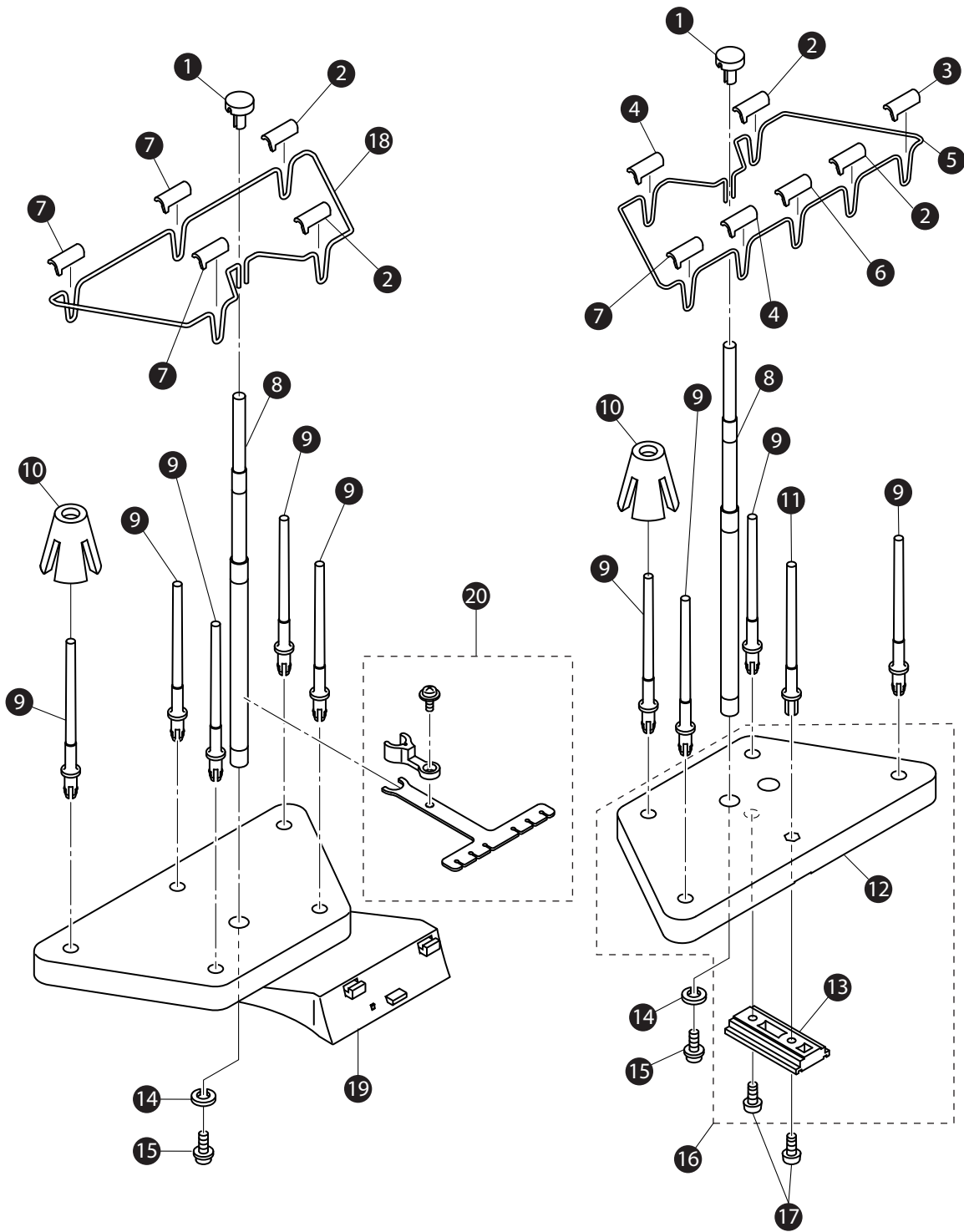
<b>Pos</b>	<b>Part list number</b>	<b>Description</b>
1	29-924993-81/409	GRUB SCREW M 3x3 1752
2	29-924993-81/660	COLLAR # 6
3	29-924993-81/649	CUTTER ARM (1)
4	29-924993-81/505	HEXAGON SCREW M 4 X 10
5	29-924993-81/668	UPPER KNIFE
6	29-924993-81/656	MOVING BLADE HOLDER
7	29-924993-81/522	PIN M 3 x 38
8	29-924993-81/451	SCREW POINT M 3 X3
9	29-924993-81/648	MOVING BLADE SUPPORT ROD
10	29-924993-81/647	CUTTER CONN ROD
11	29-924993-81/796	MOVING BLADE PRESSURE SPRING
12	29-924993-81/410	SCREW M 4 X 4
13	29-924993-81/655	CUTTER KNOB NO. 10144
14	29-924993-81/657	PIN 4862/72
15	29-924993-81/016	CLIP RING 7
16	29-924993-81/420	WASHER STW - FT 7 x 1
17	29-924993-81/651	CUTTER ARM AXLE (1)
18	29-924993-81/650	CUTTER ARM (2)
19	29-924993-81/423	COLLAR E 7
20	29-924993-81/003	GRUB SREW M 4 X 5
21	29-924993-81/652	CUTTER ARM AXLE (2)
22	29-924993-81/658	C-RING # 6
23	29-924993-81/009	WASHER STW -FT 6 x 1
24	29-924993-81/523	ALLEN SCREW (M4x10)
25	29-924993-81/413	CONICAL WASHER
26	29-924993-81/114	FIXED BLADE PROTECTION COVER
27	29-924993-83/109	SCREW M 3 x 4
28	29-924993-81/704	FIXED BLADE
29	29-924993-81/705	FIXED BLADE SUPPORT
30	29-924993-81/007	WASHER 13 x 8 x 0,2
31	29-924993-81/499	NEEDLE PLATE LIFTER KL.4862 NR
32	29-924993-81/015	CLIP RING 8
33	29-924993-81/659	FIXED BLADE AXLE
34	29-924993-81/661	SPRING
35	29-924993-81/791	MOVING BLADE SHIFT ROD
36	29-924993-81/012	SNAP RING
37	29-924993-81/654	CUTTING WITH DIAL LEVER 10140
38	29-924993-81/795	CUTTING WIDTH DIAL CAM
39	29-924993-81/653	CUTTER WIDTH DIAL STAND
40	29-924993-81/405	SCREW M 4 x 8
41	29-924993-81/429	KNOB SPRING
42	29-924993-81/123	SEAM WIDTH ADJUSTING KNOB
43	29-924993-81/490	TAPPING SCREW M 3 x 8,5
44	29-924993-81/674	BACK TUCK PLATE



<b>Pos</b>	<b>Part list number</b>	<b>Description</b>
1	29-924993-81/512	TWEEZERS
2	29-924993-81/310	NEEDLE
3	29-924993-81/120	POWER TABLE
4	29-924993-81/445	AUX THREAD GUIDE
5	29-924993-81/668	UPPER KNIFE
6	29-924993-81/321	NEEDLE THREADER
7	29-924993-81/299	THREAD SPOOL NET
8	29-924993-81/311	NEEDLE INSERTER
9	29-924993-81/744	TRANSPARENT PRESSER FOOT F
10	29-924993-81/491	CONVERTER
11	29-924993-81/716	ACCESSORIES BOX BLANK
12	29-924993-83/096	N/A
13	29-924993-83/100	N/A
14	29-924993-81/708	FOAM PAD
15	29-924993-81/426	SPOOL CAP
16	29-924993-81/402	N/A
17	29-924993-81/432	BRUSH NO. 2379
18	29-924993-81/747	SCREDRIVER
19	29-924993-81/450	SCREWDRIVER 1,5 MM
20	29-924993-81/495	FORK WRENCH D3113-A 7
21	29-924993-81/792	GUIDE RULE



<b>Pos</b>	<b>Part list number</b>	<b>Description</b>
1	29-924993-83/093	SCREW M 3 x 3
2	29-924993-83/062	N/A
3	29-924993-83/045	N/A
4	29-924993-83/095	N/A
5	29-924993-81/011	SNAP RING
6	29-924993-81/005	SCREW TPM 4 x 8
7	29-924993-83/069	TOP DECO SWITCH
8	29-924993-81/553	N/A
9	29-924993-81/496	SCREW
10	29-924993-83/108	N/A
11	29-924993-83/068	TOP DECO MOTOR
12	29-924993-81/409	GRUB SCREW M 3x3 1752
13	29-924993-83/048	MITER GEAR
14	29-924993-81/006	SCREW
15	29-924993-83/044	N/A
16	29-924993-83/125	TIMING GAUGE
17	29-924993-83/065	POSITIONING POINT SENSOR
18	29-924993-83/092	TP SCREW M 3 x 4
19	29-924993-83/071	N/A
20	29-924993-83/056	N/A
21	29-924993-81/533	N/A
22	29-924993-83/050	N/A
23	29-924993-81/010	SNAP RING
24	29-924993-83/104	N/A
25	29-924993-83/118	DECO COVER UPPER GEAR BLUE
26	29-924993-83/135	N/A
27	29-924993-83/131	N/A
28	29-924993-83/117	DECO COVER LOWER GEAR YELLOW
29	29-924993-83/119	N/A
30	29-924993-83/061	TOP COVER UPPER SPREADER BLUE
31	29-924993-83/060	DECO COVER UPPER SPREADER BLUE
32	29-924993-83/059	COVER LOWER SPREADER YELLOW
33	29-924993-83/054	TOP COVER R1 SCREW HOLE GUIDE
34	29-924993-83/073	TOP DECO COVER FOOT "R"
35	29-924993-83/121	COVER THREAD GUIDE UNIT ASSEM.
36	29-924993-83/055	N/A
37	29-924993-83/093	SCREW M 3 x 3



<b>Pos</b>	<b>Part list number</b>	<b>Description</b>
1	29-924993-81/291	POLE / BEAM JOINT
2	29-924993-81/246	COLOR MARK YELLOW
3	29-924993-81/248	COLOR MARK
4	29-924993-81/247	COLOR MARK GREEN
5	29-924993-81/177	GUIDE
6	29-924993-81/245	COLOR MARK RED
7	29-924993-81/244	THREAD GUIDE CLIP BLUE
8	29-924993-81/519	THREAD GUIDE POLE
9	29-924993-81/240	SPOOL PIN
10	29-924993-81/416	SPOOL HOLDER
11	29-924993-81/249	SPOOL PIN
12	29-924993-81/238	SPOOL STAND BASE 4862/72
13	29-924993-81/239	SPOOL BASE SLIDE
14	29-924993-81/022	D.F.AXLE
15	29-924993-81/403	SCREW M 4 X 10
16	29-924993-81/290	N/A
17	29-924993-81/286	N/A
18	29-924993-83/078	N/A
19	29-924993-83/039	TOP DECO COVER THREAD STAND
20	29-924993-83/120	CLIP ON DECO COVER THREAD SEP.

# PFAFF

© 2007 Feb  
Copyright VSM Group AB  
All rights reserved

Technische Änderungen vorbehalten  
Subject to alterations in design  
Sous toute réserve de modifications  
techniques  
Salvo modificaciones técnicas  
Con riserva di modifiche tecniche  
Nr. 104 22 87-96