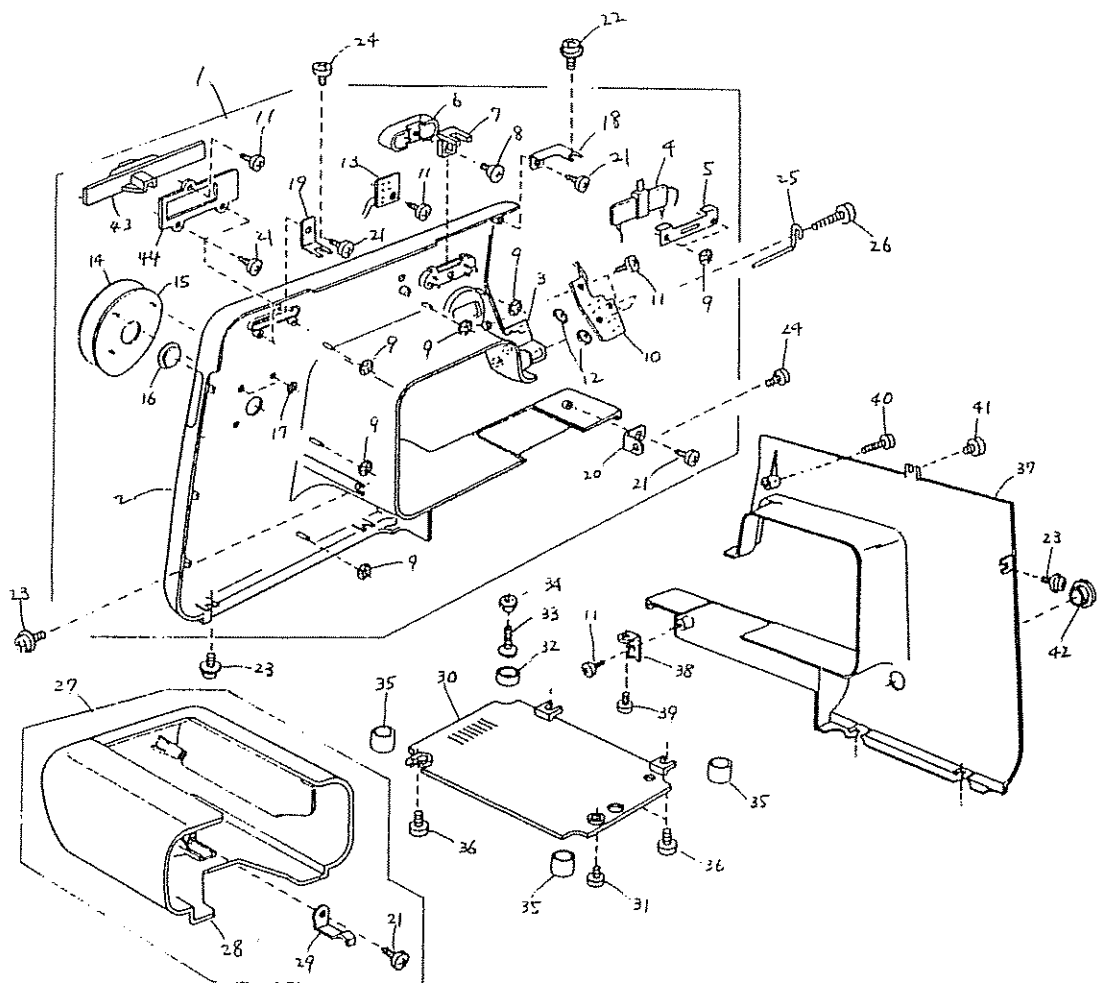
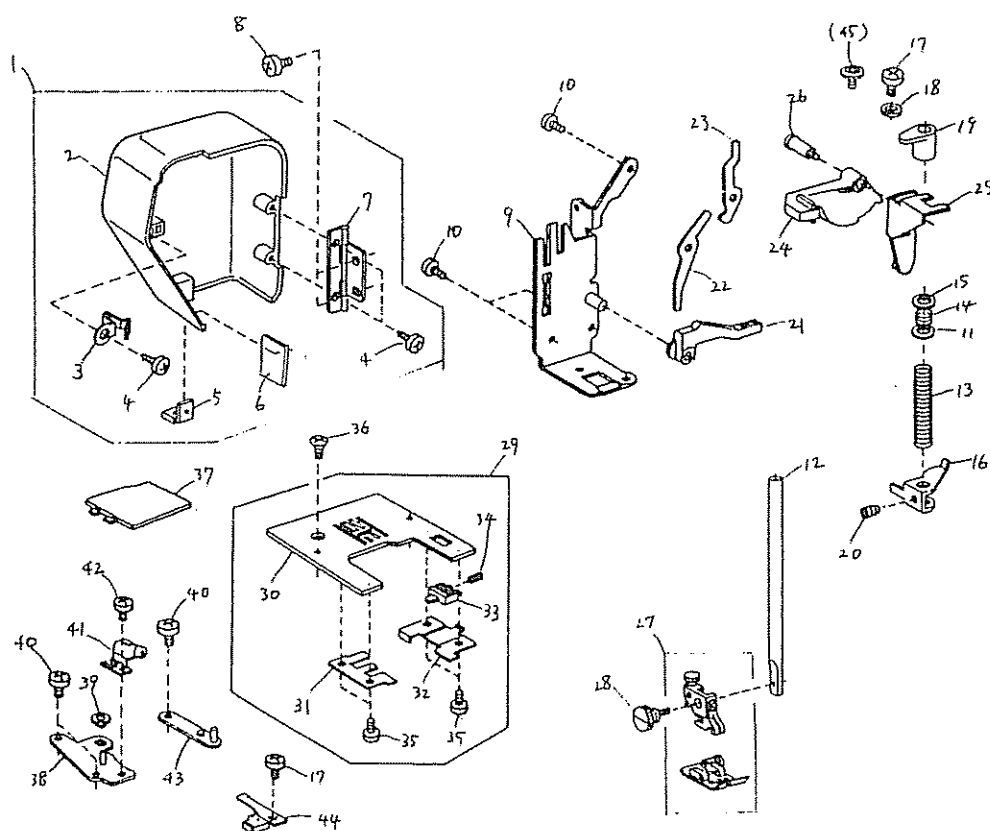


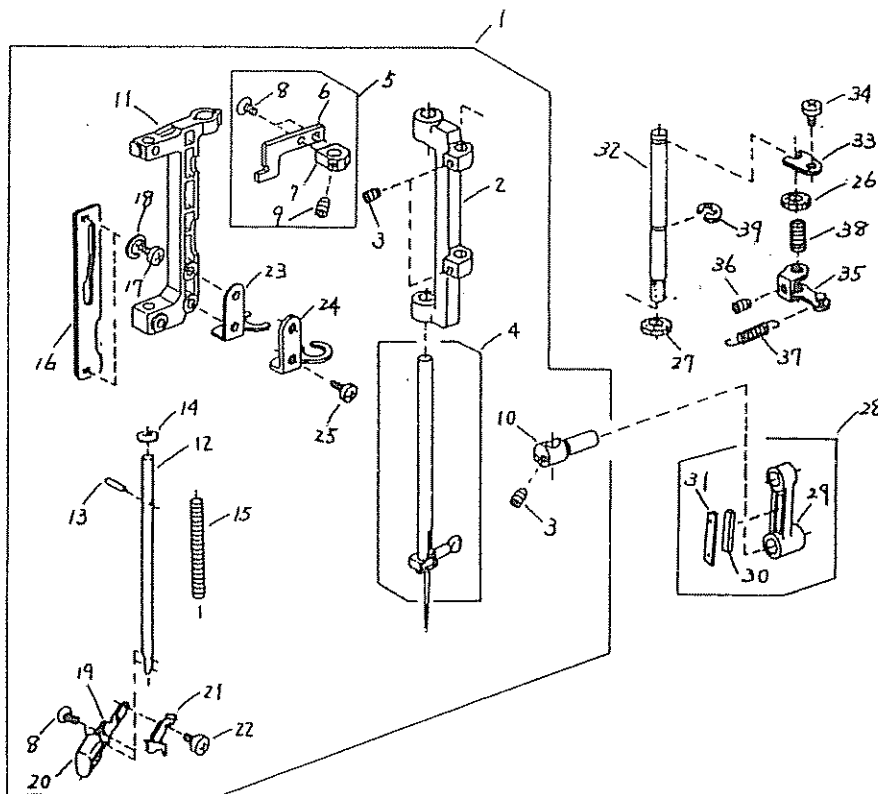
No.	Part No.	Part Name	No.	Part No.	Part Name
1	751604009	Top cover (unit)	24	000069605	Setscrew 4 x 8
2	751011003	Top cover	25	751081004	Switch plate
3	653022000	Top cover thread guide	26	000002105	Snap ring E-3
4	751092008	Pre-tension spring	27	751094000	Switch plate spring
5	820374004	Setscrew 2 x 2.3	28	830145005	Declutch arm
6	000107905	Tapping screw 3 x 6 (B)	29	625215005	Declutch arm spring
7	730501011	Thread guide (unit)	30	625214004	Setscrew
8	000160102	Adjustable lock nut 4	31	827506008	Bobbin winder (unit)
9	735016307	Bobbin winder stopper	32	652093009	Setscrew
10	000061205	Hexagon nut 4-3	33	823119008	Bobbin winder arm spring
11	000101828	Setscrew 4 x 16			
12	724206106	Spool pin			
13	822017002	Pin			
14	724207004	Spring			
15	000120203	Tapping screw 3 x 8 (B)			
16	653075008	Presser foot			
17	000101426	Setscrew 4 x 6			
18	810220003	Setscrew			
19	822020503	Spool holder (large)			
20	751100000	Handle			
21	751076006	Handle supporter (right)			
22	751077007	Handle supporter (left)			
23	000081005	Setscrew 4 x 8			



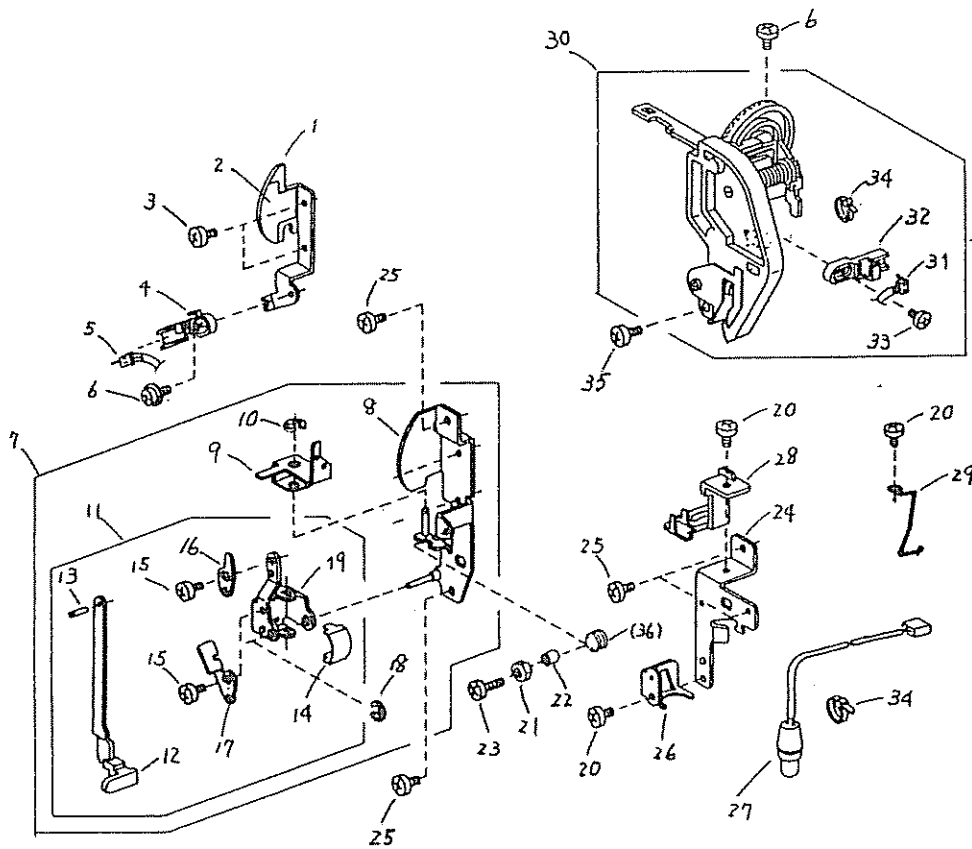
No.	Part No.	Part Name	No.	Part No.	Part Name
1	751644001	Front cover (unit)	24	000101404	Setscrew 4 x 6
2	751061	Front cover	25	753126008	Arm thread guide
3	753125007	Thread protecting plate	26	000093608	Setscrew 3.5 x 30
4	653507303	Slide volume (unit)	27	751602007	Extension table (unit)
5	653128018	Insulating sheet	28	751501005	Extension table (unit)
6	751062009	Slide knob	29	751096002	Extension table spring
7	653130002	Slide piece	30	751003002	Base
8	000163105	Tapping screw 2.3 x 5 (B)	31	000103509	Setscrew 4 x 10
9	000014306	Snap ring CS-3	32	735002001	Rubber seat
10	751506000	Circuit board (F) (unit)	33	000192103	Setscrew 5 x 25
11	000161103	Tapping screw 3 x 6 (B)	34	000061412	Hexagon nut 5-3
12	751063000	Function key	35	647009002	Bed rubber seat
13	751507001	Circuit board LD (1) (unit)	36	000115700	TP screw 4 x 10
14	751064	Pattern indicating window	37	751005004	Rear cover
15	751089002	Pattern indicating window frame	38	827006003	Rear cover retaining plate
16	751090006	Lens	39	000081119	Setscrew 4 x 6
17	000013707	Snap ring CS-2.4	40	000104119	Setscrew 4 x 20
18	751087000	Front cover retaining plate (front)	41	810220003	Setscrew
19	751080003	Front cover retaining plate (rear)	42	653006101	Cap
20	827069004	Front cover retaining plate (lower)	43	751111004	Zigzag width knob
21	000120203	Tapping screw 3 x 8 (B)	44	751112005	Knob holder plate
22	000115401	TP screw 3 x 4			
23	000115607	TP screw 4 x 8			



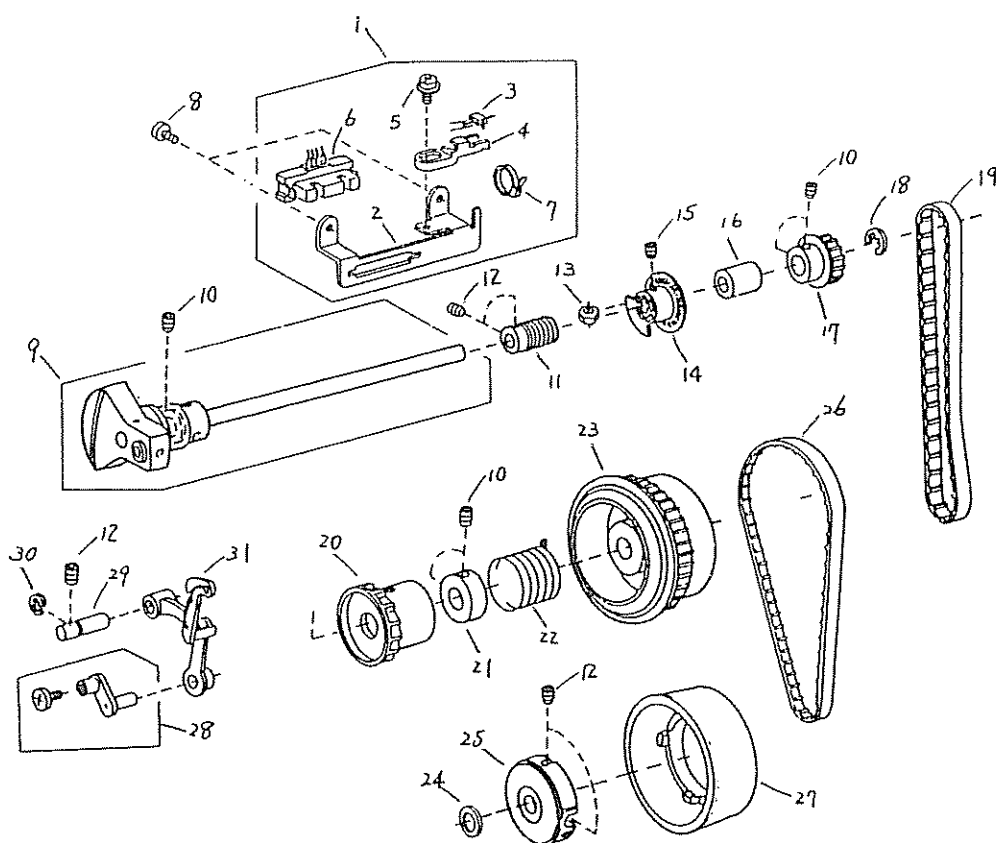
No.	Part No.	Part Name	No.	Part No.	Part Name
1	751605000	Face plate (unit)	24	829013009	Pressure adjusting lever
2	751012004	Face plate	25	829014000	Pressure adjusting plate
3	650025004	Face plate spring	26	820090003	Setscrew
4	000076317	Setscrew 3 x 10	27	822525008	Presser foot (unit)
5	822532008	Thread cutter (unit)	28	647112009	Thumb screw
6	724025006	Face plate reflecting plate (2)	29	827605008	Needle plate complete (unit)
7	366501009	Face plate hinge (unit)	30	827010000	Needle plate complete (unit)
8	000081119	Setscrew 4 x 6	31	825014008	Slide plate holder (left)
9	827020014	Presser bar mechanism	32	825015010	Slide plate holder (right)
10	000081005	Setscrew 4 x 8	33	825016000	Slide plate holder piece
11	652201002	Seat plate	34	825017001	Square plate holder piece spring
12	827021004	Presser bar	35	820374004	Setscrew 2 x 2.3
13	826006011	Presser bar spring	36	820390109	Needle plate setscrew
14	826056005	Auxiliary pressure spring	37	750036001	Slide plate
15	826055004	Plain washer	38	751008007	Needle plate adjusting plate (left)
16	735028014	Presser bar bracket	39	822314002	Nut
17	810220003	Setscrew	40	000066705	Setscrew 3 x 8
18	000070506	Plain washer	41	822011109	Reversing stopper
19	652104004	Presser bar bushing	42	000103808	Setscrew 3 x 5
20	000111500	Hexagon socket screw 4 x 8	43	751009008	Needle plate adjusting plate (right)
21	735029004	Presser foot lifter	44	751502006	Rotation stopper (unit)
22	827022005	Thread tension release lever (1)	(45)	000193001	TP screw (4 x 6) (made in Japan)
23	827023006	Thread tension release lever (2)			



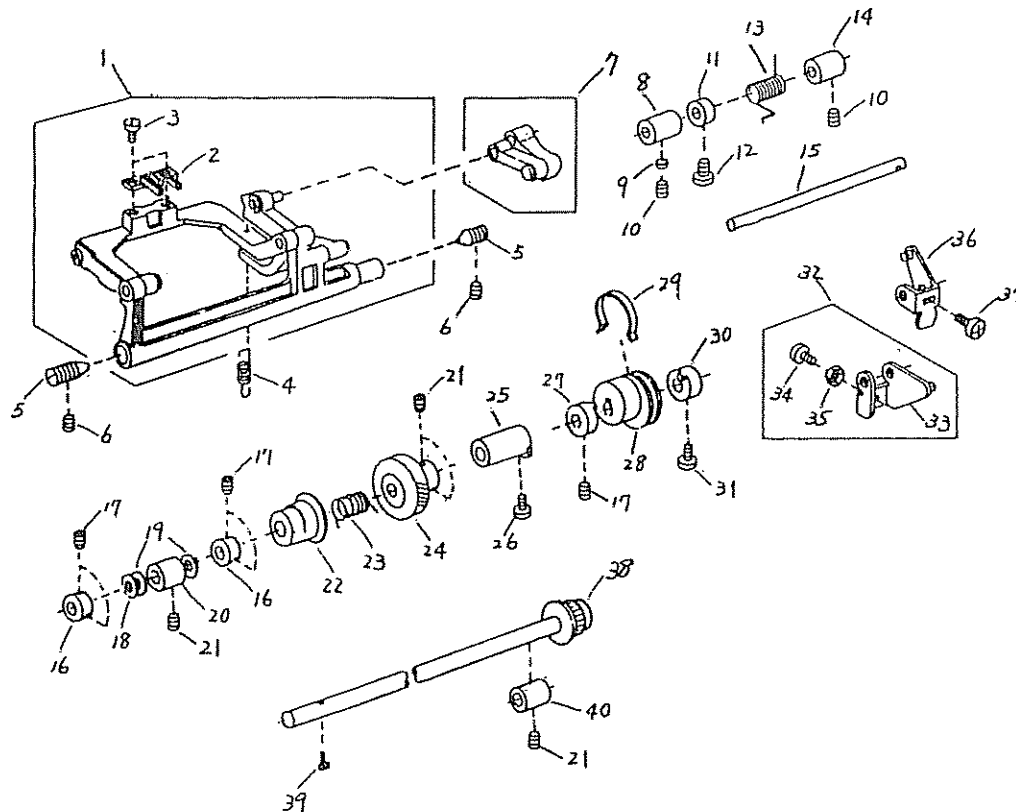
No.	Part No.	Part Name	No.	Part No.	Part Name
1	751606001	Needle bar supporter (unit)	24	751019001	Threader frame (lower)
2	751014006	Needle bar supporter	25	000120203	Tapping screw 3 x 8 (B)
3	000111201	Hexagon socket screw 4 x 4	26	822063003	Felt (2)
4	751503007	Needle bar (unit)	27	652044005	Felt
5	751607002	Threader positioning plate (unit)	28	650607006	Needle bar crank rod (unit)
6	734101008	Threader positioning plate	29	650039001	Needle bar crank rod
7	751016008	Threader positioning holder	30	650040005	Felt
8	000097602	Setscrew 2 x 4	31	650041006	Felt holder spring
9	000111902	Hexagon socket screw 3 x 4	32	650033005	Supporter shaft
10	751047008	Needle bar connecting stud	33	650034006	Supporter shaft stopper
11	751017009	Threader frame	34	000101404	Setscrew 4 x 6
12	751018000	Threader shaft	35	650035007	Zigzag width crank
13	000122906	Slotted pin E-2 x 14	36	000111108	Hexagon socket screw 4 x 6
14	734107004	Seat plate	37	650037009	Supporter spring
15	827091005	Threader shaft spring	38	650036008	Supporter shaft spring
16	653036018	Threader guide	39	000001609	Snap ring E-5
17	000161206	Setscrew 3 x 10 (B)			
18	000070218	Plain washer 3			
19	734096009	Threader lever			
20	734097000	Threader knob			
21	734515009	Threader plate (unit)			
22	000105501	Setscrew 1.6 x 2.5			
23	751101001	Threader frame spring			



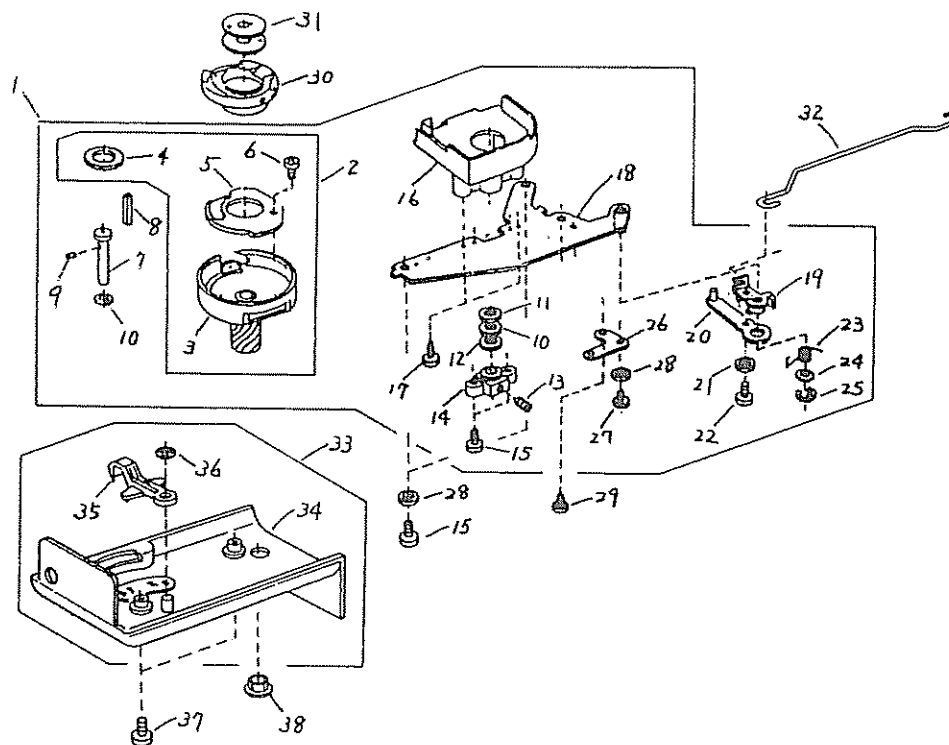
No.	Part No.	Part Name	No.	Part No.	Part Name
1	751091007	Switch holder plate	24	751013005	Lamp holder
2	829016002	Pressure adjusting sticker	25	000081005	Setscrew 4 x 8
3	652203004	Machine screw 3 x 3.5	26	751082005	Lamp holder plate
4	753136001	Switch holder	27	830538205	Lamp socket (unit)
5	753504004	BH limiter switch (unit)	28	751020016	Threader shaft guide (upper)
6	000114709	TP screw 3 x 6	29	652137006	Arm thread guide (2)
7	751608003	Front bracket (unit)	30	751611009	Thread tension dial (unit)
8	751021006	Front bracket	31	753507203	BH selector switch (unit)
9	751022007	Drag rod link (front)	32	827100008	Switch holder
10	000002105	Snap ring E-3	33	000103808	Setscrew 3 x 5
11	751609004	BH lever (unit)	34	000053008	Grip band
12	751610008	BH lever (unit)	35	000101703	Setscrew 4 x 12
13	000023009	S.P 1.6 x 4	(36)	751195002	Supporter stopper spring (made in Japan)
14	753027008	Friction spring			
15	652203004	Setscrew 3 x 3.5			
16	753029000	BH lever adjusting plate			
17	654111000	Switch adjusting plate			
18	000001207	Snap ring E-2.5			
19	753026007	BH lever supporter			
20	000101404	Setscrew 4 x 6			
21	000160102	Adjustable lock nut 4			
22	685042005	Supporter stopper			
23	000097200	Setscrew 4 x 12			



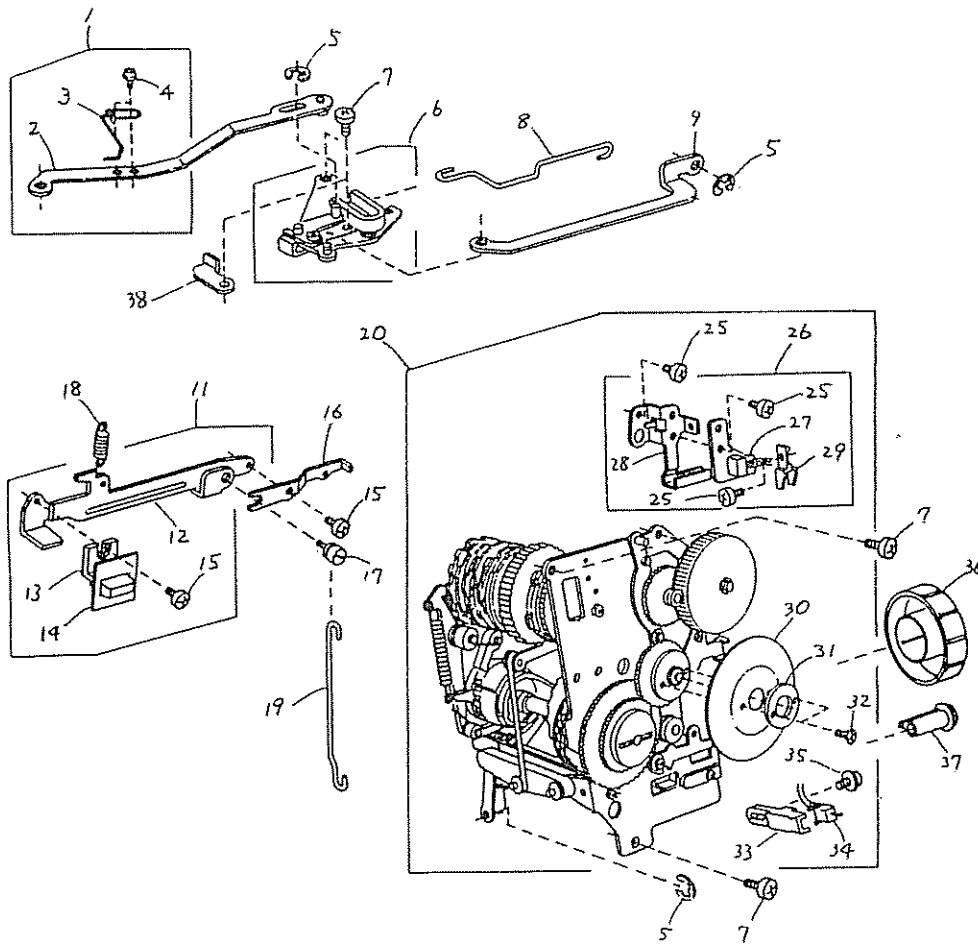
No.	Part No.	Part Name	No.	Part No.	Part Name
1	751626007	Upper shaft sensor (unit)	24	000036706	Thrust washer FT100
2	751069006	Sensor holder plate	25	830286009	Balance wheel base
3	753505201	Bobbin winder switch (unit)	26	653139012	Timing belt
4	827100008	Switch holder	27	653061115	Balance wheel
5	000114709	TP screw 3 x 6	28	652512009	Needle bar crank pin (unit)
6	735514104	Photosensor (unit)	29	650062003	Thread take-up lever shaft
7	000053008	Grip band	30	000001702	Snap ring E-6
8	000081005	Setscrew 4 x 8	31	820511108	Thread take-up lever (unit)
9	827518209	Upper shaft (unit)			
10	000111304	Hexagon socket screw 5 x 5			
11	650060001	Worm gear			
12	000111201	Hexagon socket screw 4 x 4			
13	000062402	Hexagon nut 4-2-7			
14	753133101	Shield plate			
15	000111108	Hexagon socket screw 4 x 6			
16	673062004	Upper shaft rear metal			
17	732026002	Upper shaft timing wheel			
18	000030205	Snap ring E-8			
19	650071005	Timing belt			
20	653055002	Declutch release ring			
21	653056003	Clutch ring			
22	653057004	Clutch spring			
23	653058005	Belt wheel			



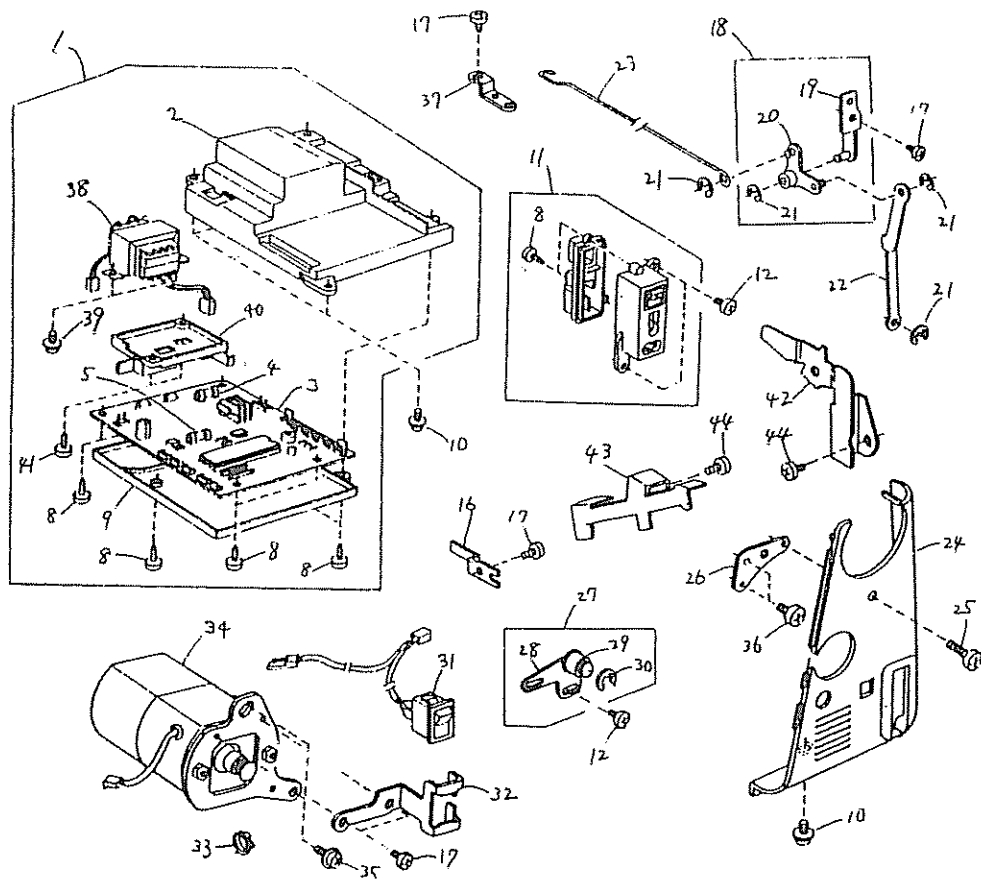
No.	Part No.	Part Name	No.	Part No.	Part Name
1	751640007	Feed rock shaft (unit)	24	650076000	Lower shaft gear
2	827041000	Feed dog	25	751093009	Lower shaft sleeve
3	000104005	Setscrew 3.5 x 8	26	000069708	Setscrew 3 x 10
4	650085002	Feed bar spring	27	625118007	Feed cam ring
5	738055008	Straight pin	28	625120105	Feed cam
6	000111304	Hexagon socket screw 5 x 5	29	627207000	Feed cam spring
7	650612004	Feed regulator (unit)	30	650074008	Forward feed cam ring
8	625144002	Feed shaft bushing (front)	31	000121606	Tapping screw 3 x 12S
9	650175000	Screw seat plate	32	751613001	Feed adjusting shaft arm (unit)
10	000111201	Hexagon socket screw 4 x 4	33	751098004	Feed adjusting shaft arm
11	820387000	Ring	34	000070001	Setscrew 4 x 14
12	000081005	Setscrew 4 x 8	35	000160102	Adjustable lock nut 4
13	652050004	Regulator spring	36	653078001	Feed shaft plate
14	650092002	Feed shaft bushing (rear)	37	000100403	Setscrew 3 x 14
15	751024009	Feed shaft	38	751612000	Lower shaft (unit)
16	820166001	Ring	39	820161006	Feed lifting pin
17	000111201	Hexagon socket screw 4 x 4	40	650079003	Lower shaft bushing (rear)
18	830336005	Washer	(19)	830954005	Thrust washer FT80 (made in Japan)
19	000038502	Washer 8 x 0.5			
20	650078002	Lower shaft bushing (front)			
21	000111304	Hexagon socket screw 5 x 5			
22	753183025	Feed lifting cam			
23	686035008	Feed lifting cam spring			



No.	Part No.	Part Name	No.	Part No.	Part Name
1	650614109	Hook complete (unit)	24	650023002	Plain washer
2	652623004	Hook (unit)	25	000002105	Snap ring E-3
3	652515002	Hook body (unit)	26	650171006	Positioning plate
4	627190009	Hook magnet	27	000101404	Setscrew 4 x 6
5	627191000	Hook bottom plate	28	000070506	Plain washer 4
6	820374004	Setscrew 2 x 2.3	29	650172007	Setscrew
7	820123006	Hook shaft	30	627569209	Bobbin holder (unit)
8	820124007	Hook shaft oil felt (1)	31	102261103	Bobbin
9	820125008	Hook shaft oil felt (2)	32	751025000	Feed shift rod
10	000038409	Washer 6 x 0.5	33	751601014	Bed cover (unit)
11	627192001	Hook shaft washer	34	751004003	Bed cover
12	625102008	Plain washer	35	753005000	Drop lever
13	000111304	Hexagon socket screw 5 x 5	36	000013903	Snap ring CS-5
14	650094004	Hook shaft base	37	000101703	Setscrew 4 x 12
15	000081005	Setscrew 4 x 8	38	653006101	Cap
16	827040009	Hook race cover			
17	000107204	Tapping screw 3 x 12 (B)			
18	650096006	Hook holder plate			
19	650097007	Feed shift arm			
20	650098008	Feed shift plate			
21	656159006	Plain washer 3.3			
22	000103808	Setscrew 3 x 5			
23	650099009	Feed shift spring			

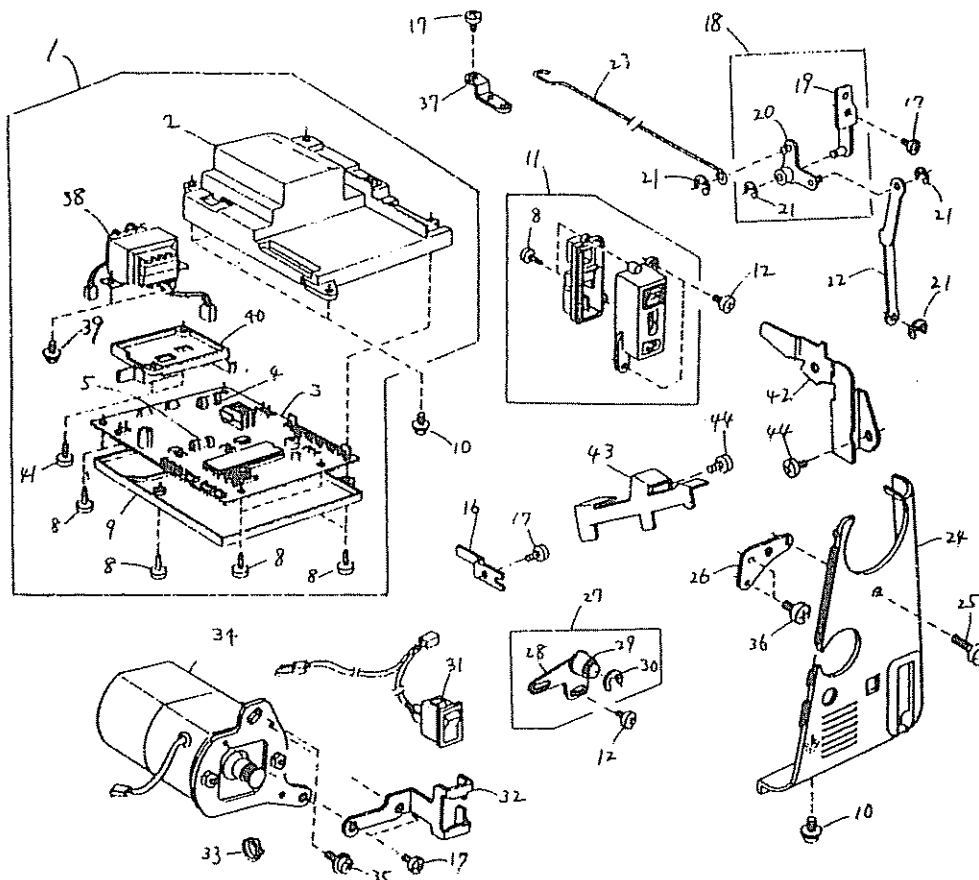


No.	Part No.	Part Name	No.	Part No.	Part Name
1	654642005	Zigzag width rod (front) (unit)	24		
2	753186006	Zigzag width rod (front)	25	000103808	Setscrew 3 x 5
3	654129001	Thread tension lever	26	751629000	Circuit board LD (2) (unit)
4	000115803	TP screw 2 x 6	27	751505009	Circuit board LD (2) (unit)
5	000002105	Snap ring E-3	28	751046007	Board holder plate
6	686618001	Zigzag width crank (unit)	29	751078008	Pattern positioning plate
7	000081005	Setscrew 4 x 8	30	751045	Pattern plate
8	751058002	Zigzag width rod	31	751099005	Pattern plate holder
9	751059003	Zigzag width adjusting rod	32	000163208	Setscrew 2 x 5 (B)
10			33	753136001	Switch holder
11	751623004	R lever (unit)	34	753507100	BH selector switch (unit)
12	751054008	R lever (1)	35	000114709	TP screw 3 x 6
13	751055102	R button	36	751051005	Selector dial
14	751056000	R lever cover	37	650162509	SS adjusting knob
15	000101105	Setscrew 3 x 4	38	688003003	Zigzag stopper
16	653120009	R lever (2)			
17	751057001	R lever shaft			
18	751083006	R lever spring			
19	751095001	R rod			
20	751641008	Control mechanism block (unit)			
21					
22					
23					



No.	Part No.	Part Name	No.	Part No.	Part Name
1	751646003	Circuit board case (unit)	24	751065105	Belt cover
2	751071001	Circuit board case	25	000080901	Setscrew 4 x 25
3	751516003	Circuit board (B) (unit)	26	827085017	Belt cover retaining plate
4	000143286	Fuse (250V, 1A)	27	753619003	Idler (unit)
5	000142795	Fuse (250V, 250mA)	28	753119008	Idler base
6			29	625217100	Idler
7			30	000002806	Snap ring E-6
8	000161206	Setscrew 3 x 10 (B)	31	751509003	Lamp switch (unit)
9	751072002	Circuit board case cover	32	751097003	Switch holder plate
10	000115607	TP screw 4 x 8	33	000053008	Grip band
11	751518005	Machine socket (unit)	34	013096128	Motor (unit)
12	000081005	Setscrew 4 x 8	35	000115504	TP screw 5 x 10
13			36	820220003	Setscrew
14			37	825200003	Belt cover retaining plate
15			38	751517004	Power transformer (unit)
16	751073003	Cord holder	39	000149002	Setscrew 3 x 10
17	000101404	Setscrew 4 x 6	40	751116009	Transformer cover
18	751645002	Link base plate (unit)	41	000120203	Tapping screw 3 x 8 (B)
19	751113006	Link base plate	42	751117000	Cord guide (1)
20	751114007	Drag rod link	43	751118001	Cord guide (2)
21	000002105	Snap ring E-3	44	000103705	Setscrew 4 x 5
22	751115008	BH drag rod (2)			
23	751068005	BH drag rod			

For Canada



No.	Part No.	Part Name	No.	Part No.	Part Name
1	751655005	Circuit board case (unit)	24	751065105	Belt cover
2	751071001	Circuit board case	25	000080901	Setscrew 4 x 25
3	751516003	Circuit board (B) (unit)	26	827085017	Belt cover retaining plate
4	000143286	Fuse (250V, 1A)	27	753619003	Idler (unit)
5	000142795	Fuse (250V, 250mA)	28	753119008	Idler base
6			29	625217100	Idler
7			30	000002806	Snap ring E-6
8	000161206	Setscrew 3 x 10 (B)	31	751509003	Lamp switch (unit)
9	751072002	Circuit board case cover	32	751097003	Switch holder plate
10	000115607	TP screw 4 x 8	33	000053008	Grip band
11	653520	Machine socket (unit)	34	013096128	Motor (unit)
12	000081005	Setscrew 4 x 8	35	000115504	TP screw 5 x 10
13			36	820220003	Setscrew
14			37	825200003	Belt cover retaining plate
15			38	751517004	Power transformer (unit)
16	751073003	Cord holder	39	000149002	Setscrew 3 x 10
17	000101404	Setscrew 4 x 6	40	751116009	Transformer cover
18	751645002	Link base plate (unit)	41	000120203	Tapping screw 3 x 8 (B)
19	751113006	Link base plate	42	751117000	Cord guide (1)
20	751114007	Drag rod link	43	751118001	Cord guide (2)
21	000002105	Snap ring E-3	44	000103705	Setscrew 4 x 5
22	751115008	BH drag rod (2)			
23	751068005	BH drag rod			