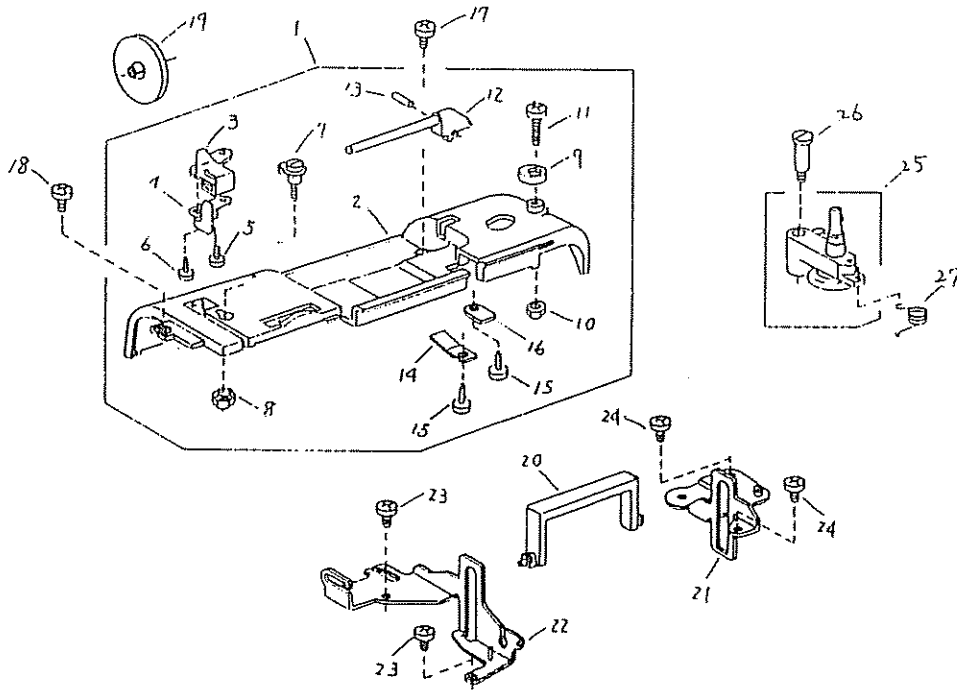


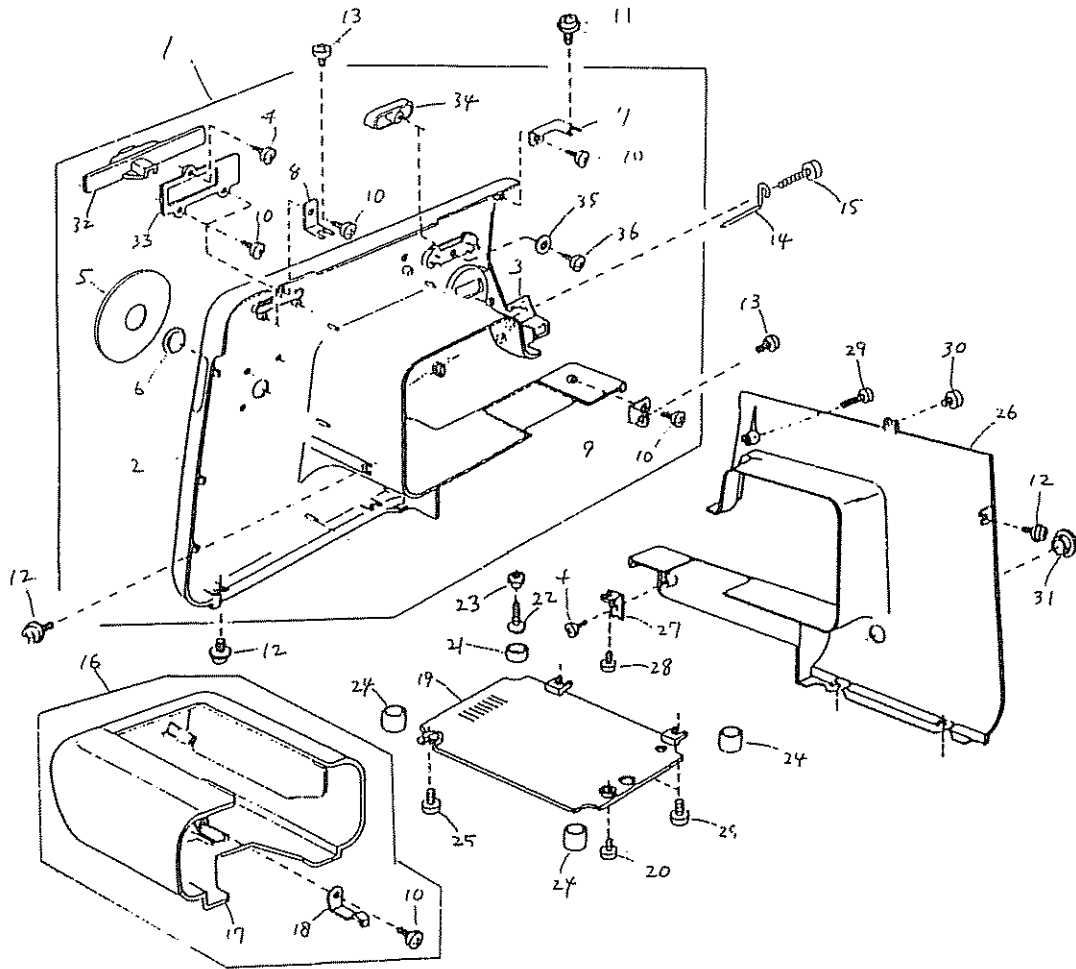
# PARTS LIST

MyExcel 4018



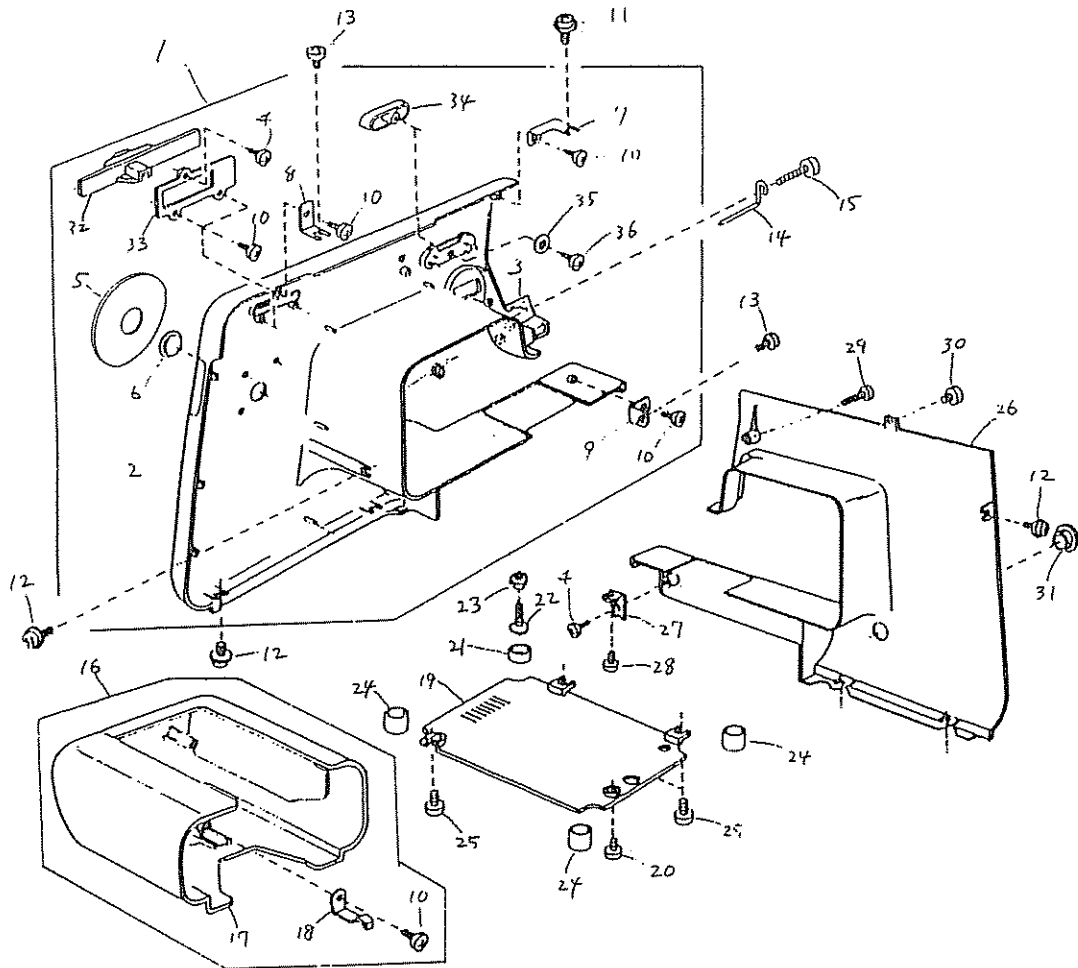
No.	Part No.	Part Name	No.	Part No.	Part Name
1	751604009	Top cover (unit)	24	000069605	Setscrew 4 x 8
2	751011003	Top cover	25	827506008	Bobbin winder (unit)
3	653022000	Top cover thread guide	26	652093009	Setscrew
4	751092008	Pre-tension spring	27	823119008	Bobbin winder arm spring
5	820374004	Setscrew 2 x 2.3			
6	000107905	Tapping screw 3 x 6 (B)			
7	730501011	Thread guide (unit)			
8	000160102	Adjustable lock nut 4			
9	735016307	Bobbin winder stopper			
10	000061205	Hexagon nut 4-3			
11	000101828	Setscrew 4 x 16			
12	724206106	Spool pin			
13	822017002	Pin			
14	724207004	Spring			
15	000120203	Tapping screw 3 x 8 (B)			
16	653075008	Presser foot			
17	000101426	Setscrew 4 x 6			
18	810220003	Setscrew			
19	822020503	Spool holder (large)			
20	751100000	Handle			
21	751076006	Handle supporter (right)			
22	751077018	Handle supporter (left)			
23	000081005	Setscrew 4 x 8			

For N. H.



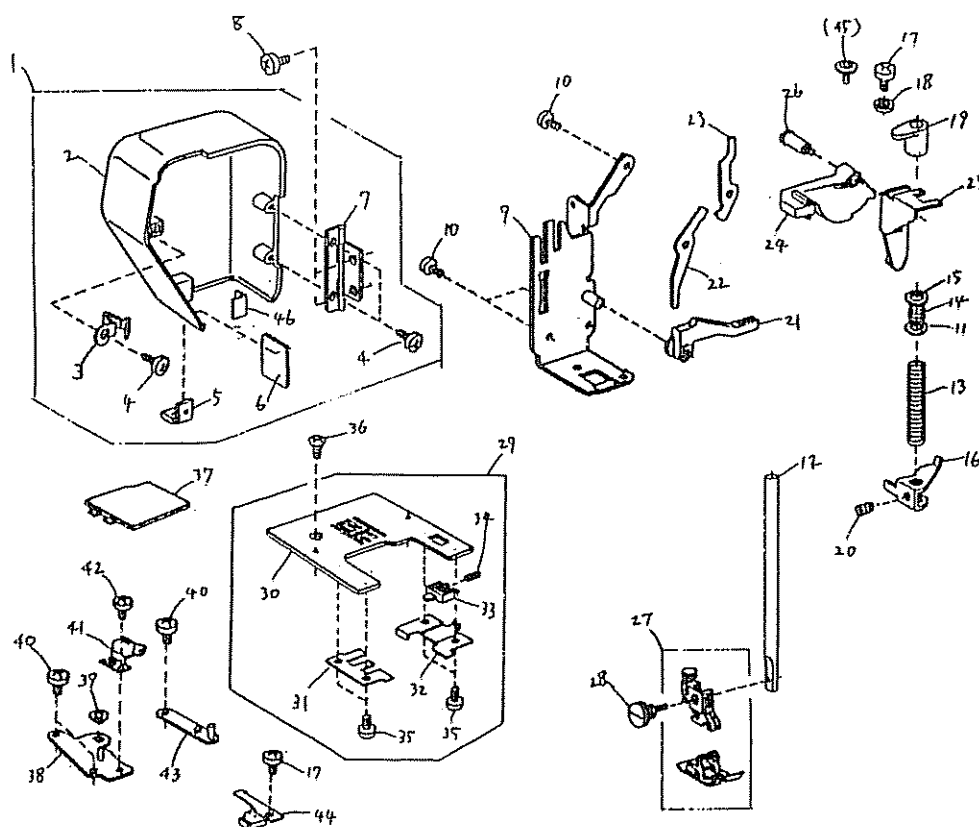
No.	Part No.	Part Name	No.	Part No.	Part Name
1	751624005	Front cover (unit)	24	647009002	Bed rubber seat
2	751061709	Front cover	25	000103509	Setscrew 4 x 10
3	753125007	Thread protecting plate	26	751005004	Rear cover
4	000161103	Tapping screw 3 x 6 (B)	27	827006003	Rear cover retaining plate
5	751211108	Pattern indicating window	28	000081119	Setscrew 4 x 6
6	751090109	Lens	29	000104119	Setscrew 4 x 20
7	751087000	Front cover retaining plate (front)	30	810220003	Setscrew
8	751080003	Front cover retaining plate (rear)	31	653006101	Cap
9	827069004	Front cover retaining plate (lower)	32	751111004	Zigzag width knob
10	000120203	Tapping screw 3 x 8 (B)	33	751112005	Knob holder plate
11	000115401	TP screw 3 x 4	34	751139307	Fancy plate
12	000115607	TP screw 4 x 8	35	000071208	Plain washer 2.5
13	000101404	Setscrew 4 x 6	36	000161701	Tapping screw 2.3 x 5 (B)
14	753126008	Arm thread guide			
15	000093608	Setscrew 3.5 x 30			
16	751602007	Extension table (unit)			
17	751501005	Extension table (unit)			
18	751096002	Extension table spring			
19	751003002	Base			
20	000081005	Setscrew 4 x 8			
21	735002001	Rubber seat			
22	000192103	Setscrew 5 x 25			
23	000061412	Hexagon nut 5-3			

For Canada



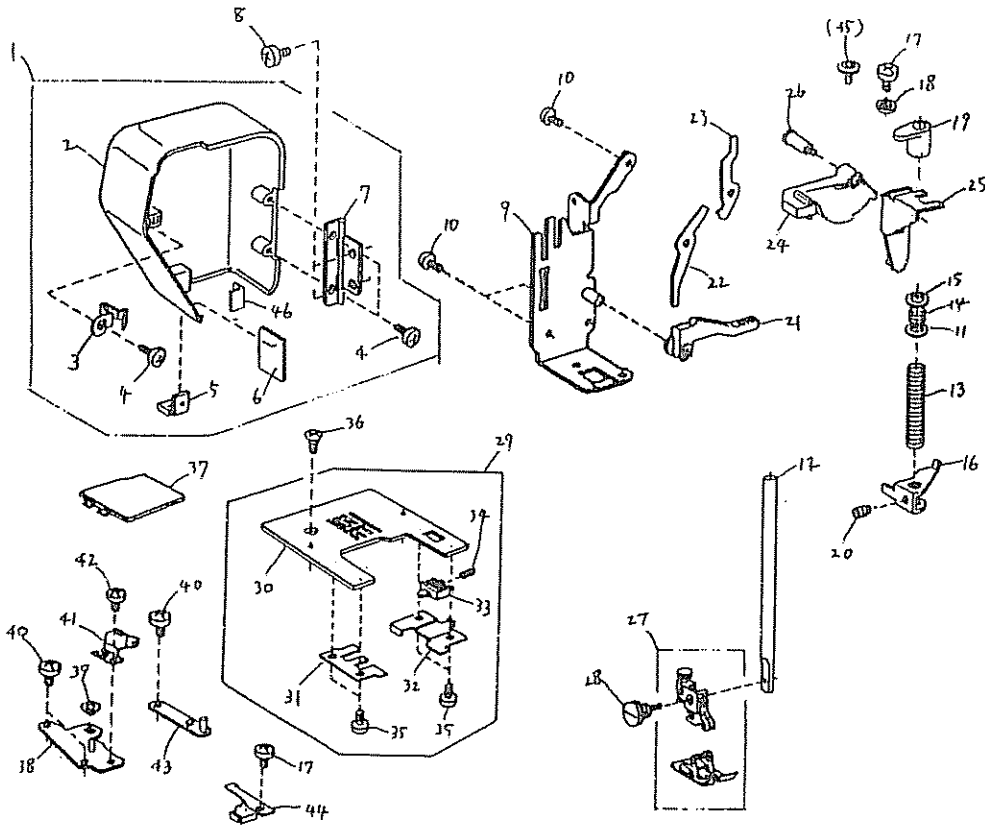
No.	Part No.	Part Name	No.	Part No.	Part Name
1	751649006	Front cover (unit)	24	647009002	Bed rubber seat
2	751061709	Front cover	25	000103509	Setscrew 4 x 10
3	753125007	Thread protecting plate	26	751005004	Rear cover
4	000161103	Tapping screw 3 x 6 (B)	27	827006003	Rear cover retaining plate
5	751211108	Pattern indicating window	28	000081119	Setscrew 4 x 6
6	751090109	Lens	29	000104119	Setscrew 4 x 20
7	751087000	Front cover retaining plate (front)	30	810220003	Setscrew
8	751080003	Front cover retaining plate (rear)	31	653006101	Cap
9	827069004	Front cover retaining plate (lower)	32	751111004	Zigzag width knob
10	000120203	Tapping screw 3 x 8 (B)	33	751112005	Knob holder plate
11	000115401	TP screw 3 x 4	34	751139101	Fancy plate
12	000115607	TP screw 4 x 8	35	000071208	Plain washer 2.5
13	000101404	Setscrew 4 x 6	36	000161701	Tapping screw 2.3 x 5 (B)
14	753126008	Arm thread guide			
15	000093608	Setscrew 3.5 x 30			
16	751602007	Extension table (unit)			
17	751501005	Extension table (unit)			
18	751096002	Extension table spring			
19	751003002	Base			
20	000081005	Setscrew 4 x 8			
21	735002001	Rubber seat			
22	000192103	Setscrew 5 x 25			
23	000061412	Hexagon nut 5-3			

For N.H.

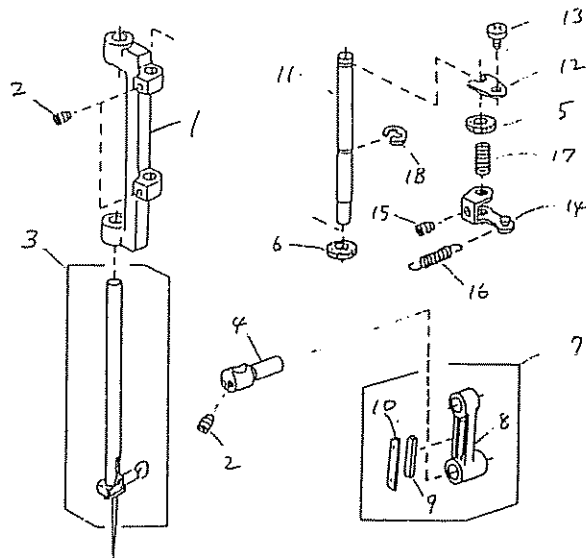


No.	Part No.	Part Name	No.	Part No.	Part Name
1	751658008	Face plate (unit)	24	829013009	Pressure adjusting lever
2	751012004	Face plate	25	829014000	Pressure adjusting plate
3	731067002	Face plate spring	26	820090003	Setscrew
4	000076317	Setscrew 3 x 10	27	822525008	Presser foot (unit)
5	822532008	Thread cutter (unit)	28	647112009	Thumb screw
6	724025006	Face plate reflecting plate (2)	29	827605008	Needle plate complete (unit)
7	366501009	Face plate hinge (unit)	30	827010000	Needle plate complete (unit)
8	000081119	Setscrew 4 x 6	31	825014008	Slide plate holder (left)
9	827020014	Presser bar mechanism	32	825015010	Slide plate holder (right)
10	000081005	Setscrew 4 x 8	33	825016000	Slide plate holder piece
11	652201002	Seat plate	34	825017001	Square plate holder piece spring
12	827021004	Presser bar	35	820374004	Setscrew 2 x 2.3
13	826006011	Presser bar spring	36	820390109	Needle plate setscrew
14	826056005	Auxiliary pressure spring	37	750036001	Slide plate
15	826055004	Plain washer	38	751008007	Needle plate adjusting plate (left)
16	735028014	Presser bar bracket	39	822314002	Nut
17	810220003	Setscrew	40	000066705	Setscrew 3 x 8
18	000070506	Plain washer	41	822011109	Reversing stopper
19	652104004	Presser bar bushing	42	000103808	Setscrew 3 x 5
20	000111500	Hexagon socket screw 4 x 8	43	751009008	Needle plate adjusting plate (right)
21	735029004	Presser foot lifter	44	751502006	Rotation stopper (unit)
22	827022005	Thread tension release lever (1)	(45)	000193001	TP screw (4 x 6) (made in Japan)
23	827023006	Thread tension release lever (2)	46	724024005	Face plate reflecting plate (1)

For Canada

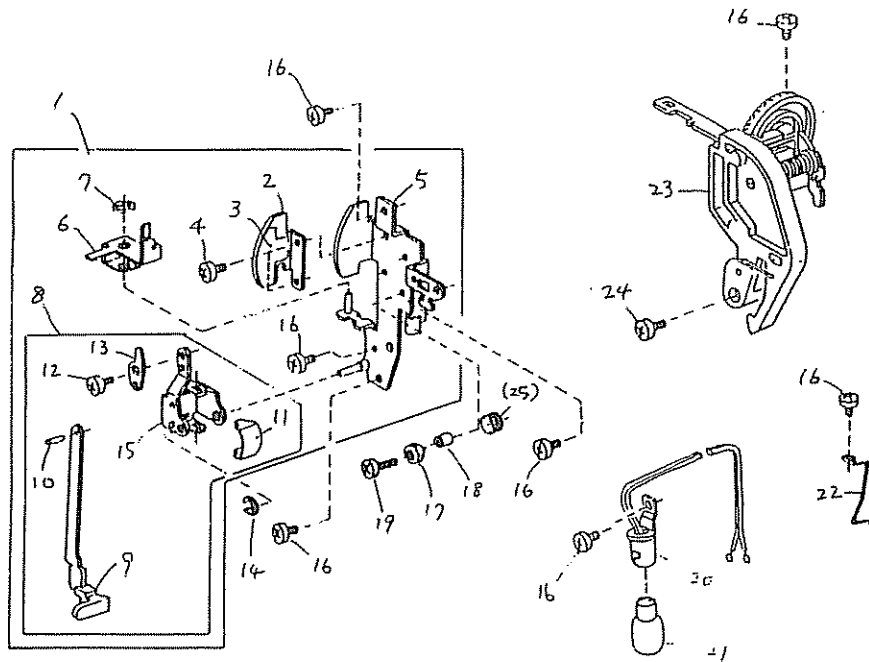


No.	Part No.	Part Name	No.	Part No.	Part Name
1	751658101	Face plate (unit)	24	829013009	Pressure adjusting lever
2	751012004	Face plate	25	829014000	Pressure adjusting plate
3	731067002	Face plate spring	26	820090003	Setscrew
4	000076317	Setscrew 3 x 10	27	822525008	Presser foot (unit)
5	822532008	Thread cutter (unit)	28	647112009	Thumb screw
6	724025006	Face plate reflecting plate (2)	29	827605008	Needle plate complete (unit)
7	366501009	Face plate hinge (unit)	30	827010000	Needle plate complete (unit)
8	000081119	Setscrew 4 x 6	31	825014008	Slide plate holder (left)
9	827020014	Presser bar mechanism	32	825015010	Slide plate holder (right)
10	000081005	Setscrew 4 x 8	33	825016000	Slide plate holder piece
11	652201002	Seat plate	34	825017001	Square plate holder piece spring
12	827021004	Presser bar	35	820374004	Setscrew 2 x 2.3
13	826006011	Presser bar spring	36	820390109	Needle plate setscrew
14	826056005	Auxiliary pressure spring	37	750036001	Slide plate
15	826055004	Plain washer	38	751008007	Needle plate adjusting plate (left)
16	735028014	Presser bar bracket	39	822314002	Nut
17	810220003	Setscrew	40	000066705	Setscrew 3 x 8
18	000070506	Plain washer	41	822011109	Reversing stopper
19	652104004	Presser bar bushing	42	000103808	Setscrew 3 x 5
20	000111500	Hexagon socket screw 4 x 8	43	751009008	Needle plate adjusting plate (right)
21	735029004	Presser foot lifter	44	751502006	Rotation stopper (unit)
22	827022005	Thread tension release lever (1)	(45)	000193001	TP screw (4 x 6) (made in Japan)
23	827023006	Thread tension release lever (2)	46	724024005	Face plate reflecting plate (1)



No.	Part No.	Part Name	No.	Part No.	Part Name
1	751014006	Needle bar supporter			
2	000111201	Hexagon socket screw 4 x 4			
3	751503007	Needle bar (unit)			
4	751047008	Needle bar connecting stud			
5	822063003	Felt (1)			
6	652044005	Felt			
7	650607006	Needle bar crank rod (unit)			
8	650039001	Needle bar crank rod			
9	650040005	Felt			
10	650041006	Felt holder spring			
11	650033005	Supporter shaft			
12	650034006	Supporter shaft stopper			
13	000101404	Setscrew 4 x 6			
14	650035007	Zigzag width crank			
15	000111108	Hexagon socket screw 4 x 6			
16	650037009	Supporter spring			
17	650036008	Supporter shaft spring			
18	000001609	Snap ring E-5			

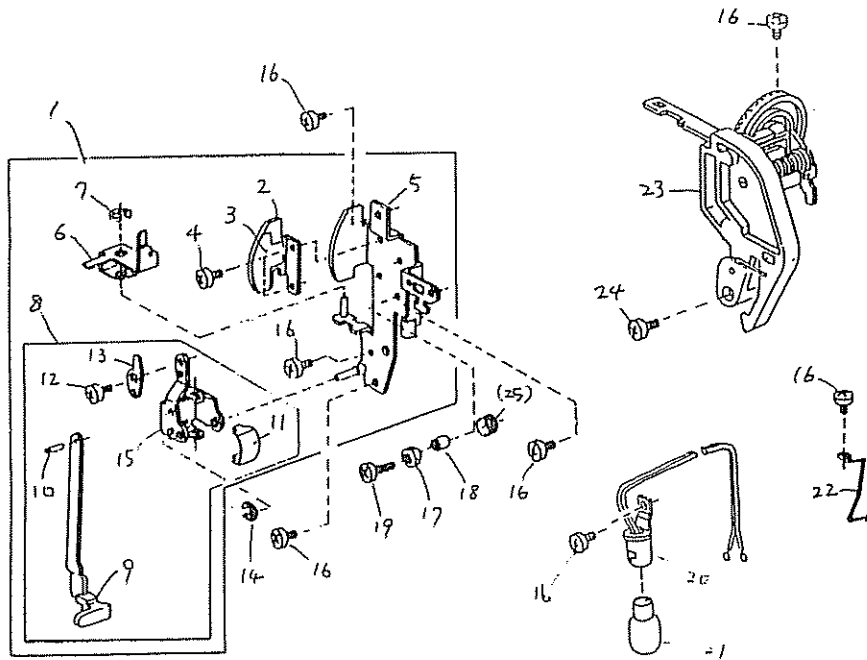
For N.H.



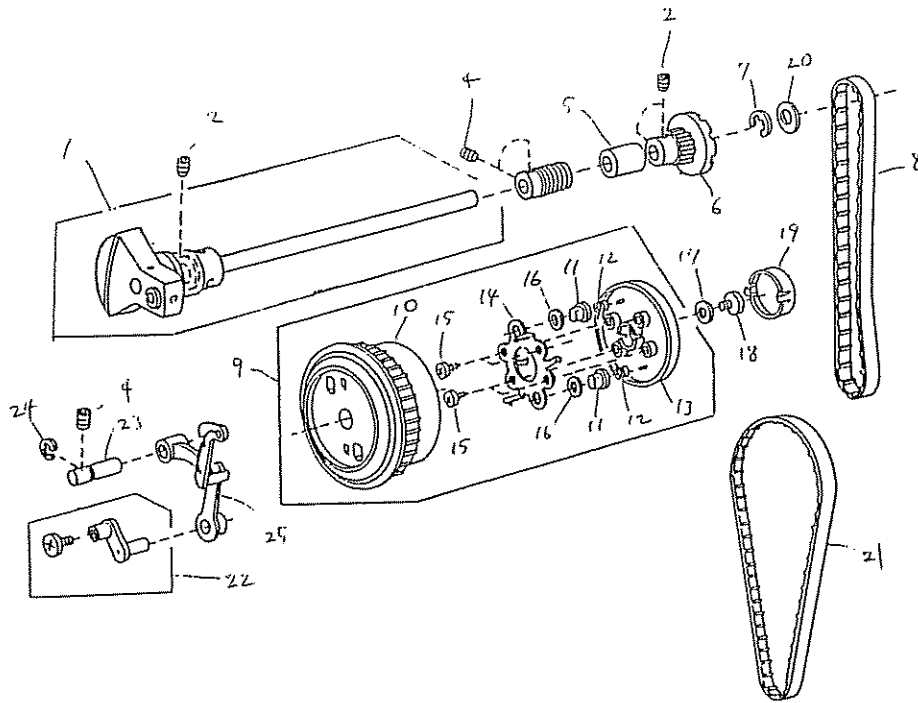
No.	Part No.	Part Name	No.	Part No.	Part Name
1	751647004	Front bracket (unit)	24	000093309	Setscrew 4 x 14
2	751122008	Switch holder plate	(25)	751195002	Supporter stopper spring (made in Japan)
3	829016002	Pressure adjusting sticker			
4	652203004	Machine screw 3 x 3.5			
5	751121007	Front bracket			
6	751022007	Drag rod link (front)			
7	000002105	Snap ring E-3			
8	751657007	BH lever (unit)			
9	751610008	BH lever (unit)			
10	000023009	S.P 1.6 x 4			
11	753027008	Friction spring			
12	652203004	Setscrew 3 x 3.5			
13	753029000	BH lever adjusting plate			
14	000001207	Snap ring E-2.5			
15	753026007	BH lever supporter			
16	000101404	Setscrew 4 x 6			
17	000160102	Adjustable lock nut 4			
18	685042005	Supporter stopper			
19	000097200	Setscrew 4 x 12			
20	647510001	Lamp socket (unit) (for N.H.)			
21	000009803	Lamp 120V 15W			
22	652137006	Arm thread guide (2)			
23	751521001	Thread tension dial (unit)			



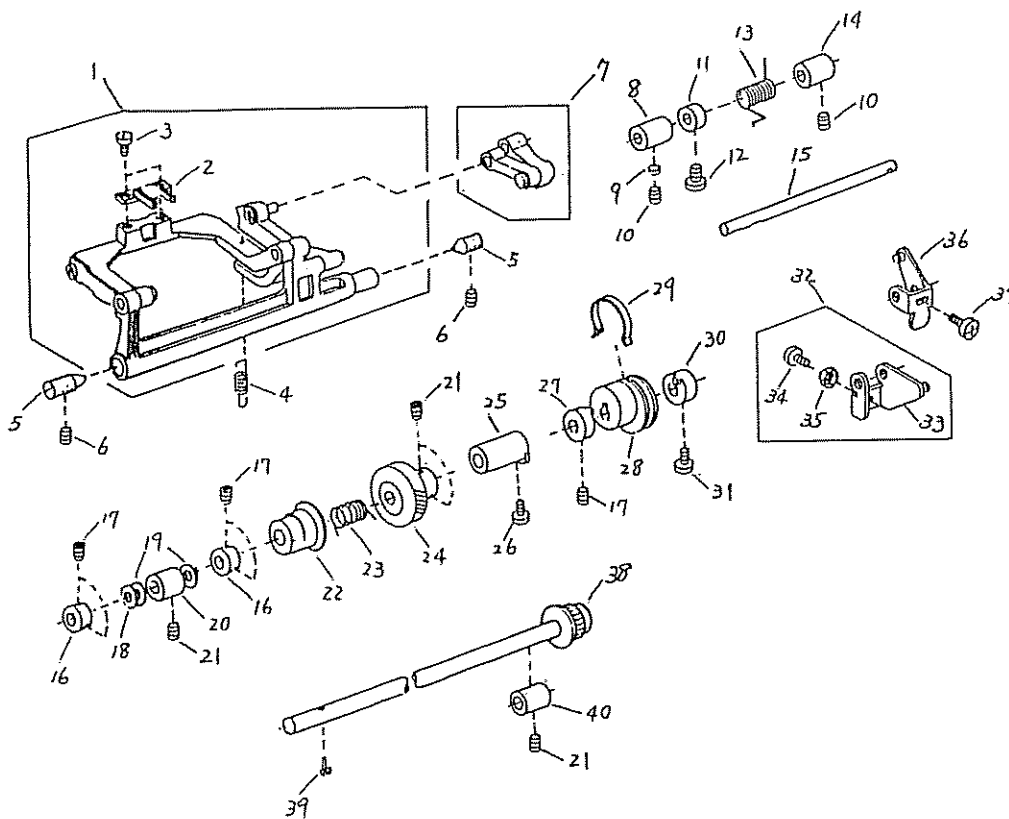
For Canada



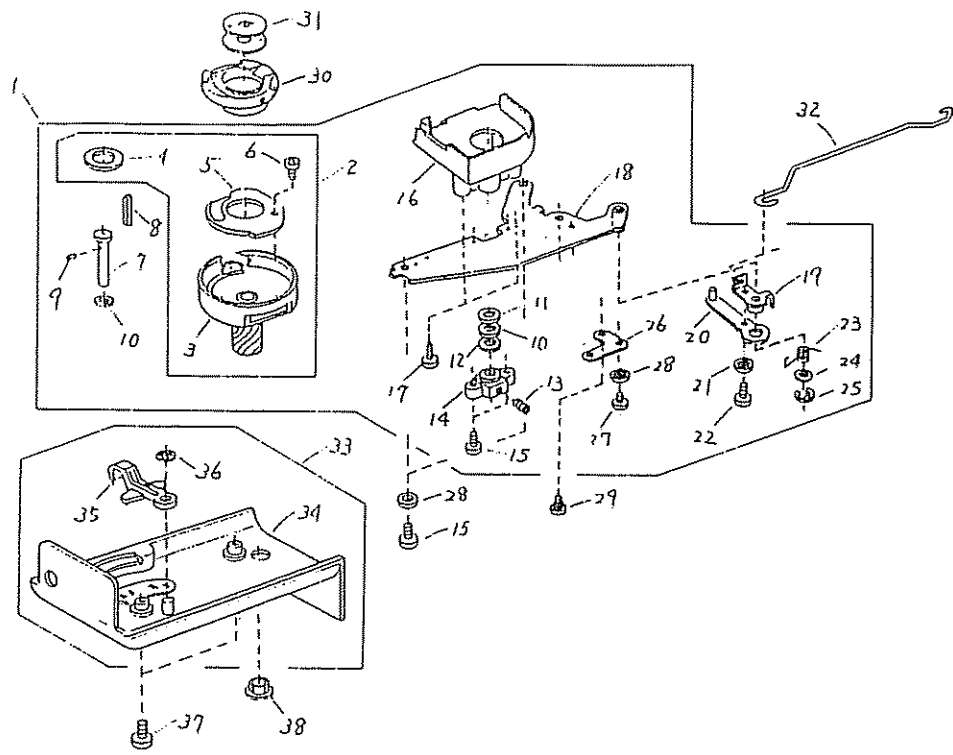
No.	Part No.	Part Name	No.	Part No.	Part Name
1	751647004	Front bracket (unit)	24	000093309	Setscrew 4 x 14
2	751122008	Switch holder plate	(25)	751195002	Supporter stopper spring (made in Japan)
3	829016002	Pressure adjusting sticker			
4	652203004	Machine screw 3 x 3.5			
5	751121007	Front bracket			
6	751022007	Drag rod link (front)			
7	000002105	Snap ring E-3			
8	751657007	BH lever (unit)			
9	751610008	BH lever (unit)			
10	000023009	S.P 1.6 x 4			
11	753027008	Friction spring			
12	652203004	Setscrew 3 x 3.5			
13	753029000	BH lever adjusting plate			
14	000001207	Snap ring E-2.5			
15	753026007	BH lever supporter			
16	000101404	Setscrew 4 x 6			
17	000160102	Adjustable lock nut 4			
18	685042005	Supporter stopper			
19	000097200	Setscrew 4 x 12			
20	647513015	Lamp socket (unit)			
21	000009803	Lamp 120V 15W			
22	652137006	Arm thread guide (2)			
23	751521001	Thread tension dial (unit)			



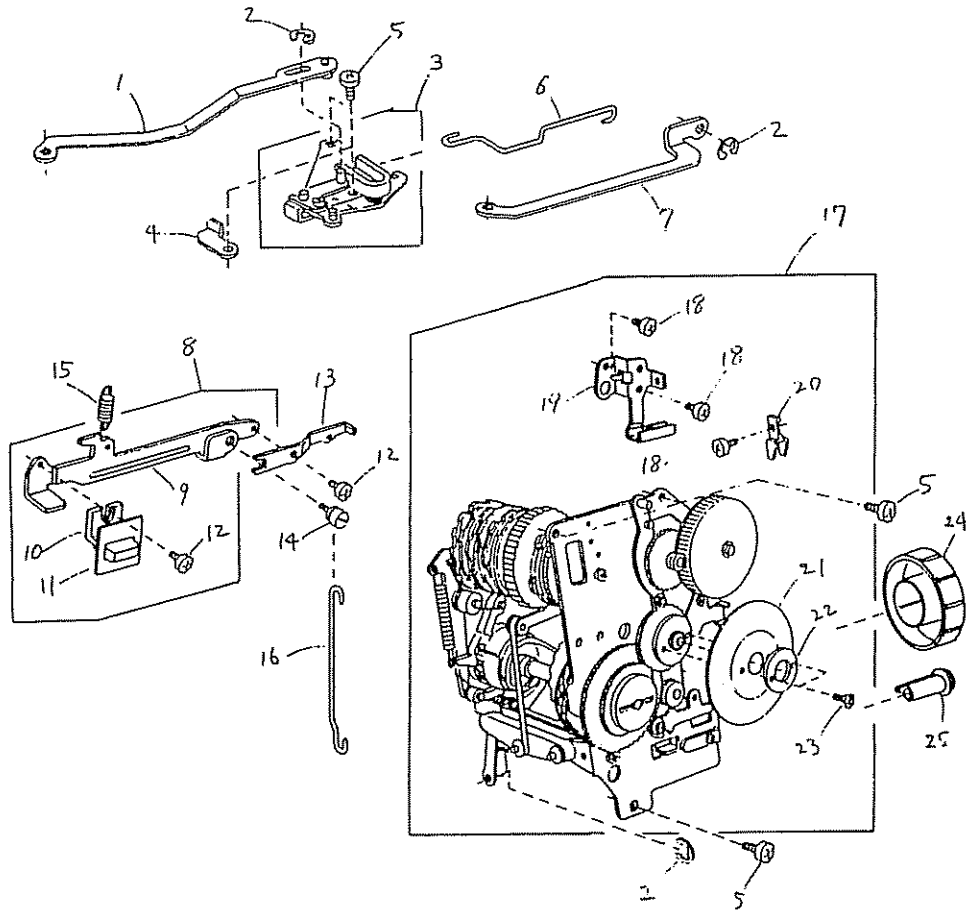
No.	Part No.	Part Name	No.	Part No.	Part Name
1	751520000	Upper shaft (unit)	24	000001702	Snap ring E-6
2	000111304	Hexagon socket screw 5 x 5	25	820511108	Thread take-up lever (unit)
3	650060001	Worm gear			
4	000111201	Hexagon socket screw 4 x 4			
5	673062004	Upper shaft rear metal			
6	650063004	Upper shaft timing wheel			
7	000030205	Snap ring E-8			
8	650071005	Timing belt			
9	751650000	Balance wheel (unit)			
10	751124000	Balance wheel			
11	650065006	Clutch pin			
12	650066007	Clutch pin spring			
13	751125001	Clutch knob			
14	650068009	Clutch spring			
15	000107307	Tapping screw 3 x 8 (B)			
16	000036201	Thrust washer 8-0.5			
17	650174009	Washer			
18	810346006	Cam shaft screw			
19	650070509	Clutch cap			
20	000036706	Thrust washer FT100			
21	653139012	Timing belt			
22	652512009	Needle bar crank pin (unit)			
23	650062003	Thread take-up lever shaft			



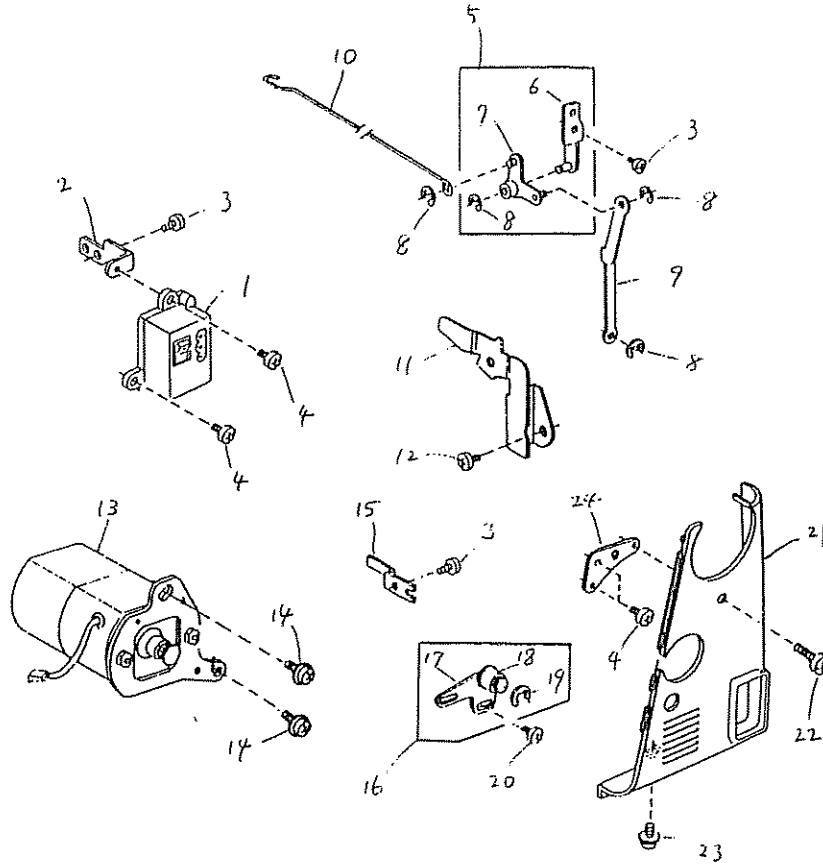
No.	Part No.	Part Name	No.	Part No.	Part Name
1	751640007	Feed rock shaft (unit)	24	650076000	Lower shaft gear
2	827041000	Feed dog	25	751093009	Lower shaft sleeve
3	000104005	Setscrew 3.5 x 8	26	000069708	Setscrew 3 x 10
4	650085002	Feed bar spring	27	625118007	Feed cam ring
5	738055008	Straight pin	28	625120105	Feed cam
6	000111304	Hexagon socket screw 5 x 5	29	627207000	Feed cam spring
7	650612004	Feed regulator (unit)	30	650074008	Forward feed cam ring
8	625144002	Feed shaft bushing (front)	31	000121606	Tapping screw 3 x 12S
9	650175000	Screw seat plate	32	751613001	Feed adjusting shaft arm (unit)
10	000111201	Hexagon socket screw 4 x 4	33	751098004	Feed adjusting shaft arm
11	820387000	Ring	34	000070001	Setscrew 4 x 14
12	000081005	Setscrew 4 x 8	35	000160102	Adjustable lock nut 4
13	652050004	Regulator spring	36	653078001	Feed shaft plate
14	650092002	Feed shaft bushing (rear)	37	000100403	Setscrew 3 x 14
15	751024009	Feed shaft	38	751612000	Lower shaft (unit)
16	820166001	Ring	39	820161006	Feed lifting pin
17	000111201	Hexagon socket screw 4 x 4	40	650079003	Lower shaft bushing (rear)
18	830336005	Washer	(19)	830954005	Thrust washer FT80 (made in Japan)
19	000038502	Washer 8-0.5			
20	650078002	Lower shaft bushing (front)			
21	000111304	Hexagon socket screw 5 x 5			
22	753183025	Feed lifting cam			
23	686035008	Feed lifting cam spring			



No.	Part No.	Part Name	No.	Part No.	Part Name
1	650614109	Hook complete (unit)	24	650023002	Plain washer
2	652623004	Hook (unit)	25	000002105	Snap ring E-3
3	652515002	Hook body (unit)	26	650171006	Positioning plate
4	627190009	Hook magnet	27	000101404	Setscrew 4 x 6
5	627191000	Hook bottom plate	28	000070506	Plain washer 4
6	820374004	Setscrew 2 x 2.3	29	650172007	Setscrew
7	820123006	Hook shaft	30	627569209	Bobbin holder (unit)
8	820124007	Hook shaft oil felt (1)	31	102261103	Bobbin
9	820125008	Hook shaft oil felt (2)	32	751025000	Feed shift rod
10	000038409	Washer 6 x 0.5	33	751601014	Bed cover (unit)
11	627192001	Hook shaft washer	34	751004003	Bed cover
12	625102008	Plain washer	35	753005000	Drop lever
13	000111304	Hexagon socket screw 5 x 5	36	000013903	Snap ring CS-5
14	650094004	Hook shaft base	37	000101703	Setscrew 4 x 12
15	000081005	Setscrew 4 x 8	38	653006101	Cap
16	827040009	Hook race cover			
17	000107204	Tapping screw 3 x 12 (B)			
18	650096006	Hook holder plate			
19	650097007	Feed shift arm			
20	650098008	Feed shift plate			
21	656159006	Plain washer 3.3			
22	000103808	Setscrew 3 x 5			
23	650099009	Feed shift spring			



No.	Part No.	Part Name	No.	Part No.	Part Name
1	650156005	Zigzag width rod (front)	24	751051005	Selector dial
2	000002105	Snap ring E-3	25	650162509	SS adjusting knob
3	686618001	Zigzag width crank (unit)			
4	688003003	Zigzag stopper			
5	000081005	Setscrew 4 x 8			
6	751058002	Zigzag width rod			
7	751059003	Zigzag width adjusting rod			
8	751623004	R lever (unit)			
9	751054008	R lever (1)			
10	751055102	R button			
11	751056000	R lever cover			
12	000101105	Setscrew 3 x 4			
13	653120009	R lever (2)			
14	751057001	R lever shaft			
15	751083006	R lever spring			
16	751095001	R rod			
17	751651001	Control mechanism block (unit)			
18	000103808	Setscrew 3 x 5			
19	751046007	Board holder plate			
20	751078008	Pattern positioning plate			
21	751045501	Pattern plate			
22	751099005	Pattern plate holder			
23	000163208	Setscrew 2 x 5 (B)			



No.	Part No.	Part Name	No.	Part No.	Part Name
1	739505001	Machine socket (unit)	24	827085017	Belt cover retaining plate
2	751137006	Machine socket holder plate			
3	000101404	Setscrew 4 x 6			
4	000081005	Setscrew 4 x 8			
5	751645002	Link base plate (unit)			
6	751113006	Link base plate			
7	751114007	Drag rod link			
8	000002105	Snap ring E-3			
9	751115008	BH drag rod (2)			
10	751068005	BH drag rod			
11	751117000	Cord guide (1)			
12	000103705	Setscrew 4 x 5			
13		Motor (unit) M-1062			
14	000115504	TP screw 5 x 10			
15	751073003	Cord holder			
16	753619003	Idler (unit)			
17	753119008	Idler base			
18	625217100	Idler			
19	000002806	Snap ring E-6			
20	810220003	Setscrew			
21	751136201	Belt cover			
22	000080901	Setscrew 4 x 25			
23	000115607	TP screw 4 x 8			