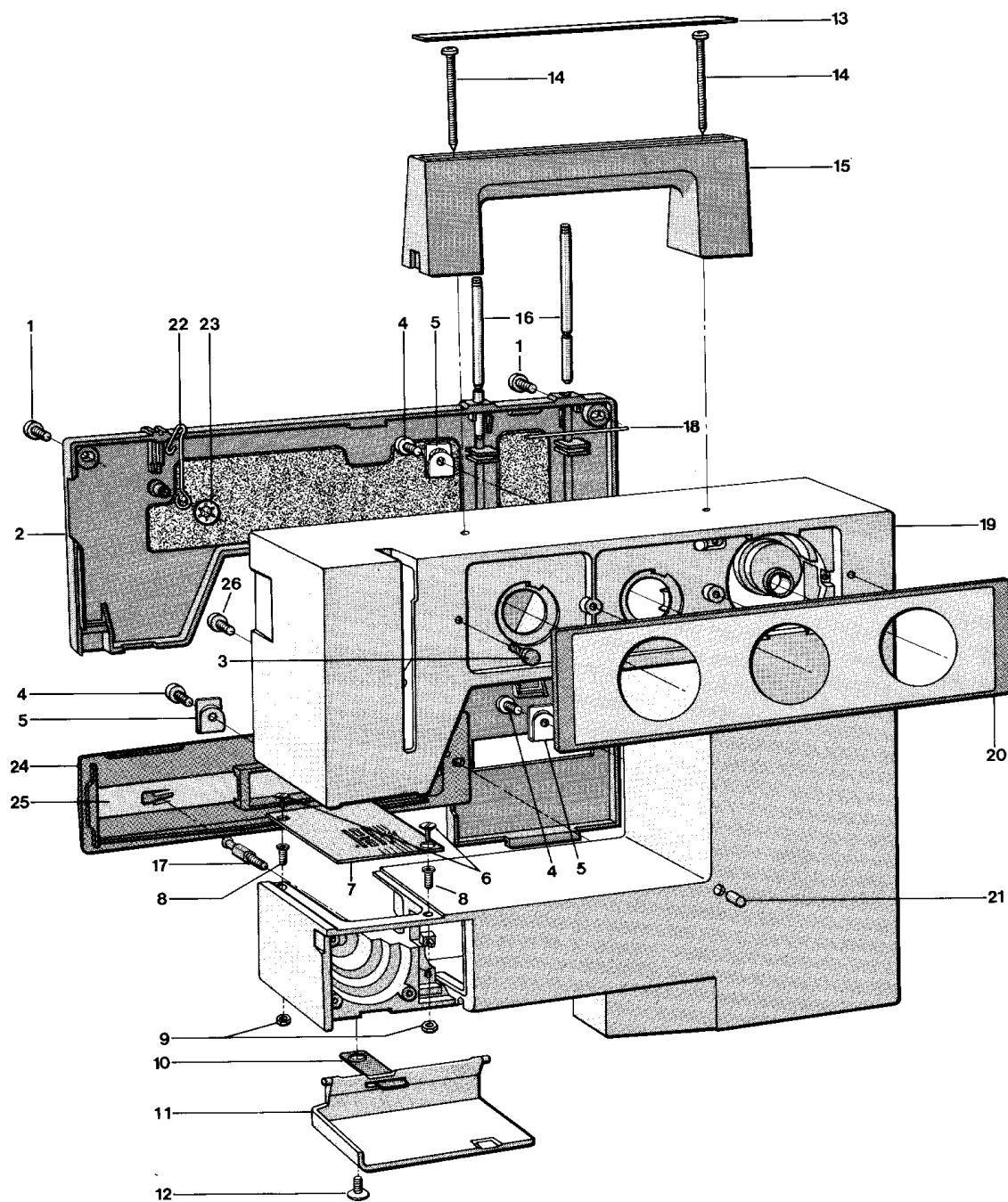
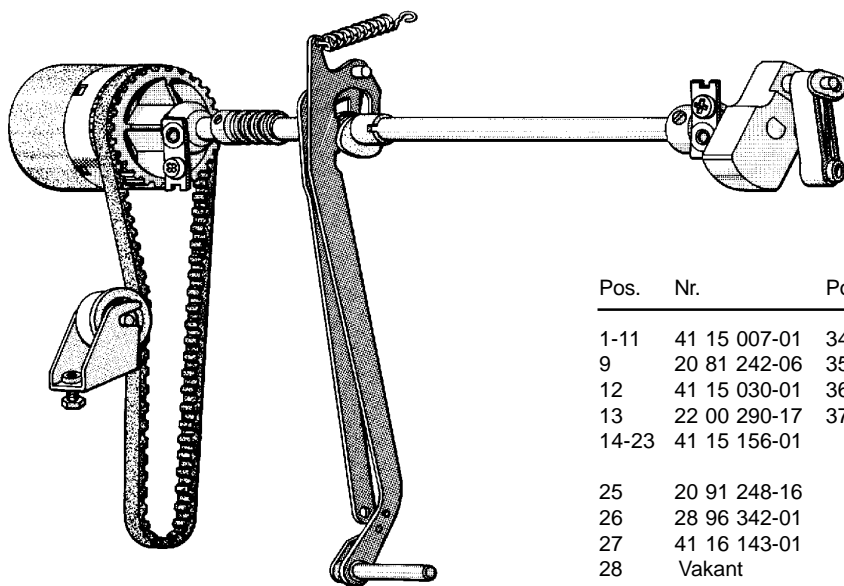
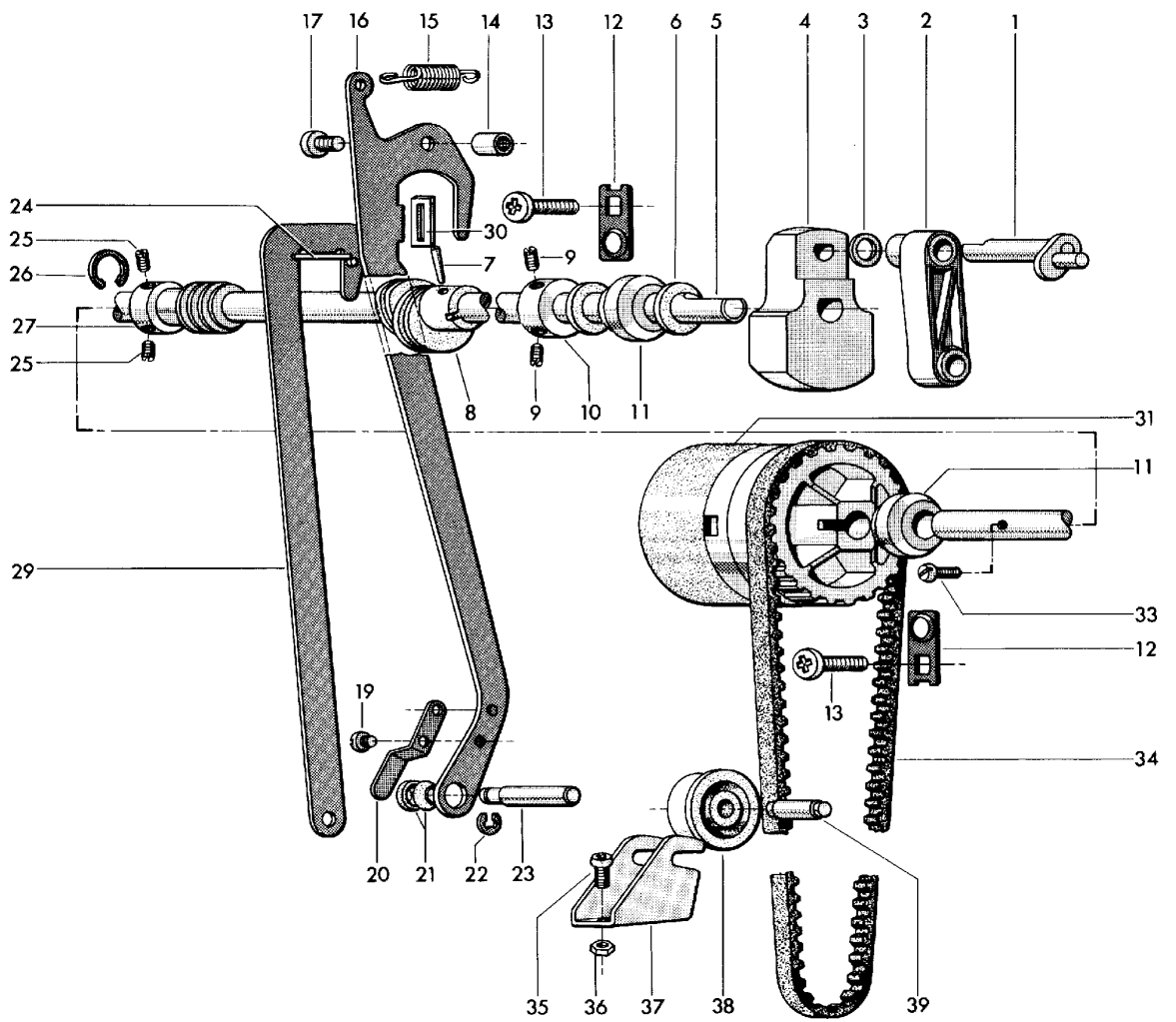


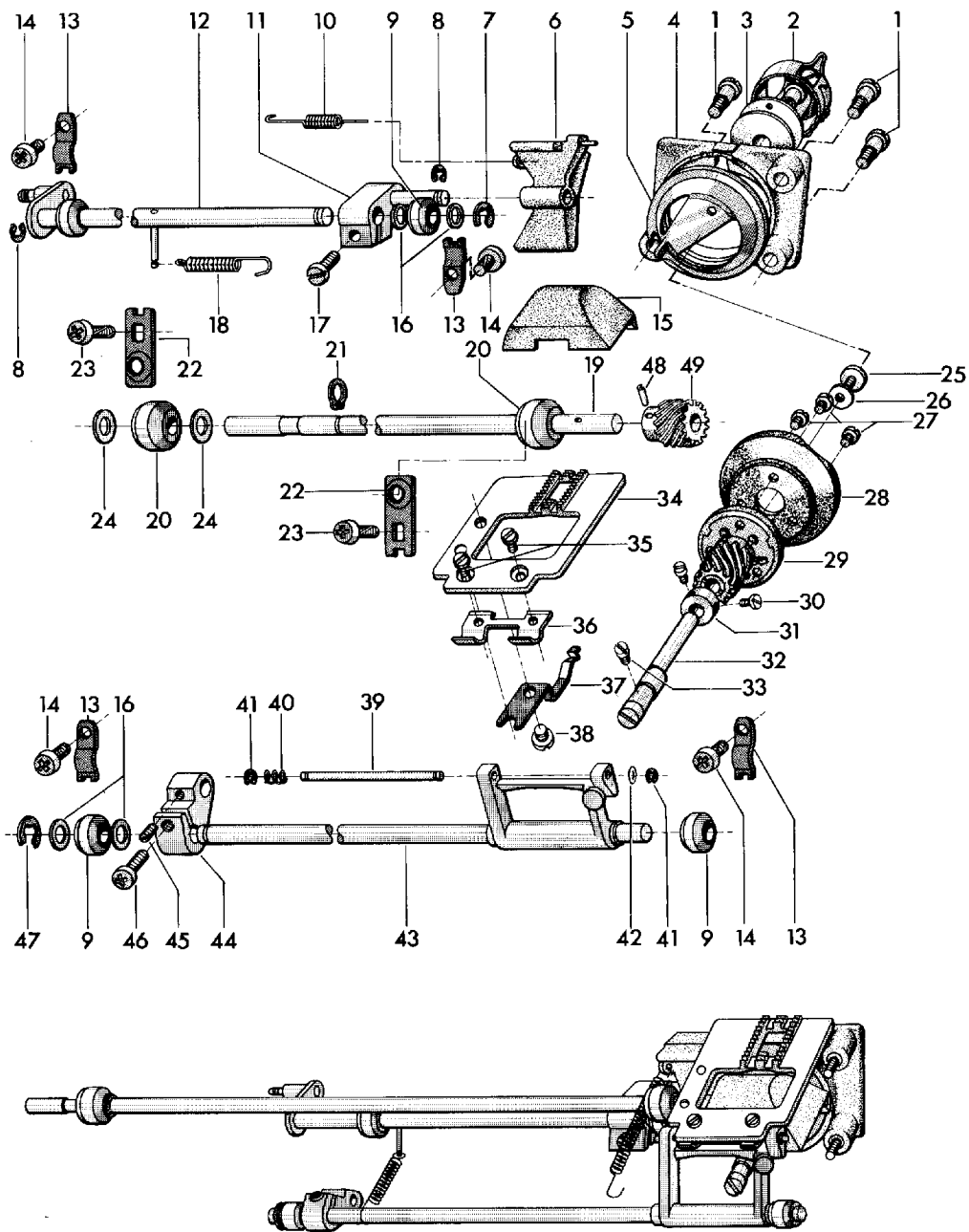
Spare Parts List
3600 - 3610



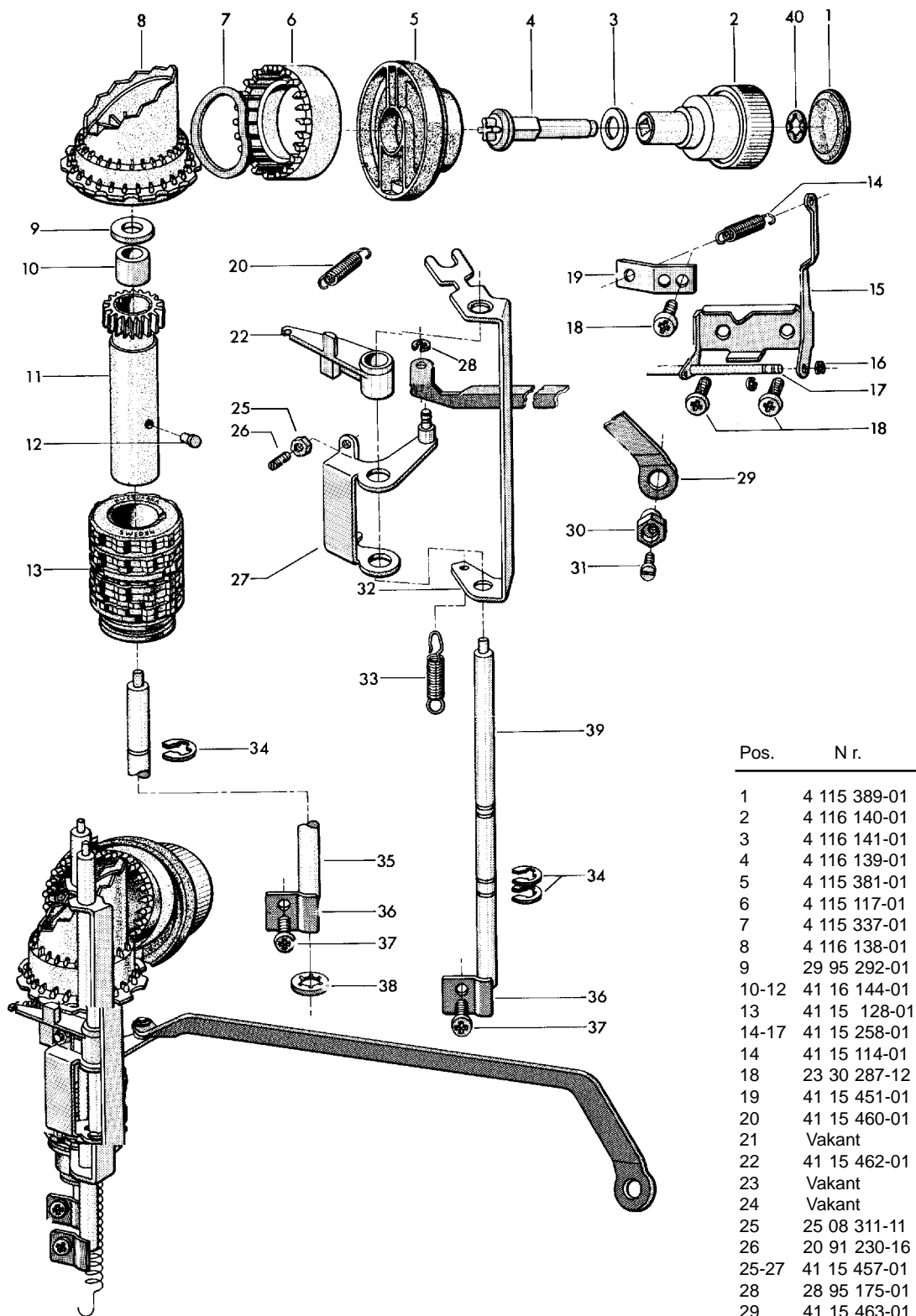
Pos.	Nr.	Pos.	Nr.	Pos.	Nr.
1	22 00 280-47	9	4 115 330-01	19	41 16 190-03
2	41 16 180-01	10	41 15 009-01	19	41 16 190-04
2	41 16 180-04	11	41 15 008-01	20	41 16 215-01
3	41 15 378-01	12	23 31 287-12	21	41 15 272-02
4	22 00 250-17	13	41 16 162-01	22	41 16 182-01
5	41 16 156-01	14	41 16 165-01	23	28 46 176-11
6	41 15 329-02	15	41 16 161-01	24	41 16 152-01
7	41 15 177-02	16	41 16 154-01	25	41 16 178-01
8	41 15 328-01	17	41 16 183-01	26	22 00 261-01
		18	41 16 157-01		



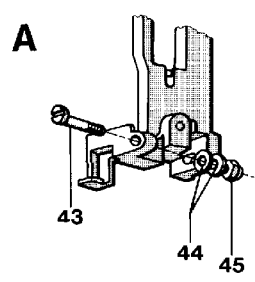
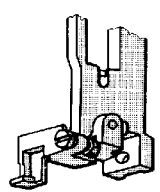
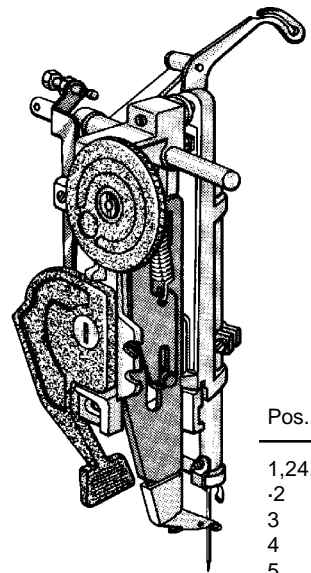
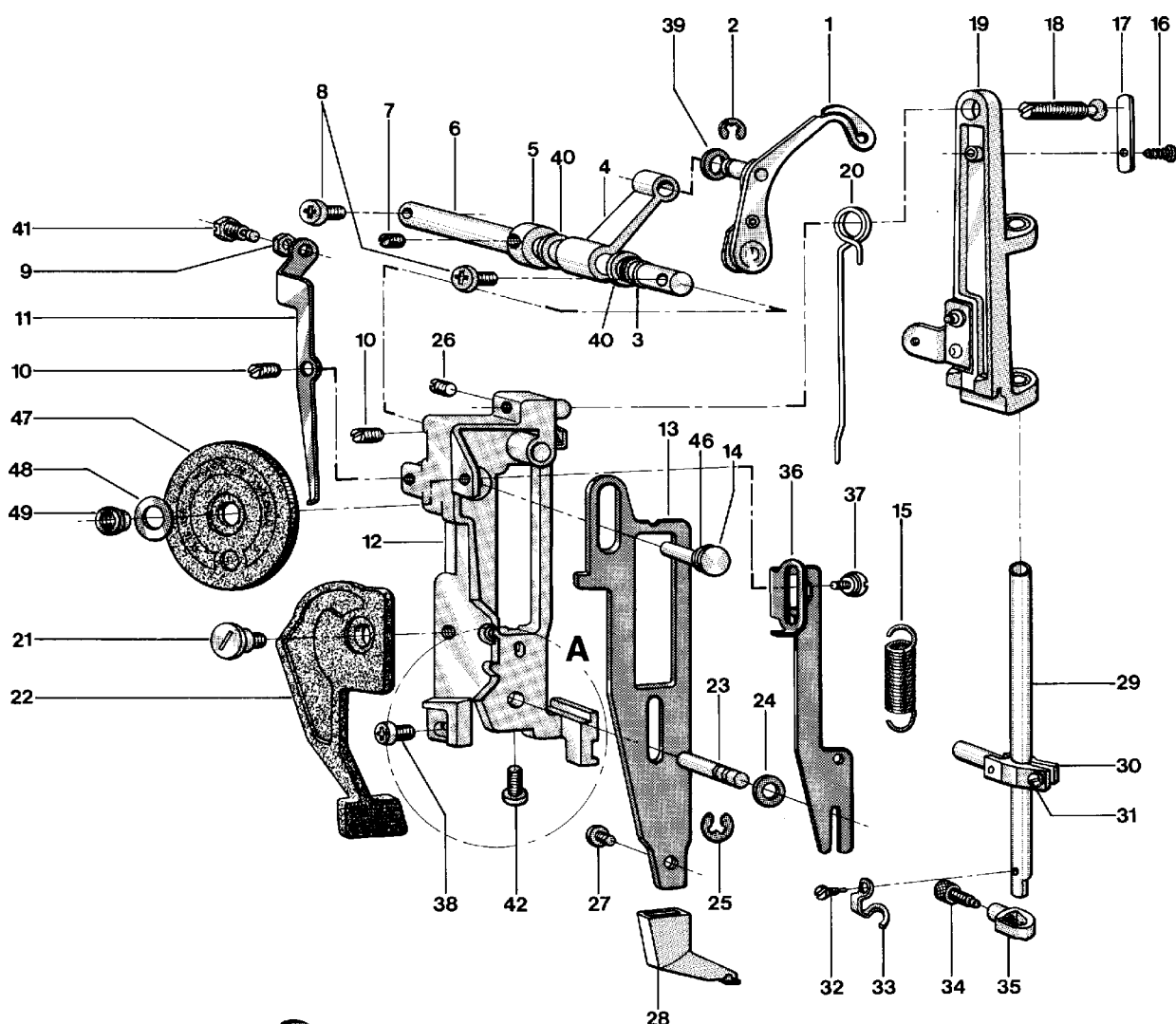
Pos.	Nr.	Pos.	Nr.
1-11	41 15 007-01	34	41 15 033-01
9	20 81 242-06	35	22 00 250-1
12	41 15 030-01	36	25 08 312-11
13	22 00 290-17	37-39	41 15 403-01
14-23	41 15 156-01		
25	20 91 248-16		
26	28 96 342-01		
27	41 16 143-01		
28	Vakant		
29	41 15 188-01		
30	41 15 158-01		
31	41 15 390-03		
32	Vakant		
33	41 16 227-01		



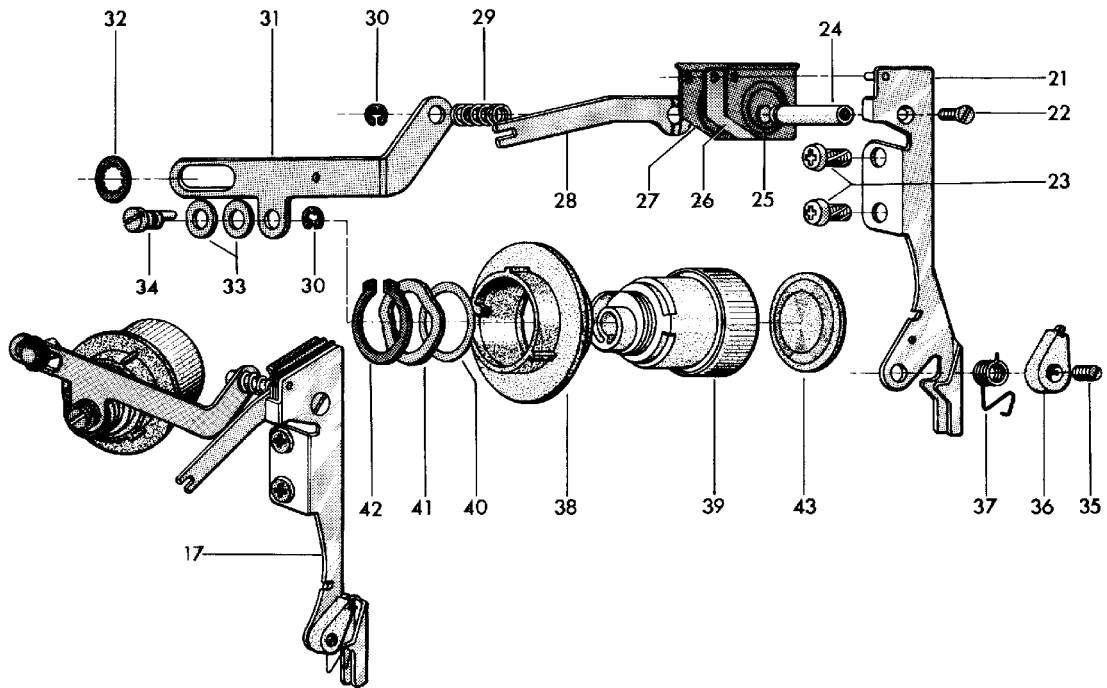
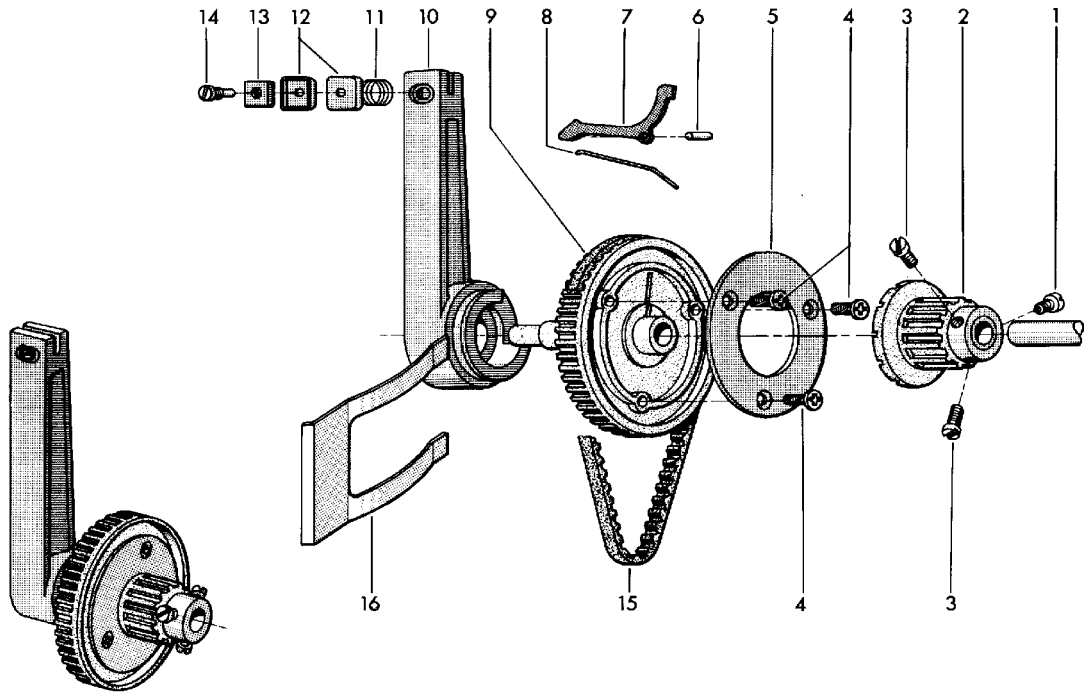
Pos.	Nr.	Pos.	Nr.	Pos.	Nr.	Pos.	Nr.
1	41 15 051-01	12	41 15 192-01	25	41 15 049-01	34,37,38	41 15 175-01
2,3,5	41 14 395-01	13	41 15 166-01	26	41 15 229-01		
2,3,5	41 14 395-02	14	23 30 291-12	27	20 56 709-02	39	41 15 361-01
2	40 11 530-02	15	41 15 041-01	28	41 15 044-01	40	41 15 362-01
2	40 11 530-03	16	28 01 441-01	29	41 16 124-01	41	28 95 160-01
3	41 14 401-01	17	20 62 289-16	30	20 56 709-02	42	28 16 137-01
4	41 15 050-02	18	41 16 204-01	31	4 1 15 048-01	43	41 15 170-01
5	41 14 396-01	19	41 15 038-01	32	4 1 15 042-01	44	41 15 164-01
6	41 15 174-02	20	41 15 039-01	33	4 1 16 115-01	45	20 83 284-46
7	28 95 205-01	21	28 20 007-01	34	4 1 15 173-01	46	20 62 289-16
8	28 95 190-01	22	41 15 030-01	35	4 1 15 370-01	47	28 95 205-01
9	41 15 165-01	23	22 00 261-01	36	4 1 15 172-01	48	28 80 260-01
10	41 15 183-01	24	41 15 519-02	37	4 1 15 184-01	49	41 15 040-01
11	41 15 182-01	25-32	41 15 230-01	38	20 62 217-46	19,48,49	41 15 226-01



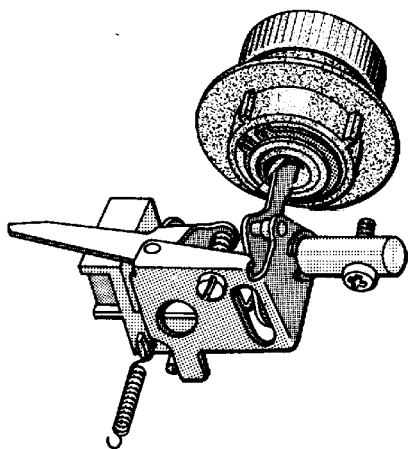
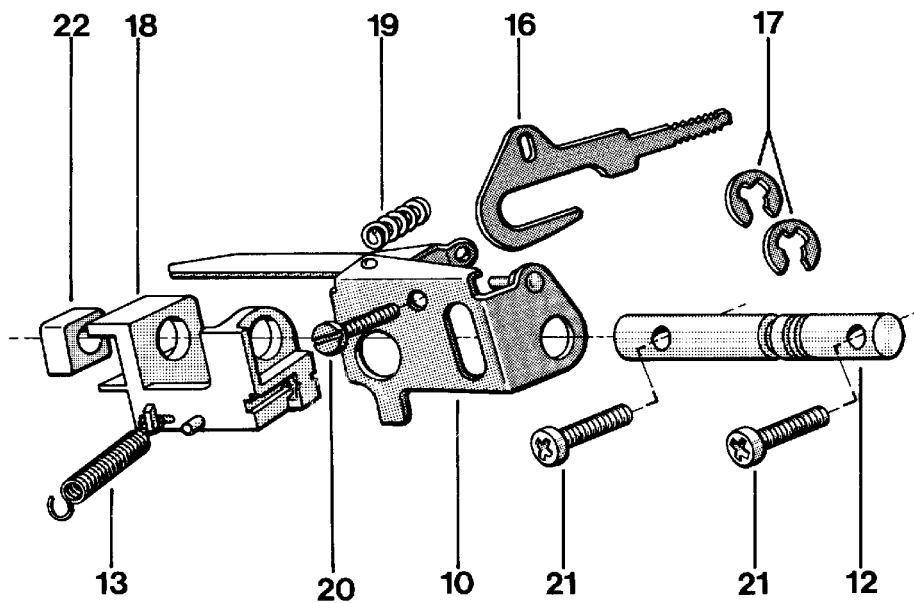
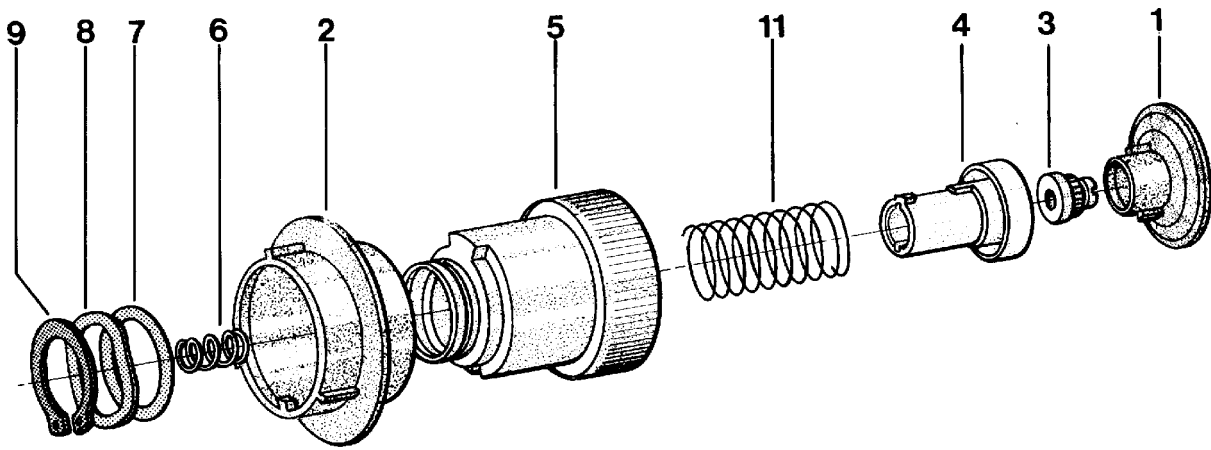
Pos.	N r.
1	4 115 389-01
2	4 116 140-01
3	4 116 141-01
4	4 116 139-01
5	4 115 381-01
6	4 115 117-01
7	4 115 337-01
8	4 116 138-01
9	29 95 292-01
10-12	41 16 144-01
13	41 15 128-01
14-17	41 15 258-01
14	41 15 114-01
18	23 30 287-12
19	41 15 451-01
20	41 15 460-01
21	Vakant
22	41 15 462-01
23	Vakant
24	Vakant
25	25 08 311-11
26	20 91 230-16
25-27	41 15 457-01
28	28 95 175-01
29	41 15 463-01
30	41 15 089-01
31	41 14 330-01
32	41 15 144-01
33	41 15 153-01
34	28 95 235-01
35	41 15 120-01
36	41 15 141-01
37	22 00 270-17
38	28 46 248-52
39	41 15 459-01
40	28 46 176-11



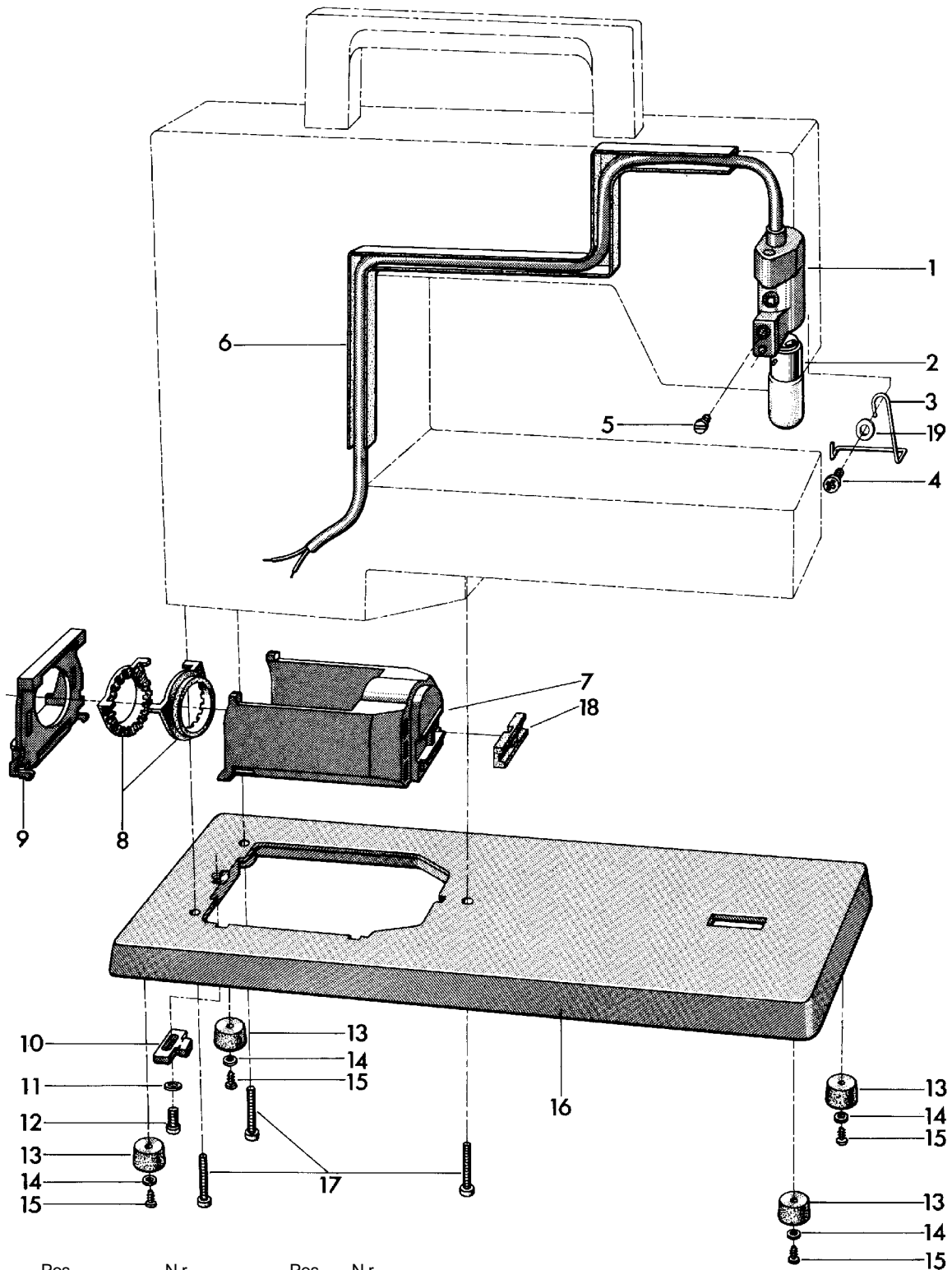
Pos.	N.r.	Pos.	N.r.	Pos.	N.r.
1,24,39	41 15 436-01	18	41 16 277-01	34	41 12 907-01
.2	28 95 190-01	19	41 16 278-01	35	41 10 749-01
3	41 15 305-01	20	41 15 325-01	36	41 16 200-01
4	41 15 438-01	21	41 15 059-01	37	41 16 197-01
5	41 15 093-01	22	41 15 058-03	38	22 00 261-01
6	41 15 055-01	23	41 16 199-01	39	41 15 439-01
7	20 83 284-46	24	41 15 439-01	40	41 15 519-02
8	22 00 290-17	25	28 95 205-01	41	41 15 261-01
9	25 09 312-11	26	20 56 773-01	42	41 16 115-01
10	20 83 287-46	27	41 15 062-01	43	41 16 114-01
11	41 15 082-01	28	41 15 394-01	44	29 90 155-01
12	41 16 276-01	29	40 11 620-03	45	25 80 118-01
13	41 15 061-01	30	41 15 067-01	46	41 15 519-01
14	41 15 081-01	31	20 62 222-36	47	41 16 196-01
15	41 16 238-01	29,32-35	40 11 619-03	48	41 16 241-01
16	23 40 150-12	32	40 12 109-01	49	41 16 198-01
17	41 15 088-01	33	41 12 487-01		



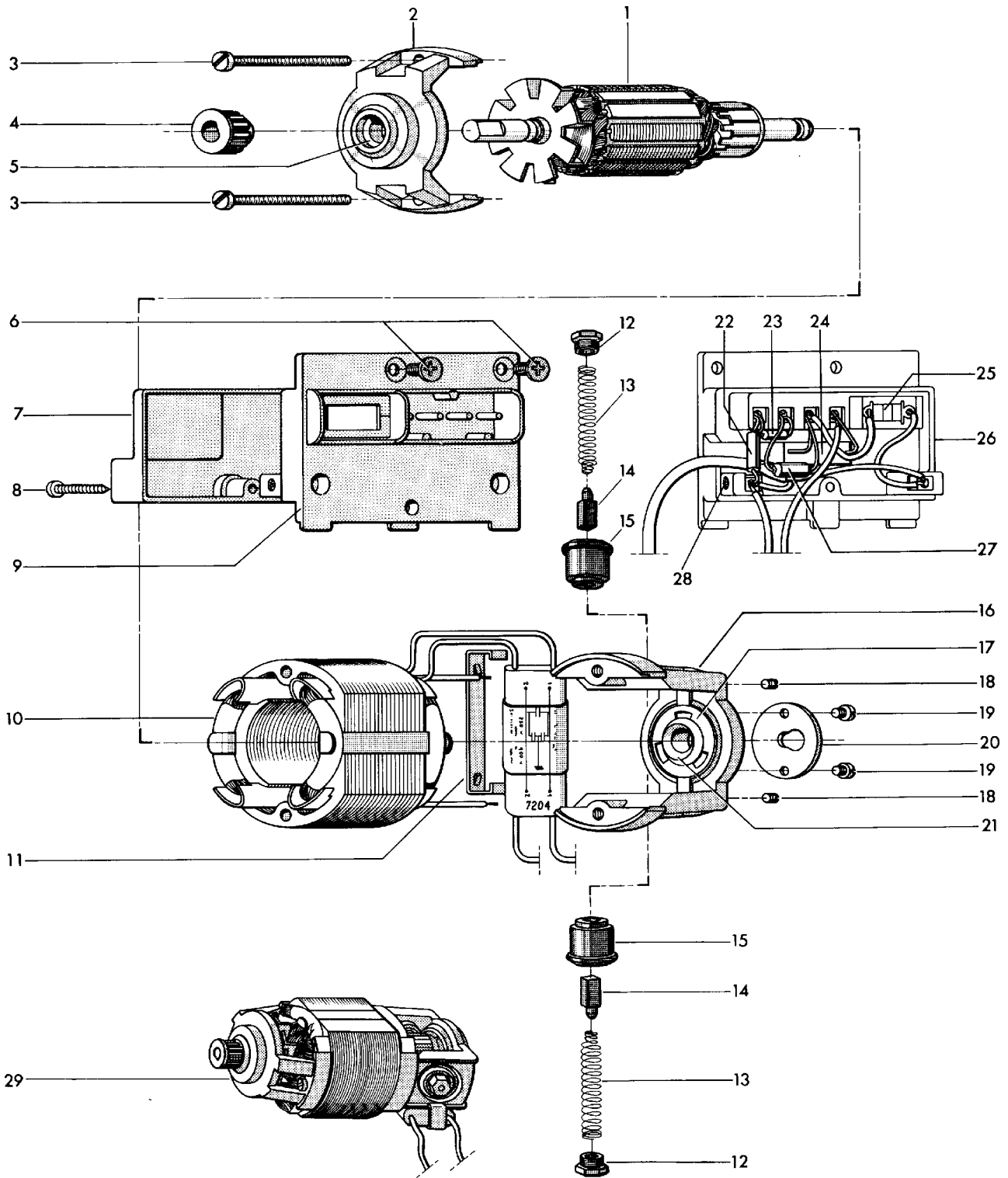
Pos.	N r.	Pos.	N r.	Pos.	N r.	Pos.	N r.
1-9	41 15 212-01	15	41 15 218-01	27	41 16 172-01	38	41 15 388-01
1	20 56 774-46	16	41 15 126-01	28	41 15 316-01	39	41 15 386-01
2	41 15 213-01	17	41 16 168-01	29	41 15 095-01	40	41 15 490-01
3	20 56 777-46	18	Vakant	30	28 95 190-01	41	40 12 556-04
4	23 27 222-16	19-20	Vakant	31	41 15 104-01	42	28 20 019-01
6	41 15 225-01	21	41 16 169-01	32	28 46 176-11	43	41 15 389-01
6	28 25 158-07	22	20 63 220-11	33	29 90 160-03		
7	41 15 227-01	23	23 30 287-12	34	41 15 107-01		
8	41 15 228-01	24	41 15 097-01	35	20 83 284-46		
9	41 15 215-01	25	41 16 170-01	36	41 15 099-01		
10-14	41 16 186-01	26	41 16 171-01	37	41 15 098-01		



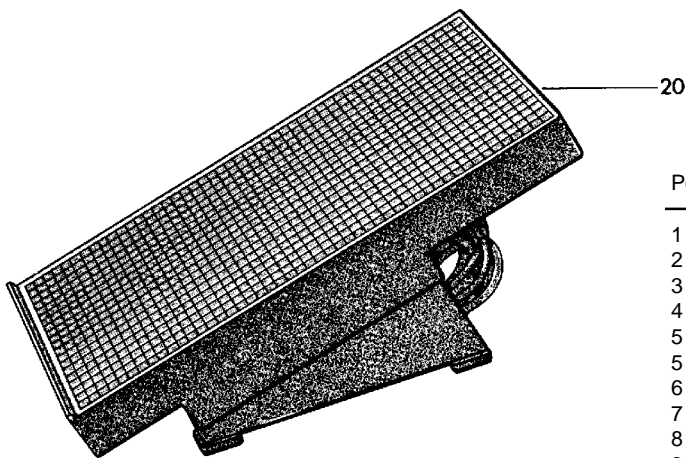
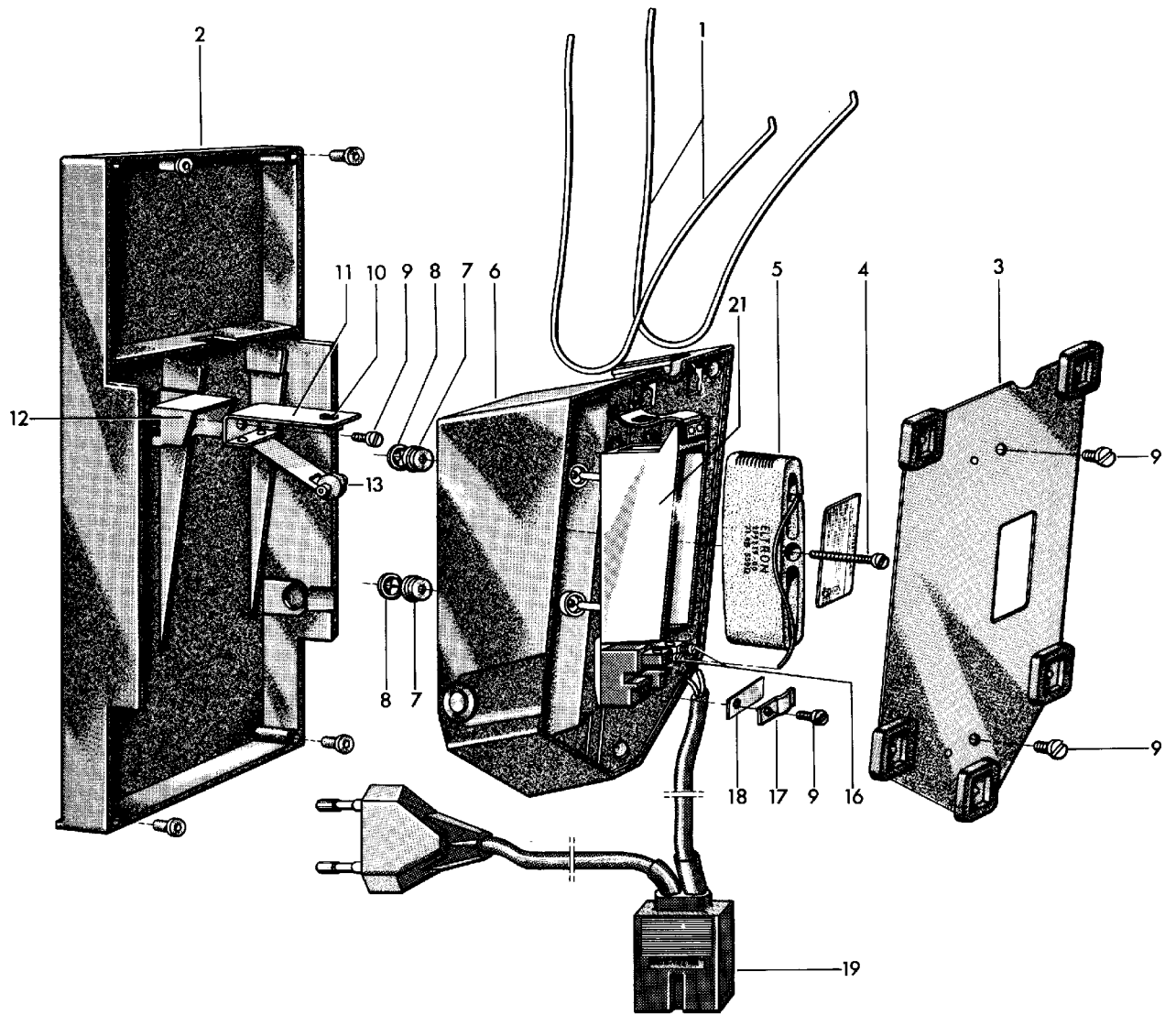
Pos.	N r.	Pos.	N r.
1	41 15 385-01	11	41 15 384-01
2	41 15 388-01	12	41 15 442-01
3	41 15 195-01	13	41 15 444-01
4	41 15 383-01	14	Vakant
5	41 15 382-01	15	Vakant
6	41 10 596-01	16	41 15 443-01
7	41 15 490-01	17	28 95 235-01
8	40 12 556-04	18	Vakant
9	28 20 019-01	19	41 15 450-01
10,12,13,16-20	41 15 440-01	20	20 62 228-11
10	41 15 445-01	21	22 00 290-17
		22	40 12 240-01



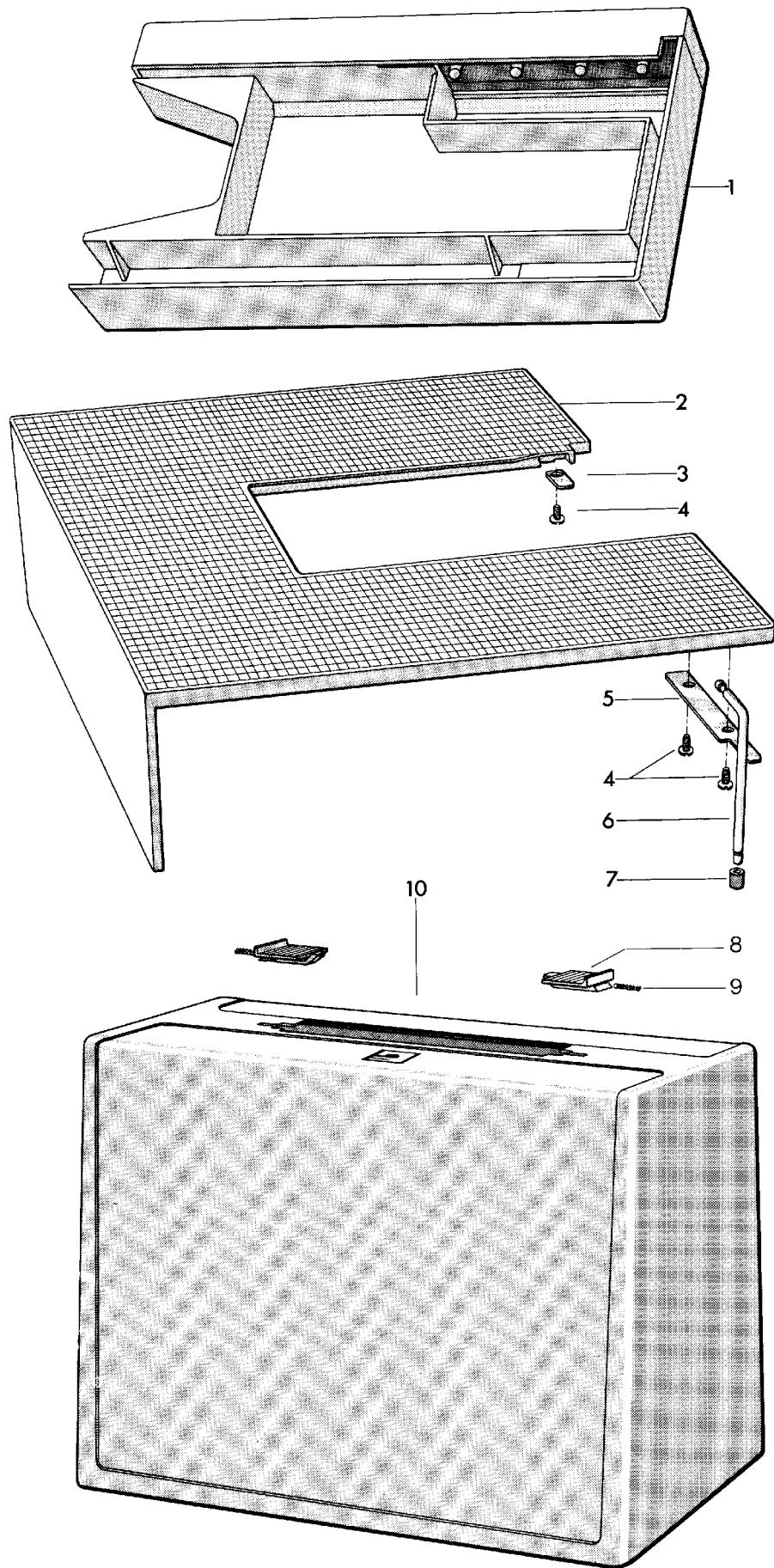
Pos.	Nr.	Pos.	Nr.
1	41 11 164-01	9	41 15 222-01
1	41 11 165-01	10	41 15 284-01
1	41 11 166-01	11	28 16 181-01
1	41 11 167-01	12	22 00 410-17
2	41 15 140-01	13-16	41 16 164-01
2	41 15 140-02	13	41 15 014-01
3	41 16 203-01	14	28 01 212-11
4	23 30 287-12	15	23 40 221-01
5	20 62 220-11	16	41 16 163-03
6	41 15 327-01	17	22 00 460-16
7	41 15 219-01	18	41 15 259-01
8	41 15 220-01	19	28 01 230-11



Pos.	Nr.	Pos.	Nr.	Pos.	Nr.
1	41 14 862-01	11	41 14 873-01	22	41 14 884-01
2	41 14 861-01	12	41 14 868-01	23	41 14 881-01
3	41 14 860-01	13	41 14 869-01	24	41 14 882-01
4	41 15 224-01	14	41 14 870-01	25	41 14 880-01
5	41 14 863-01	15	41 14 871-01	26	41 16 184-01
6-9,22-28	41 11 096-01	16	41 14 874-01	27	41 14 883-01
6	23 31 289-12	17	41 14 886-01	28	41 14 864-01
7	41 14 866-01	18	41 14 875-01	29	41 11 033-01
8	41 14 865-01	19	41 14 877-01	29	41 11 037-01
9	41 14 867-01	20	41 14 876-01	29	41 11 039-01
10	41 14 872-01	21	41 14 885-01	29	41 11 041-01



Pos.	Nr.	Pos.	Nr.
1	41 14 897-01	16	41 14 890-01
2	41 14 899-01	17	41 14 889-01
3	41 14 898-01	18	41 14 907-01
4	41 14 901-01	19	41 14 905-01
5	41 14 903-01	19	41 14 906-01
5	41 14 904-01	19	41 16 104-01
6	41 14 891-01	19	41 16 244-01
7	41 14 895-01	19	41 16 245-01
8	41 41 887-01	20	41 11 118-01
9	41 14 900-01	20	41 11 125-01
20	41 14 893-01	20	41 11 126-01
11	41 14 892-01	20	41 11 127-01
12	41 14 894-01	20	41 11 129-01
13	41 14 888-01	20	41 11 134-01
14	Vakant	21	41 14 930-01
15	Vakant		



Pos.	Nr.
1	41 15 307-01
2-7	41 16 173-01
3	41 15 303-01
4	20 63 220-11
5	41 15 336-01
6	41 15 335-01
7	41 15 369-01
8-10	41 16 158-01
8	41 15 201-01
9	41 15 202-01

Number	Denominator
40 15 399-01	Buttonhole knife
40 15 555-01	Brush
41 10 714-01	Needle box
41 11 383-01	Zig-zag presser foot
41 11 650-01	Buttonhole presser foot
41 12 697-01	Screw driver
41 12 989-01	Zipper foot
41 14 401-01	Bobbin
41 15 307-01	Accessory box, compl.
41 15 331-01	Blindstitching presser foot
41 16 202-02	Accessory box with standard accessories

Nummer	Denomination	Nummer	Denomination
20 56 709-02	Set screw	40 12 109-01	Screw
20 56 773-01	Set screw	40 12 240-01	Block
20 56 774-45	Set screw	40 12 556-04	Spring washer
20 56 777-46	Set screw	40 12 556-04	Spring washer
20 62 217-46	Screw	41 10 596-01	Spring
20 62 220-11	Screw	41 10 749-01	Needleholder
20 62 222-36	Screw	41 11 033-01	Motor, KSH 500, 220 V Stand.
20 62 228-11	Screw	41 11 037-01	Motor KSH 530, 240 V, Australia, England, New Zealand, South Africa
20 62 289-16	Screw	41 11 039-01	Motor KSH 510, 1 1 0 V, USA, Canada
20 62 289-16	Screw	41 11 041-01	Motor KSH 520, 1 1 0/220 V, France
20 63 220-11	Screw	41 11 096-01	Terminalboard
20 63 220-11	Screw	41 1 1118-01	Foot control FR 600 stand.
20 81 242-06	Set screw	41 1 1125-01	Foot control, FR 630, Australia
20 83 284-46	Set screw	41 1 1126-01	Foot control, FR 610, USA,Canada
20 83 284-46	Set screw	41 1 1127-01	Foot control, FR 620, England, South Africa
20 83 284-46	Set screw	41 1 1129-01	Foot control, FR 640, Switzerland
20 83 287-46	Set screw	41 1 1134-01	Foot control, FR 625, New Zealand
20 91 230-16	Set screw	41 11 164-01	Lampsocket, compl. stand.
20 91 248-16	Set screw	41 11 165-01	Lampsocket, compl. USA,Canada
22 00 250-17	Screw	41 11 166-01	Lampsocket, compl. England
22 00 250-17	Screw	41 11 167-01	Lampsocket, compl. Australia
22 00 261-01	Screw	41 12 487-01	Thread guide
22 00 261-01	Screw	41 12 907-01	Screw
22 00 261-01	Screw	41 14 330-01	Screw
22 00 270-17	Screw	41 14 401-01	Bobbin
22 00 280-47	Screw	41 14 860-01	Screw
22 00 290-17	Screw	41 14 861-01	Bearing end plate, driving side
22 00 290-17	Screw	41 14 862-01	Rotor, stand. 220 V
22 00 290-17	Screw	41 14 863-01	Bearing holder
22 00 410-17	Screw	41 14 864-01	Screw
22 00 460-16	Screw	41 14 865-01	Screw
23 27 222-16	Screw	41 14 866-01	Cover
23 30 287-12	Screw	41 14 867-01	Terminal board holder
23 30 287-12	Screw	41 14 868-01	Brush holder cover
23 30 287-12	Screw	41 14 869-01	Spring
23 30 291-12	Screw	41 14 870-01	Carbon brush
23 31 287.-12	Screw	41 14 871-01	Brush holder
23 31 289-12	Screw	41 14 872-01	Stator 220 V Stand.
23 40 150.,12	Screw	41 14 873-01	Condensor holder
23 40 221-01	Screw	41 14 874-01	Bearing end plate, commutator side
25 08 311-11	Nut	41 14 875-01	Screw
25 08 312-11	Nut	41 14 876-01	Locking washer
25 09 312-11	Nut	41 14 877-01	Screw
25 80 118-01	Securing nut	41 14 880-01	Switch
28 01 212-11	Washer	41 14 881-01	Discharge resistance
28 01 230-11	Washer	41 14 882-01	Condensor
28 01 441-01	Washer	41 14 883-01	Interference suppressor
28 16 137-01	Washer	41 14 884-01	Interference suppressor
28 16 181-01	Washer	41 14 885-01	Bearing bushing
28 20 007-01	C-ring	41 14 886-01	Spring washer
28 20 019-01	C-ring	41 14 887-01	Lock washer
28 20 019-01	C-ring	41 14 888-01	Contact holder, compl.
28 25 158-07	Pin	41 14 889-01	Support
28 46 176-11	Locking washer	41 14 890-01	Screw
28 46 248-52	Locking washer	41 14 891-01	Base plate
28 80 260-01	Elastic tubular pin	41 14 892-01	Contact cia
28 95 160-01	C-washer	41 14 893-01	Interrupting
28 95 175-01	C-washer	41 14 894-01	Guard
28 95 190-01	C-washer	41 14 895-01	Heat insular
28 95 190-01	C-washer		
28 95 190-01	C-washer		
28 95 205-01	C-washer		
28 95 205-01	C-washer		
28 95 205-01	C-washer		
28 95 205-01	C-washer		
28 95 235-01	C-washer		
28 95 235-01	C-washer		
28 96 342-01	Clamping ring		
29 90 155-01	Cup spring		
29 90 160-03	Cup spring		
29 95 292-01	Washer		
40 11 520-02	Rotating shuttle withbobbin case and bobbin		
40 11 521-01	Rotating shuttle		
40 11 530-02	Bobbin case		
40 11 619-03	Needlebar, compl. with needleholder		
40 11 620-03	Needlebar		

Nummer	Denomination	Nummer	Denomination
41 14 897-01	Spring	41 15 177-02	Throatl
41 14 898-01	Bottom plate	41 15 182-01	Levera
41 14 899-01	Cover	41 15 183-01	Spring
41 14 900-01	Screw	41 15 184-01	Holder
41 14 901-01	Screw	41 15 188-01	Crank,,
41 14 903-01	Resistance 220, 240 V	41 15 192-01	Shaft, compl.
41 14 904-01	Resistance 1 1 0 V	41 15 195-01	Adjustment nut
41 14 905-01	Cord device FR 600 Stand.	41 15 201-01	Locking device
41 14 905-01	Cord device FR 640 Switzerland	41 15 202-01	Spring
41 14 906-01	Cord device FR 610 USA,Canada	41 15 212-01	Bobbin winding device compl.
41 14 907-01	Washer (only for USA)	41 15 213-01	Cog wheel
41 14 930-01	Shield	41 15 215-01	Driving wheel
41 15 007-01	Arm shaft, compl.	41 15 218-01	Cog belt
41 15 008-01	Cover, white	41 15 219-01	Motor case
41 15 009-01	Locking spring	41 15 220-01	Suspension ring
41 15 014-01	Foot	41 15 222-01	Face plate
41 15 030-01	Clamp	41 15 224-01	Driving wheel
41 15 030-01	Clamp	41 15 225-01	Disk
41 15 033-01	Cog belt	41 15 226-01	Lower shaft, compl.
41 15 038-01	Lower shaft	41 15 227-01	Leverarm
41 15 039-01	Bearing	41 15 228-01	Spring
41 15 040-01	Helical gear, lower shaft	41 15 229-01	Washer
41 15 041-01	Dust shield	41 15 230-01	Shuttle shaft, compl.
41 15 042-01	Shuttle shaft	41 15 258-01	Lever arm, compl.
41 15 044-01	Driver	41 15 259-01	Buffer
41 15 048-01	Stop ring	41 15 261-01	Screw
41 15 049-01	Screw	41 15 272-02	Pin
41 15 050-02	Shuttle cover	41 15 284-01	Holder
41 15 051-01	Shoulder screw	41 15 303-01	Fitting
41 15 055-01	Shaft	41 15 305-01	Spring
41 15 058-01	Presser bar lifter	41 15 307-01	Accessory box, compl.
41 15 059-01	Shoulder screw	41 15 316-01	Link
41 15 061-01	Presser bar	41 15 325-01	Spring
41 15 062-01	Screw	41 15 327-01	Cord guard
41 15 067-01	Cross head	41 15 328-01	Guide
41 15 081-01	Eccentric pivot	41 15 329-02	Screw
41 15 082-01	Leverarm	41 15 330-01	Nut
41 15 088-01	Lock plate	41 15 335-01	Support
41 15 089-01	Eccentric	41 15 336-01	Clamp
41 15 093-01	Stop ring	41 15 337-01	Spring washer
41 15 095-01	Spring	41 15 361-01	Shaft
41 15 097-01	Shaft	41 15 362-01	Spring
41 15 098-01	Thread feeding spring	41 15 369-01	Foot
41 15 099-01	Adjustment casing	41 15 370-01	Screw
41 15 104-01	Link	41 15 378-01	Shoulder screw
41 15 107-01	Eccentric	41 15 381-01	Index disk
41 15 114-01	Spring	41 15 382-01	Knob stitch regulating mechanism
41 15 117-01	Driver	41 15 383-01	Guide
41 15 120-01	Shaft	41 15 384-01	Spring , reverse feed
41 15 126-01	Locking spring	41 15 385-01	Knob reverse feed
41 15 128-01	Cam set	41 15 386-01	Knob thread tension device
41 15 140-01	Bulb, 1 0 W, 220 V	41 15 388-01	Index disk
41 15 140-02	Bulb, 1 10 V	41 15 388-01	Index disk
41 15 141-01	Clamp	41 15 389-01	Cover
41 15 144-01	Cam guide	41 15 389-01	Cover
41 15 153-01	Spring	41 15 390-03	Handwheel, compl.
41 15 156-01	Stitch regulator fork, compl.	41 15 394-01	Holder, compl.
41 15 158-01	Glide plate	41 15 403-01	Belt tension device, compl.
41 15 164-01	Crank	41 15 436-01	Thread take up lever, compl.
41 15 165-01	Bearing	41 15 438-01	Guide arm
41 15 166-01	Clamp	41 15 439-01	Washer
41 15 170-01	Leverarm with shaft	41 15 440-01	Guide, compl.
41 15 172-01	Clamp	41 15 442-01	Shaft, guide
41 15 173-01	Feed dog	41 15 443-01	Link
41 15 174-02	Rocker, compl.	41 15 444-01	Spring, guide
41 15 175-01	Feed dog, compl.	41 15 445-01	Clamp, guide, compl.

Number	Denomination
41 15 450-01	Spring ad,
41 15 451-01	Mounting
41 15 457-01	Cam folio
41 15 459-01	Shaft
41 15 460-01	Spring, lifting arm
41 15 462-01	Lifting arm
41 15 463-01	Draw bar
41 15 490-01	Washer
41 15 490-01	Washer
41 15 519-01	Washer
41 15 519-02	Washer
41 16 104-01	Cord device FR 630 Australia
41 16 114-01	Eccentric stop
41 16 115-01	Screw
41 16 124-01	Screw wheel
41 16 138-01	Main gear
41 16 139-01	Hub, knob, stitchpattern mech.
41 16 140-01	Knob, stitchpattern. mechanism
41 16 141-01	Washer, knob, stitchpatternmechanism
41 16 143-01	Worm screw
41 16 144-01	Screw wheel, compl.
41 16 152-01	Cover plate
41 16 154-01	Spool pin
41 16 156-01	Spring hook
41 16 157-01	Spring
41 16 158-01	Cover case, compl.
41 16 161-01	Handle
41 16 162-01	Cover
41 16 163-03	Bottom plate
41 16 164-01	Bottom plate, compl.
41 16 165-01	Screw
41 16 168-01	Mounting plate, compl.
41 16 169-01	Mounting plate
41 16 170-01	Thread tension washer, right
41 16 171-01	Thread tension washer, plane
41 16 172-01	Thread tension washer, left
41 16 173-01	Extension table, compl.
41 16 178-01	Spring
41 16 180-01	Cover plate, upper arm, compl. Husqvarna
41 16 180-04	Cover plate, upper arm, compl. Viking
41 16 182-01	Double thread guide
41 16 183-01	Screw
41 16 184-01	Terminal board
41 16 186-01	Thread tension device, compl.
41 16 190-03	Arm, compl. white
41 16 190-04	Arm, compl. Viking, white
41 16 196-01	Adjustment knob
41 16 197-01	Screw
41 16 198-01	Nut
41 16 199-01	Steering pin
41 16 200-01	Adjustment arm
41 16 203-01	Thread guide, lower
41 16 204-01	Spring
41 16 215-01	Stitch pattern panel, compl.
41 16 227-01	Screw
41 16 238-01	Spring
41 16 241-01	Spring washer
41 16 244-01	Cord device, FR 625, New Zealand
41 16 245-01	Cord device, FR 620, England
41 16 276-01	Sewing frame
41 16 277-01	Ball pivot
41 16 278-01	Needle bar frame,