

PFAFF

performance

2054

2056

2058

german engineering

Ersatzteile-Liste

List of spare parts

Liste des pièces détachées

Catalogo pezzi staccati

Lista de piezas de repuesto

Nicht nummerierte Teile im Katalog werden nicht geliefert.

The parts mentioned without number in the parts list are not available.

Les pièces qui ne sont pas numérotées dans la liste de pièces détachées ne peuvent être livrées.

Pezzi non catalogati non sono disponibili.

Las piezas de repuesto sin número en esta lista no se entregarán.

Bei Bestellung von Ersatzteilen muss die Modell-Nr. der Maschine, die Seitenzahl des Kataloges und die Teilenummer angegeben werden.

Die Verschleißteile-Nummern sind in der Teileliste unterstrichen.

When ordering spare parts, please state the model number, the page number in the catalogue of spare parts and the number of the parts called for.

The wear and tear part numbers are underlined in the parts list.

Prière d'indiquer dans vos commandes de pièces de rechange, le numéro de la machine, le numéro de la page dans la liste des pièces détachées, ainsi que les numéros des pièces commandées.

Les numéros de pièces d'usure sont imprimés soulignés dans la liste des pièces.

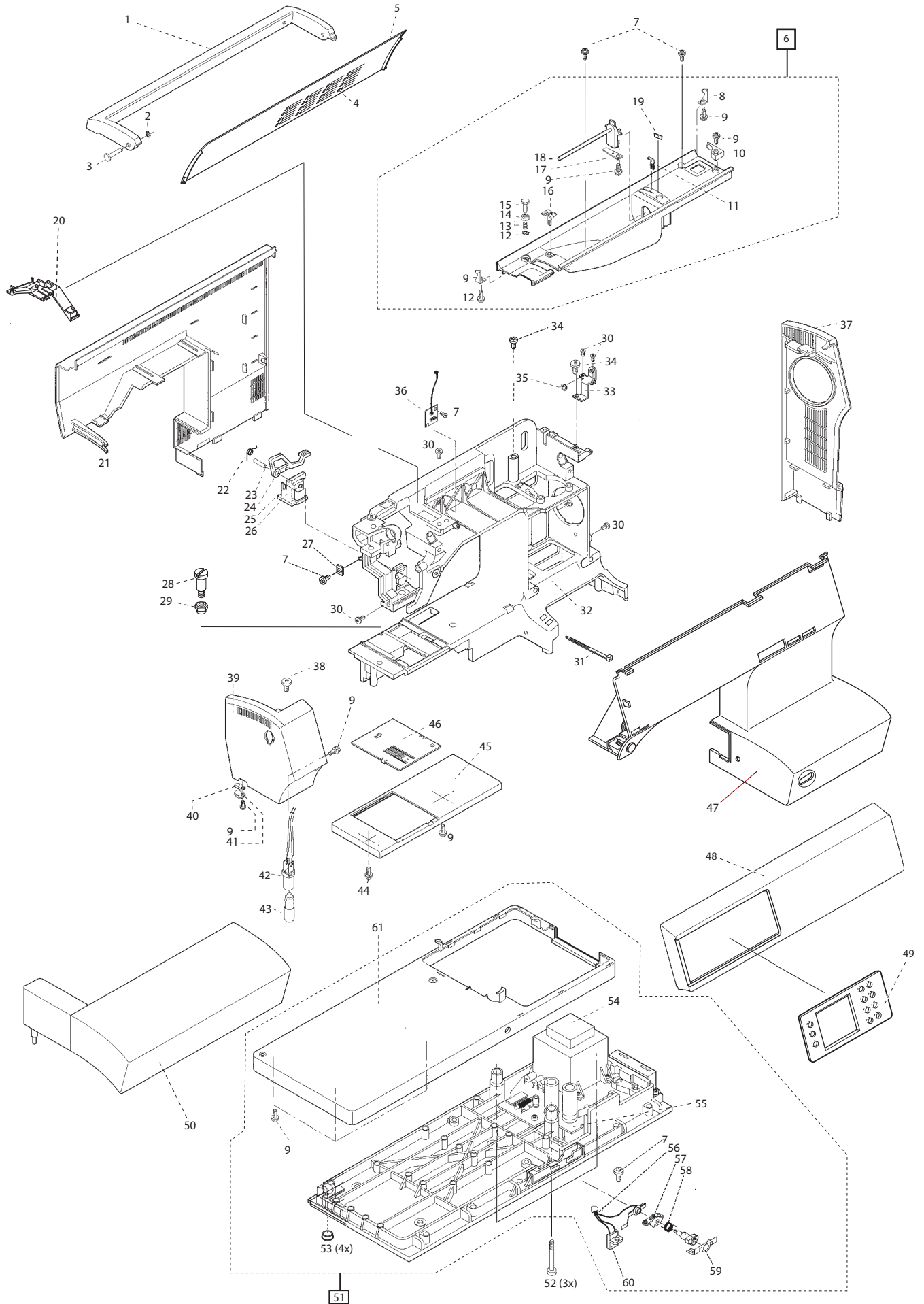
La richiesta dei pezzi di ricambio deve contenere il modello della macchina, la pagina del catalogo e il codice del pezzo.

I codini dei pezzi d'usura sono quelli sottolineati nel catalogo.

Al pedir piezas, sírvanse de indicar el número del modelo de la máquina, la página de la lista de piezas de repuestos y el número de la pieza deseada.

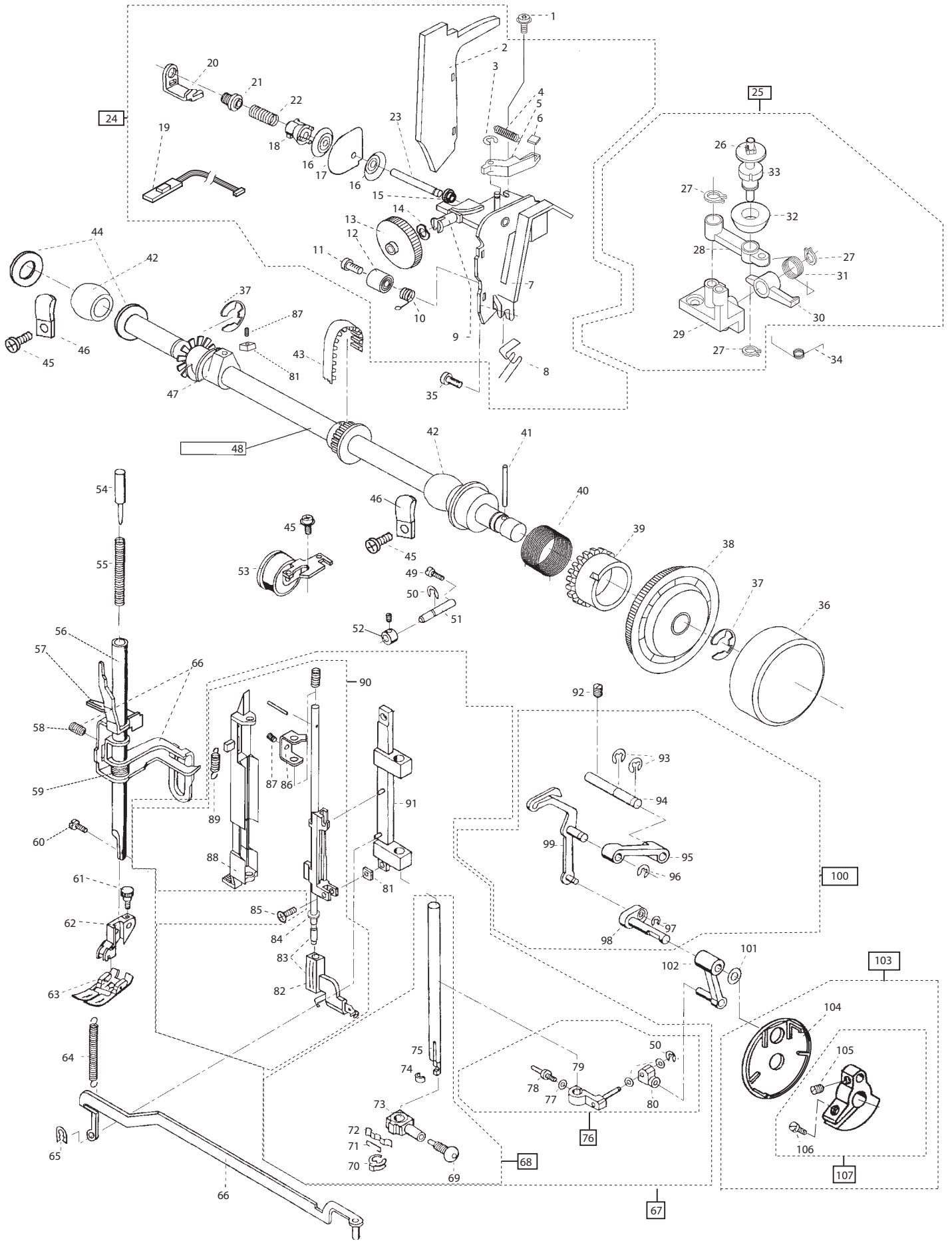
Los números de las piezas de desgaste están subrayadas en la lista.

A



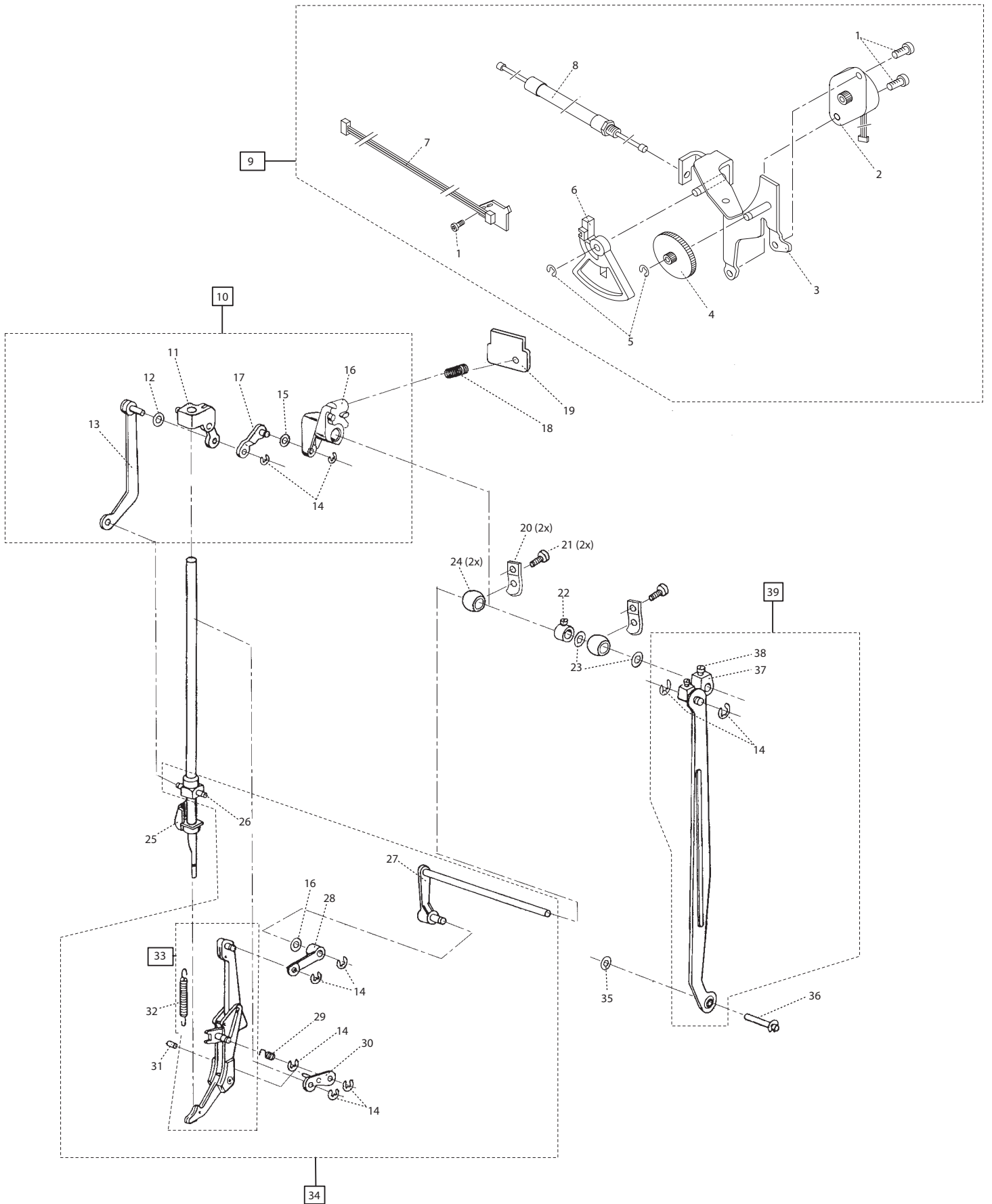
1	412864601	HANDLE (2056)	58	9303912305000	TORSION SPRING	A
2	735310620	LOCK WASHER 2.3	59	9303912555000	SUPPORT ANGLE	
3	9303506615000	SAFETY BOLT	60	9233028505000	BRACKET (RESISTOR PLATE)	
4	412865301	STITCH OVERVIEW (2056)	61	9303803970000	COVER (FOR BASE PLATE)	
	412865302	STITCH OVERVIEW (2058)				
5	412865201	TOP LID CPL. (2056)				
	412865202	TOP LID CPL. (2058)				
6	9303805091000	HOUSING INSERT CPL.(2054)				
	412865701	HOUSING INSERT CPL. (2056)				
	412865702	HOUSING INSERT CPL. (2058)				
7	1172217255000	SCREW PN 11722 M4*8				
8	9303805405000	PLATE RIGHT				
9	9303311855000	SCREW 3*8				
10	9303805344000	STOP				
11	9303305725000	THREAD GUIDE				
12	9303805505000	PLATE LEFT				
13	1261814045000	RING PN 12618-3,5				
14	9304006005000	SPRING				
15	9303205025000	THREAD GUIDE				
16	9303017435000	THREAD GUIDE PIN				
17	9303305405000	SPRING				
18	9303305244000	SPOOL PIN				
19	412423701	THREAD CUTTER				
20	9232998991000	CABLE GUIDE				
21	9303836143000	REAR COVER PRINTED				
22	412693501	TORSION SPRING				
23	9303814005000	BOLT (FOR FOOT LIFTER)				
24	9303913044000	LEVER				
25	9303814345000	RECEIVER UPPER PART				
26	9303814245000	RECEIVER LOWER PART				
27	9303833605000	CLAMPING PLATE				
28	9303508815000	SCREW, EXCENTRIC				
29	1200000155000	NUT ISO 10511 M3				
30	9303808455000	SHOULDER SCREW				
31	412619701	WIRE TIES				
32	9303800291000	HOUSING WITH BUSH CPL.				
33	9303806655000	BRACKET				
34	1172222355002	SCREW PN 11722 M5*10				
35	9303311345000	SLEEVE				
36	9303849491000	PCB IMPULSER CPL. DOUBLE				
37	9303808543000	MOTOR COVER				
38	1119090515004	SCREW D7985-M5*10-Z1				
39	9303804443000	HEAD COVER PRINTED				
40	9303227205000	KNIFE				
41	9303227325000	KNIFE COVER				
42	412919601	SEWING LAMP CPL.				
43	9232997505000	BAYONET LAMP				
44	9303733855000	SCREW				
45	9303803543000	FREE ARM COVER				
46	9303991035000	NEEDLE PLATE				
47	9303845043000	FRONT CASE				
48	412865501	FRONT PANEL CPL. PRINTED (2054,2056)				
	412865502	FRONT PANEL CPL.PRINTED (2058)				
49	9303854843000	CONTROL PANEL FRAME PRINTED (2054)				
	412865401	CONTROL PANEL CPL. PRINTED (2056)				
	413118801	CONTROL PANEL CPL. PRINTED (2058)				
50	9303807591000	ACCESSORY BOX CPL.				
51	9303848991000	BOTTOM COVER, ASSEMBLED				
52	9303804255000	SCREW				
53	9304112245000	FOOT				
54	9303850391000	TRANSFORMER				
55	9303849191000	PCB POWER SUPPLY, ASSEMBLED				
56	9233028991000	KNEE LEVER LEADING				
57	9303912245000	BEARING BOCK				

B



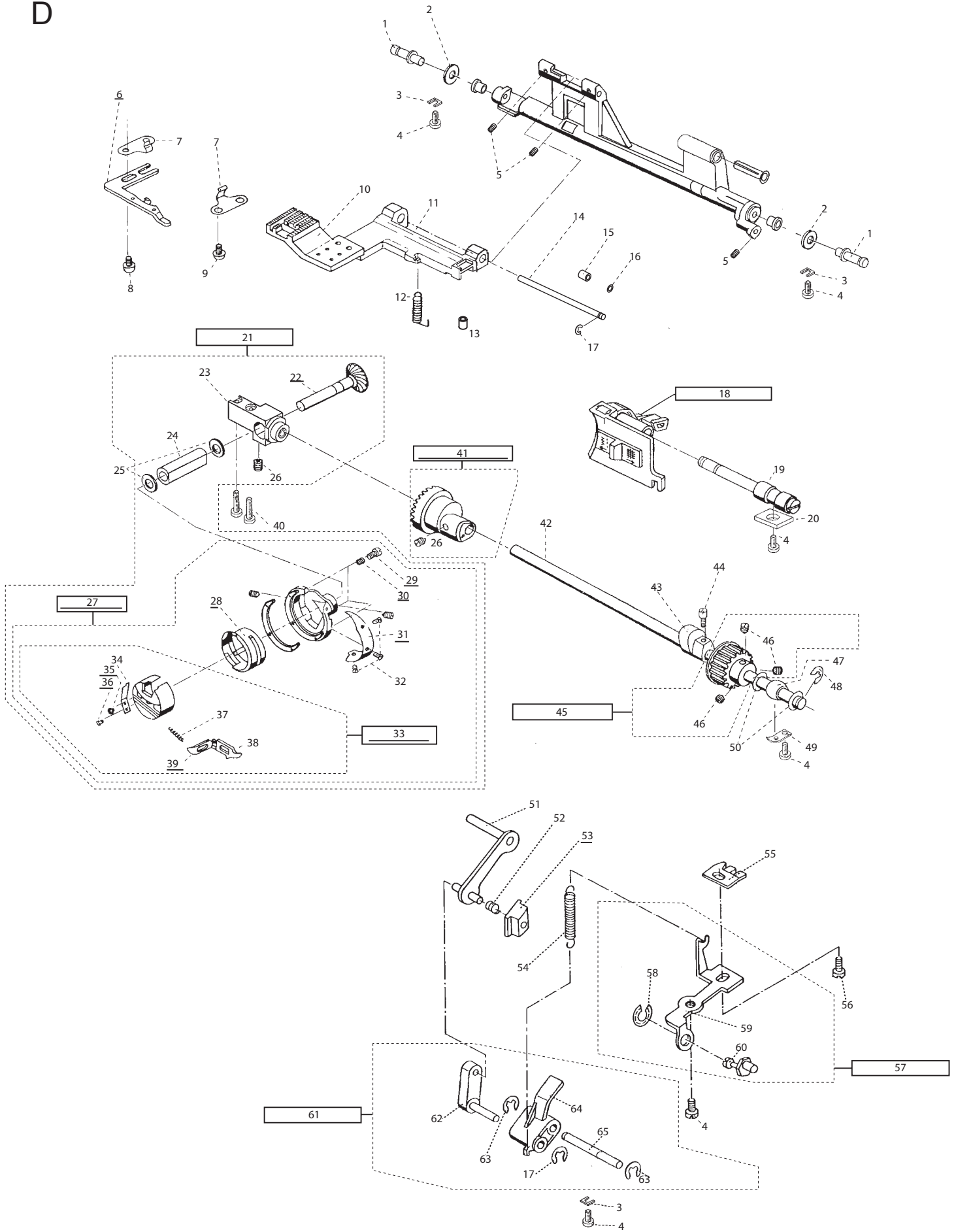
1	1172217225900	SCREW PN 11722 M4*8 WITH WASHER	65	9304018415000	BENZING CLIP U93	B
2	9303825143000	CAP	66	9303814791000	GUIDE CPL.	
3	1261812045000	LOCKING WASHER PN 12618-3	67	9303816691000	PENDEL CPL. W. NEEDLE THREADER &-BAR	
4	9233015205000	TENSION SPRING				
5	9233015745000	TENSION RELEASE LEVER	68	9303670171000	NEEDLE BAR CPL.	
6	9232419405000	MAGNET	69	9303412915000	NEEDLE FASTENING SCREW	
7	9303825344000	BRACKET	70	9303413015000	NEEDLE HOLDER CLIP	
8	9303754505000	THREAD GUIDE, THREAD TENSION	71	9303413305000	THREAD RETAINER	
9	9303358045000	BEARING FOR TENSION DIAL	72	9303413125000	THREAD GUIDE	
10	9303558705000	CHECK SPRING	73	9303412715000	NEEDLE HOLDER	
11	1172324455000	SCREW PN 11723 CE M3*12	74	9303412805000	TRANSMITTING PIECE	
12	9303558645000	BUFFER SLEEVE	75	9303412605000	NEEDLE BAR	
13	9303825444000	DIAL PLATE PRINTED	76	9303615091000	CROSS HEAD CPL.	
14	1237000205000	TENSION KNOB WASHER 1471	77	9303615515000	THRUST WASHER	
15	9303754345000	BEARING	78	9303615215000	CLAMPING BOLT TO CROSS HEAD	
16	9303658225000	THREAD TENSION DISK, OUTER	79	9303515505000	BUFFER DISK	
17	9303758305000	THREAD TENSION DISK, MIDDLE	80	9303515105000	JOINT PIECE, FINISHED PART	
18	9303557745000	PRESSURE TRANSMITTER	81	1209090105000	NUT M3 DIN 562	
19	9303826191000	SDL SENSOR PCB CPL.	82	9303818091000	NEEDLE THREADER HOLDER	
20	9303557515000	BRACKET, THREAD TENSION	83	9303816791000	NEEDLE THREADER HOLDER CPL. WITH AXLE	
21	9303557615000	BUSHING				
22	9303758105000	COMPRESSION SPRING	84	9303634845000	BUFFER DISK	
23	9303757405000	SHAFT, THREAD TENSION	85	9303610915000	RAISED CHEESE HEAD SCREW	
24	9303826091000	THREAD TENSION CPL.	86	N/S	BUFFER	
25	9303813091000	HOLDER CPL. BOBBIN WINDING	87	1133008515000	SET SCREW DIN 913 M3*4	
26	1305298615000	TIGHTENING PIN ISO 8750 1*5	88	9303817045000	NEEDLE THREADER KEY	
27	1261819045000	GRIP RING PN 126186	89	9303616605000	COMPRESSION SPRING	
28	9303813205000	BOBBIN JOINT	90	9303816591000	NEEDLE THREADER CPL.	
29	9303813105000	BOBBIN BASE	91	9303614691000	PENDULUM CPL.(FOR THE NEEDLE BAR)	
30	9303813405000	LATCH	92	1131722325000	SET SCREW ISO 4766 M5*10	
31	9303813505000	TORSION SPRING	93	1264017055000	SCREW DIN 67995	
32	9310181505000	FRICITION RING, BOBBIN WINDING	94	9303514105000	BOLT	
33	412877101	BOBBIN WINDER	95	9303514045000	FLOATING LEVER	
34	9303813605000	TORSION SPRING	96	1264015055000	SHB DIN 67994	
35	1172217255000	SCREW PN 11722 M4*8	97	735310620	LOCK WASHER 2.3	
36	9303812944000	HAND WHEEL	98	9303513791000	CRANK BOLT CPL.	
37	1264021055000	RETAINING WASHER DIN 67998	99	9303613291000	TAKE UP LEVER CPL.	
38	9303812291000	BELT PULLEY	100	9303810291000	THREAD TAKE UP LEVER WITH ROCKING ARM	
39	9303811145000	SLEEVE				
40	9303811405000	TORSION SPRING	101	9303512805000	THRUST WASHER	
41	9303910905000	GROOVED PIN 3*24	102	9303512991000	CONNECTING ROD CPL.	
42	9303811305000	CAP BEARING	103	9303811591000	CRANK WITH FEED LIFTING	
43	9303810405000	TOOT HED BELT	104	9303620445000	FEED LIFTING	
44	9303811805000	THRUST WASHER	105	1131593305000	SET SCREW PH 11315B M6*0,75*5	
45	1172222355002	SCREW PN 11722 M5*10	106	N/S	SCREW PN 11726-M5*16	
46	9303810105000	CLAMP STRAP	107	9303811691000	CRANK CPL.	
47	9232998845000	CONTROL CAM				
48	9303810691000	ARM SHAFT WITH CROWN WHEEL				
49	N/S	SCREW N11193-B M3*7 AO2				
50	1264013055000	WASHER DIN 67993,2				
51	9303518505000	PIN				
52	9303518611000	COLLAR CPL.				
53	9304020715000	PIN				
54	9304020605000	COMPRESSION SPRING				
55	9303619505000	PRESSER BAR				
56	N/S	LEVER CPL.				
57	9303656291000	PRESSURE BAR GUIDE CPL.				
58	1131591705000	SET SCREW PH 11315B M6X0, 75*6				
59	9303519905000	COMPRESSION SPRING				
60	9303619615000	SCREW				
61	9869488900000	SCREW				
62	9869488600000	SEWING FOOT HOLDER CPL.				
63	820773096	STANDARD PRESSER FOOT W. IDT				
64	9304065405000	COMPRESSION SPRING				

C



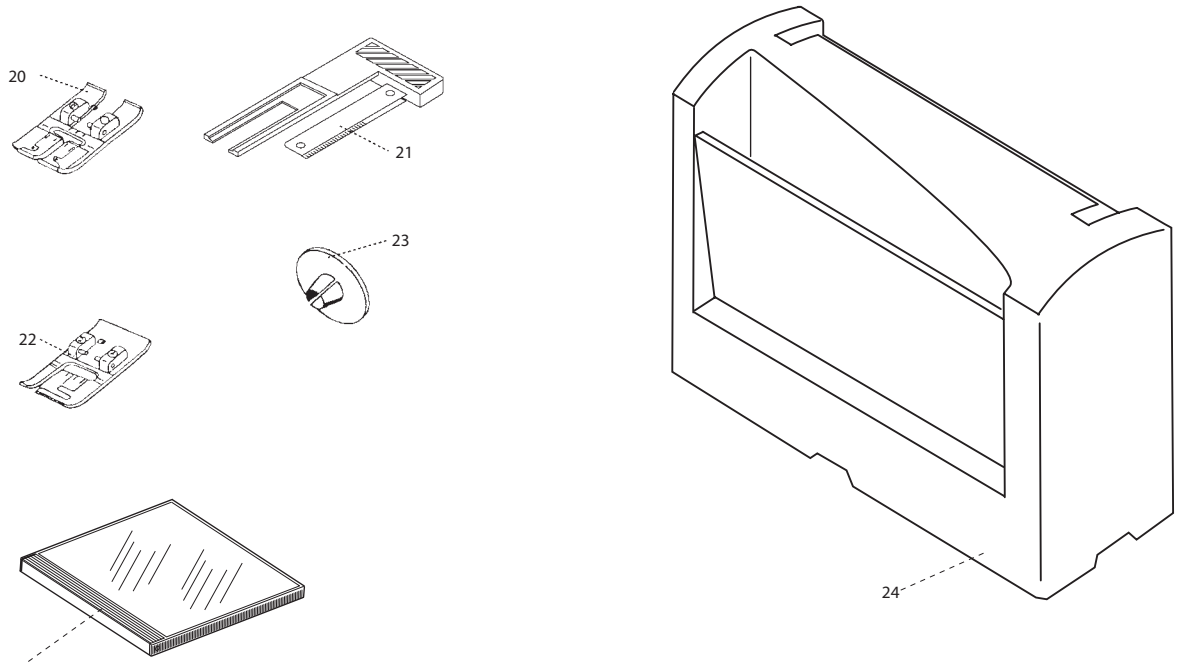
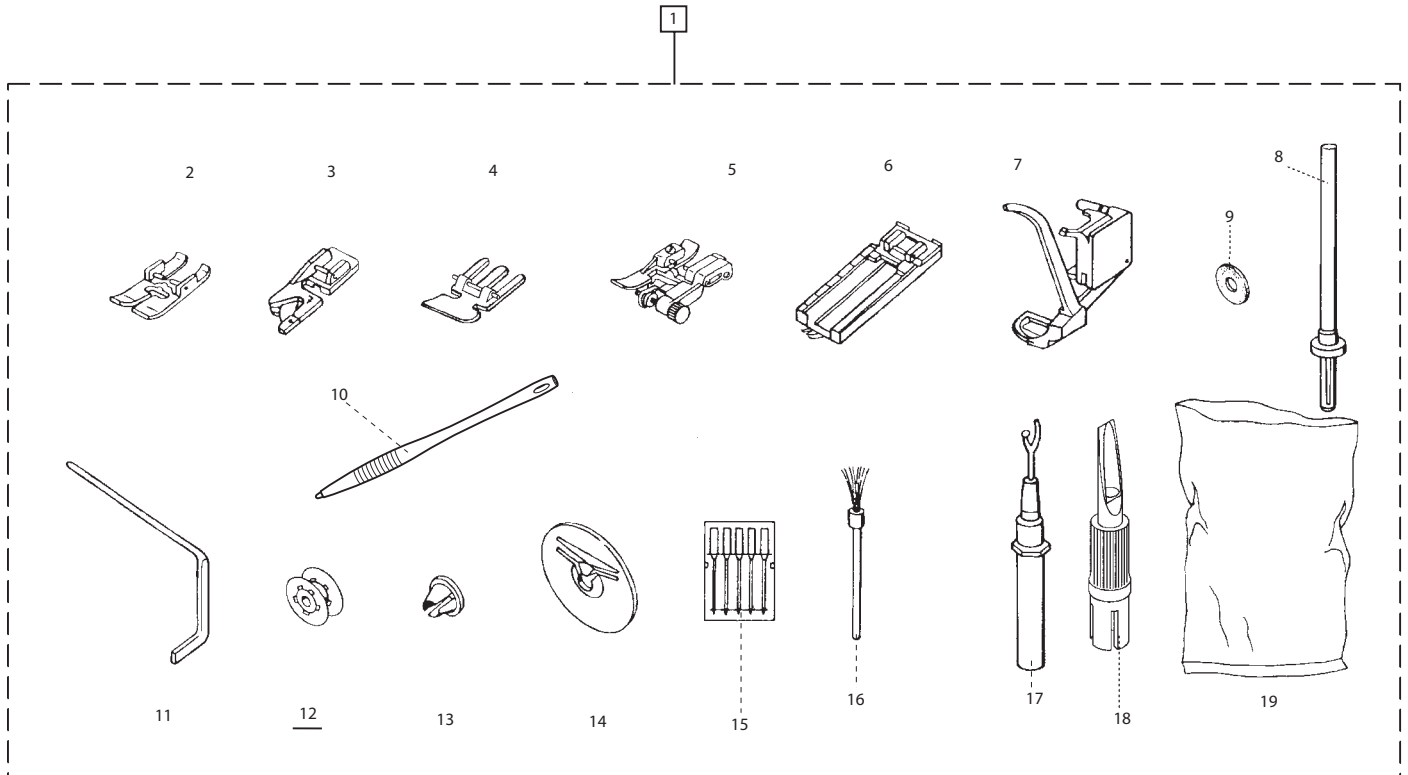
1	1172321355000	SCREW PN 11723C M3*6
2	9233027691001	STEP MOTOR WITH PINION
3	9303805691000	BRACKET CPL.
4	9303811405000	TORSION SPRING
5	1264007055000	SHB DIN 67991,9
6	9233020891000	TOOTH ROCKING ARM WITH MAGNET
7	9303842191000	LP BEST. SD
8	9303911791000	PRESSER FOOT DRAW CPL.
9	9303842091001	SD STEPPER MOTOR CPL.
10	9303620591000	LIFTING GEAR CPL.
11	9303627591000	BEARING CPL.
12	1236900105000	SCH. 4,6*6, 7PH 12369
13	N/S	
14	1264013055000	WASHER DIN 67993,2
15	9303634845000	BUFFER DISK
16	9303621291000	FLOATING LEVER CPL.
17	9303620601000	CONNECTING ROD CPL.
18	9303620905000	COMPRESSION SPRING
19	9303813715000	PLATE
20	9303831105000	CLAMP STRAP
21	1172217255000	SCREW PN 11722 M4*8
22	9303629791000	COLLAR CPL.
23	9303530605000	BUFFER DISK
24	9303831405000	CUP BEARING
25	9303625891000	GUIDE CPL.
26	9303625705000	CROSS HEAD
27	9303622791000	SHEAR SHAFT WITH CRANK
28	9303622505000	LINK
29	9303624405000	TORSION SPRING
30	9303624991000	JOINT CPL.
31	9303625345000	HOSE
32	9303624015000	TENSION SPRING
33	9303623091000	TOP FEED LEVER WITH FOOT CPL.
34	9303621791000	SHEAR GEAR CPL.
35	9303634745000	DISTANCE WASHER
36	9304029491000	BOLT CPL.
37	N/S	PAN HEAD SCREW WITH CRANK
38	1119390205000	SCREW AM4*5,5 N11193
39	9303628591000	CONNECTING ROD CPL. WITH CRANK

D



1	9303944205000	BEARING BOLT	65	9303834905000	BEARING BOLT
2	9303515505000	BUFFER DISK			
3	9303833605000	CLAMPING PLATE			
4	1172217855002	SCREW PN 11722 M4*12			
5	411968703	SET SCREW FLAT, TORX			
6	9303531491000	BOBBIN CASE POSITION FINGER			
7	9303508715000	PLATE SPRING			
8	1172217255000	SCREW PN 11722 M4*8			
9	1172143255002	SCHR. D7500-BE M4*6			
10	9303945091000	FEEDER CPL.			
11	9303834291000	FEED BAR BRACKET WITH BUSHES CPL.			
12	9303534705000	COMPRESSION SPRING			
13	9303833745000	BUSH			
14	9303645305000	SHAFT			
15	9303518611000	COLLAR CPL.			
16	9303634845000	BUFFER DISK			
17	1264013055000	WASHER DIN 67993,2			
18	9303832091000	LIFTING LEVER CPL.			
19	9303632305000	EXZENTERPIN			
20	9303263305000	WASHER			
21	N/S	HOOK BEARING CPL.			
22	9303530491000	BEVEL WHEEL, DRIVEN			
23	N/S	HOOK BEARING BRACKET			
24	9303830505000	BEARING BUSHING			
25	9303530605000	BUFFER DISK			
26	1131593305000	SET SCREW PH 11315B M6*0,75*5			
27	412747003	HOOK CPL			
28	412748001	BOBBIN CASE BASKET CPL			
29	412747701	SCREW HOOK CLAMP			
30	412747601	SPRING HOOK CLAMP			
31	412747501	CURVE THREAD GUIDE			
32	N/S	SCREW CURVE THREAD GUIDE			
33	412748401	BOBBIN CASE CPL.			
34	412748601	SPRING THREAD TENSION 0,25 MM			
35	412749001	SCREW BOBBIN CASE			
36	412749101	SET SCREW			
37	412748901	SPRING LATCH			
38	N/S	LATCH BOBBIN CASE			
39	N/S	LEVER BOBBIN CASE			
40	1172350355002	SCREW PN 11723-C-M 4*20			
41	9303922591000	BEVEL GEAR, DRIVING			
42	9303831205000	HOOK DRIVE SHAFT			
43	9303638245000	SLIDING ECCENTRIC CAM			
44	9303638105000	TRUNNION SCREW			
45	9303711891000	STUDDER DISK BELOW			
46	1131593005000	SET SCREW PH 11315 BM6X0,75*3,5			
47	9303831405000	CUP BEARING			
48	1264019055000	SHB DIN 67996			
49	9303831105000	CLAMP STRAP			
50	9303831305000	THRUST WASHER			
51	9303634991000	CONNECTING ROD CPL.			
52	9303635405000	HELICAL COMPRESSION SPRING			
53	9303835945000	SLIDING BLOCK			
54	9303636005000	TENSION SPRING			
55	9303636105000	CLAMP SPRING			
56	1172222355002	SCREW PN 11722 M5*10			
57	9303636291000	ANGULAR BRACKET CPL.			
58	N/S	SHB PH 12630-4			
59	N/S	ANGLE			
60	9303636405000	SETTING ECCENTRIC			
61	9303834891000	CAM LEVER CPL.			
62	9303635891000	GUIDE CPL.			
63	1264015055000	SHB DIN 67994			
64	9303635645000	CAM LEVER			

E

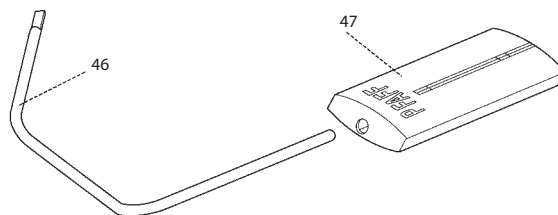


2056 Instruction CD

- 25 schwedisch / Swedish
- 26 dänisch / Danish
- 27 finnisch / Finnish
- 28 englisch / English
- 29 französisch / French
- 30 holländisch / Dutch
- 31 italienisch / Italian
- 32 deutsch / German

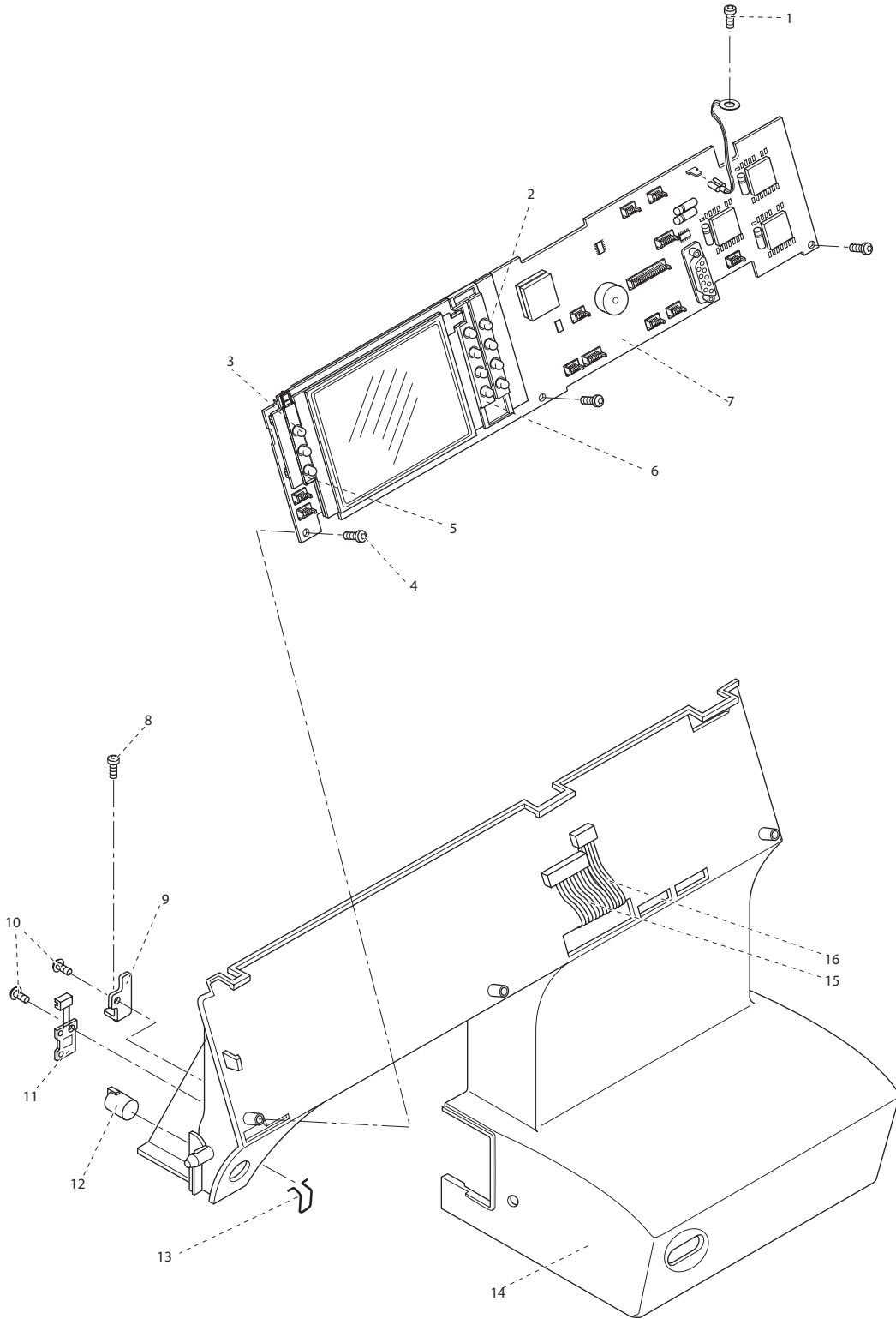
2058 Operating Manual

- 33 Swedish
- 34 Danish
- 35 Fin
- 36 Norw
- 37 Eng
- 38 Fra
- 39 Holl
- 40 Ita
- 41 Spa
- 42 Ger
- 43 Russ
- 44 Port
- 45 Turk



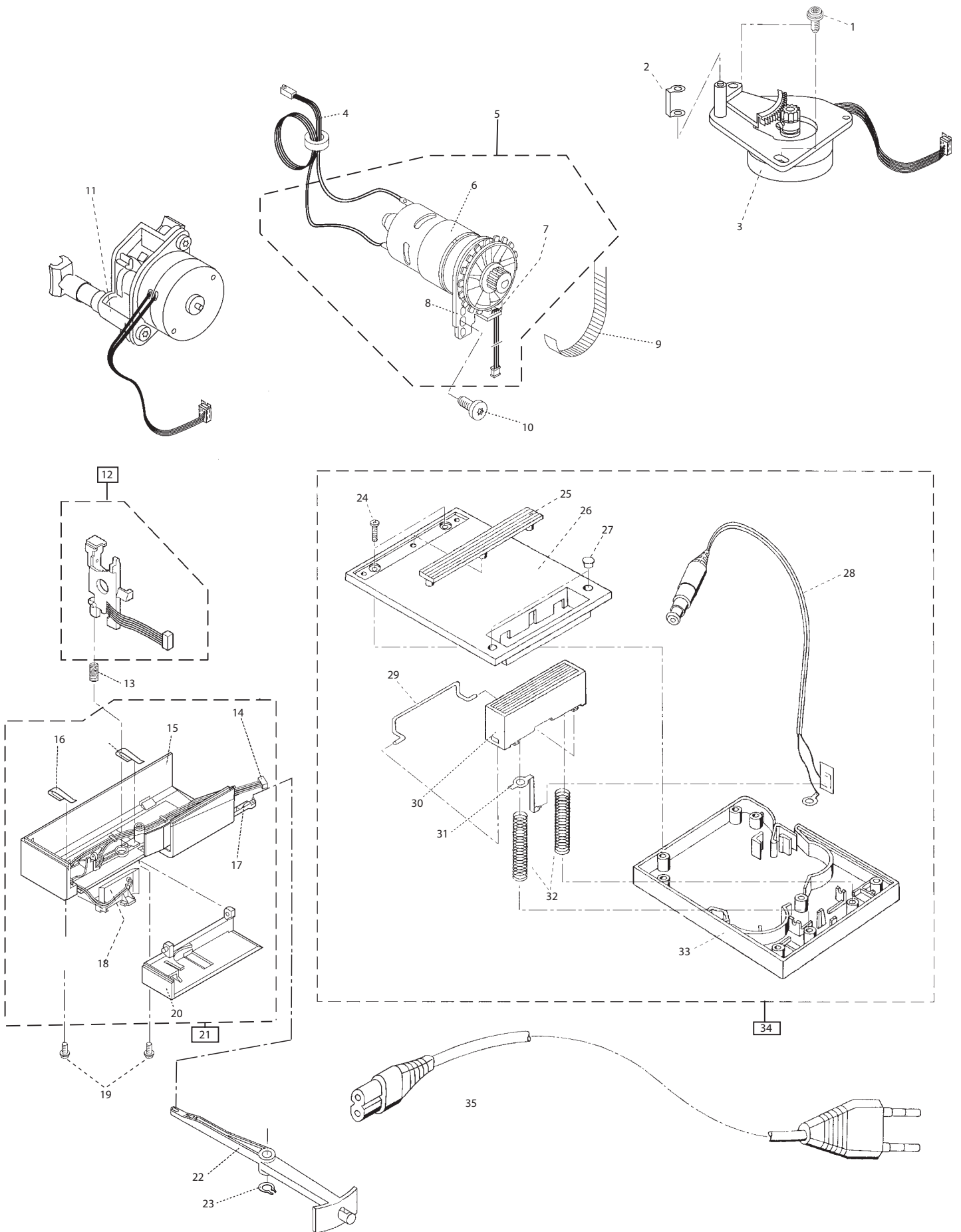
1	N/S	STANDARD ACCESS. CPL.
2	820774096	FANCY STITCH FOOT W. IDT
3	820249096	ROLLED HEM FOOT 3MM
4	820248096	ZIPPER FOOT W. IDT
5	820256096	BLIND HEM/OVERLOCK FOOT W. IDT
6	N/S	BUTTON HOLE FOOT
7	820243096	DARNING FOOT
8	9303306344000	SPOOL PIN
9	9303306405000	FELT WASHER
10	412693401	STYLUS, BLACK
11	820251096	EDGE GUIDE/QUILTING GUIDE
12	820779096	BOBBINS 10-P PFAFF BLUE
13	9303604844000	THREAD GUIDE WASHER
14	9303604944000	THREAD GUIDE WASHER
15	N/S	NEEDLE BOX 5 NEEDLES
16	401555501	BRUSH
17	401539901	SEAM RIPPER
18	820292096	LAMP CHANGER CPL.
19	N/S	PLASTIC BAG
20	820773096	STANDARD PRESSER FOOT W. IDT
21	N/S	BUTTON HOLE GUIDE
22	413060501	FANCY STITCH FOOT 2A CPL
23	9303505044000	SPOOL HOLDER
24	9303910191000	COVER CPL.
25	N/S	INSTRUCTION-CD 2054 SWEDISH
26	412765806	INSTRUCTION CD 2054,2056 DANISH
27	N/S	INSTRUCTION-CD 2054 FINISH
28	412765826	INSTRUCTION CD 2054,2056 ENGLISH
29	N/S	INSTRUCTION-CD 2054 FRENCH
30	412765836	INSTRUCTION CD 2054,2056 DUTCH
31	412765841	INSTRUCTION CD 2054,2056 ITALIAN
32	412765851	INSTRUCTION CD 2054,2056 GERMAN
33	413116601	USER'S GUIDE 2058 SWE
34	413116606	USER'S GUIDE 2058 DA
35	413116611	USER'S GUIDE 2058 FI
36	413116621	USER'S GUIDE 2058 NO
37	413116626	USER'S GUIDE 2058 ENG
38	413116631	USER'S GUIDE 2058 FR
39	413116636	USER'S GUIDE 2058 DU
40	413116641	USER'S GUIDE 2058 IT
41	413116646	USER'S GUIDE 2058 SP
42	413116651	USER'S GUIDE 2058 DE
43	413116656	USER'S GUIDE 2058 RU
44	N/S	USER'S GUIDE 2058 POR
45	413116676	USER'S GUIDE 2058 TU
46	9303912691000	KNEE LEVER
47	9303912944000	END PART, KNEE LIFT

F



1	1172222355002	SCREW PN 11722 M5*10
2	9303846905000	KEY PAD RIGHT
3	9303847005000	KEY PAD LEFT
4	411966820(3X)	SCREW 30*10 FZB KOMBITORX
5	9303847543000	HOLDER FRAME LEFT
6	9303847443000	HOLDER FRAME RIGHT
7	413036545	PCB CONTROL CPL.
8	1172321355000	SCREW PN 11723-C M3*6
9	9303759005000	SUPPORTING BRACKET
10	9303311855000	SCREW 3*8
11	9232987991000	PRINTED CIRCUIT CPL.
12	9232987745000	REVERSE FEED CONTROL PRINTED
13	9303758805000	THREAD GUIDE FRAME
14	9303845043000	FRONT CASE
15	9233010991000	RIBBON CABLE
16	9303849391000	CABLE CPL.

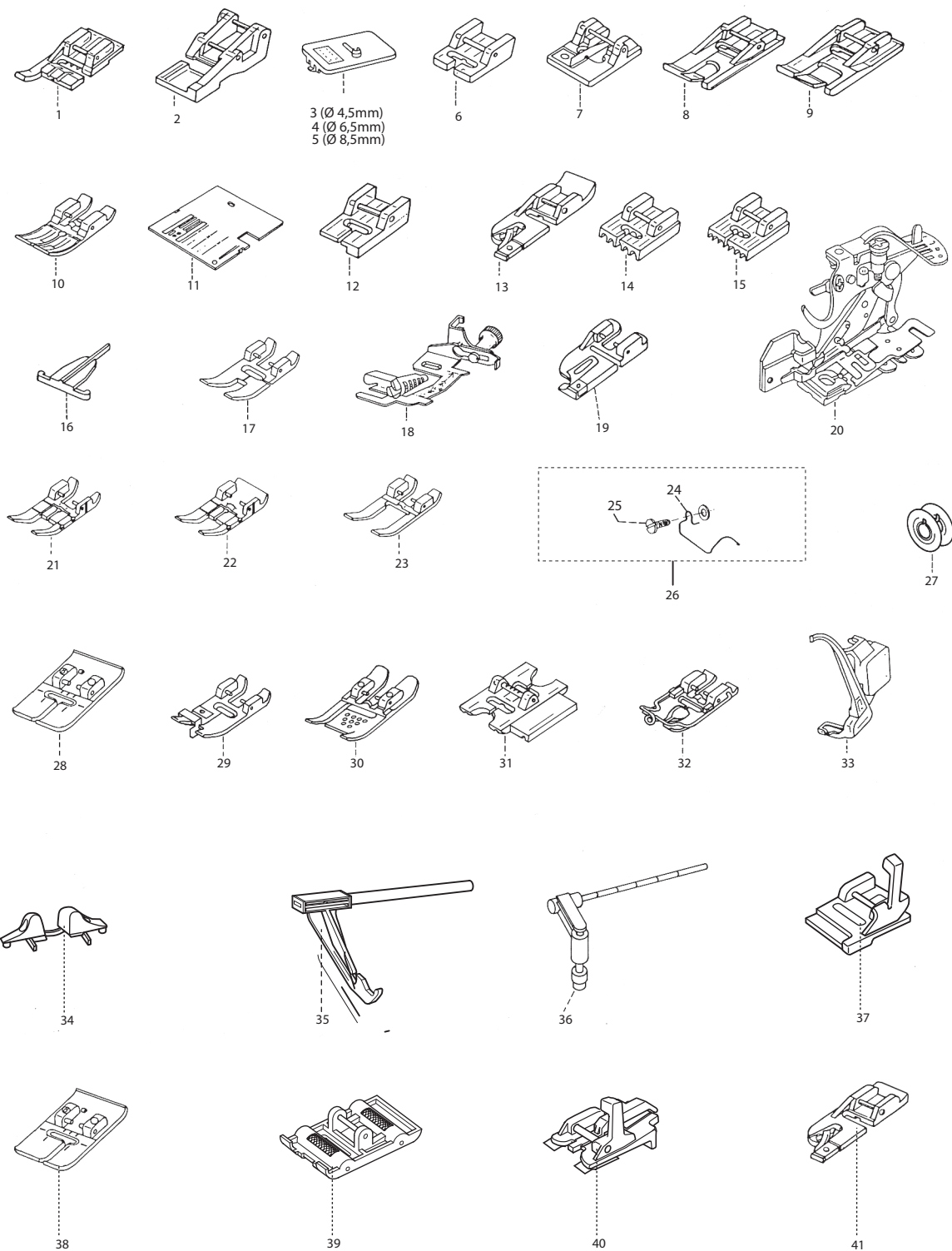
G



1	1172217855002	SCREW PN 11722 M4*12
2	9303814905000	FRAME SPRING
3	9233024491001	STEPP MOTOR CPL.ZZ
4	9233021391000	MOTOR CABLE
5	9303850691000	MOTOR CPL.
6	9233011191000	ENGINE DOMEL
7	9303848691000	PHOTO INTERRRUPTOR CPL.
8	N/S	MOTOR SUPPORT
9	9303910805000	TOOTHED BELT
10	1172222355002	SCREW PN 11722 M5*10
11	9232987591001	STEPPER MOTOR CPL.TR
12	9232898691000	LIGHT BARRIER HOLDER CPL.
13	9232899805000	HELICAL COMPRESSION SPRING
14	9233015391000	CABLE CPL. SOLDERED
15	9303803243000	FREE ARM COVER
16	9303503315000	HINGE SPRING
17	9303832445000	BED
18	9232898905000	DIODE BRACKET
19	1172217255000	SCREW PN 11722 M4*8
20	9303803143000	FREE ARM FLAP
21	9233015691000	FREE ARM COVER CPL.
22	9303832545000	LEVER
23	1261817045000	RING PN 12618-5
24	1172517525000	SCREW F3,5*13 N11725
25	9232245755000	ADHESIVE BAND
26	9232245275000	FOOT CONTROL COVER
27	9232246755000	MUSHROOM PLUG
28	9233027591000	FOOT CONTROL CABLE CPL.
29	9232245805000	GUIDE FRAME
30	N/S	PEDAL
31	9232246291000	CONTACT SPRING
32	9232488435000	COMPRESSION SPRING
33	413226501	FOOT CONTROL PF 21XX, W. WIND
34	413226501	FOOT CONTROL CPL, 2024-2124
35	412157903	NET CABLE 120V
	412158102	NET CABLE AU
	412157801	NET CABLE 220 V

H

Sonderzubehör, Special accessories, Accessoires spéciaux, Accessori fuori corredo, accesorios especiales



1	820666096	THREE GROOVE CORDING FOOT CPL.
2	N/S	SHIRRING FOOT, PLASTIC
3	820238096	EYELET PLATE 4,5MM CPL.
4	820237096	EYELET PLATE 6,5MM CPL.
5	820275096	EYELET PLATE 8,5MM
6	820214096	APPLIQUE FOOT CPL.
7	N/S	FRINGE PRESSER FOOT CPL.
8	N/S	FELLING FOOT 4,5MM
9	N/S	FELLING FOOT 6,5MM
10	N/S	STRAIGHT STITCH FOOT WRNH. CPL.
11	820247096	STRAIGHT STITCH NEEDLE PLATE
12	820790096	KNIT-EDGE/PIP/BEAD. FOOT CPL.
13	820220096	ROLLED HEM FOOT 2MM CPL.
14	820226096	FIVE GROOVE CORDING FOOT CPL.
15	N/S	SEVEN GROOVE CORDING FOOT CPL.
16	N/S	PINTUCK BLADE CPL
17	820664096	NON STICK FOOT W. IDT CPL.
18	820245096	BIAS BINDER
19	820221096	ROLLED HEM FOOT 4MM W.IDT CPL.
20	820255096	RUFFLER ATTACHMENT
21	820926096	1/4 INCH QUILTING FOOT WITH IDT
22	820212096	1/4 INCH QUILT FOOT CPL.
23	820213096	OPEN TOE APPLIQUÉ FOOT, 9MM CPL.
24	9303691185000	FINGER GUARD
25	9303691315000	SCREW
26	N/S	FINGER GUARD
27	N/S	BOBBIN, METAL 5 PCS
28	N/S	NON -STICK MAXI STITCH EMBR.FOOT
29	820609096	NARROW EDGE FOOT CPL.
30	820608096	7/9 HOLE CORD FOOT CPL.
31	820776096	PINTUCK FOOT W. GUIDE 9MM CPL.
32	820607096	BRAIDING FOOT CPL.
33	820544096	OPEN TOE FREE MOTION FOOT
34	N/S	BRIDGING GUIDE 3MM A,5MM CPL.
35	N/S	QUILTING GUIDE
36	820246096	CIRCULAR EMBROIDERY GUIDE
37	820668096	GATHERING FOOT METAL CPL.
38	820777096	NON STICK DECORATIVE STITCH FOOT CPL.
39	820663096	ROLLER FOOT CPL.
40	820473096	SEW ON BUTTON FOOT
41	820249096	ROLLED HEM FOOT 3MM

PFAFF