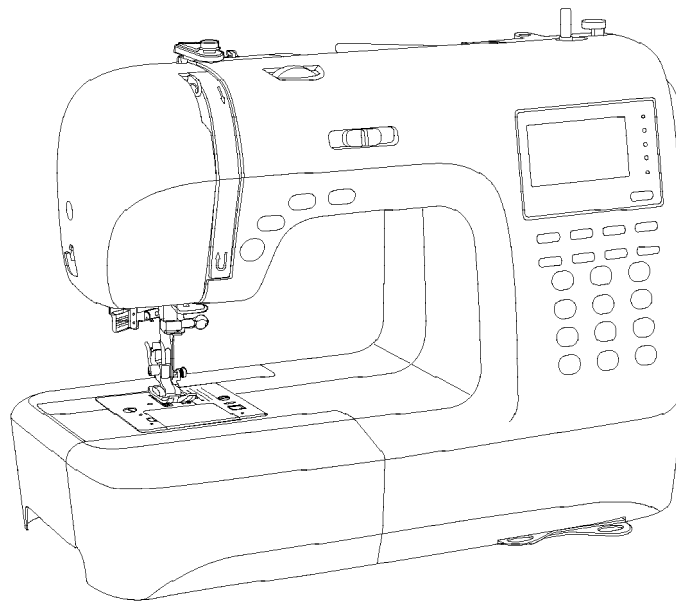




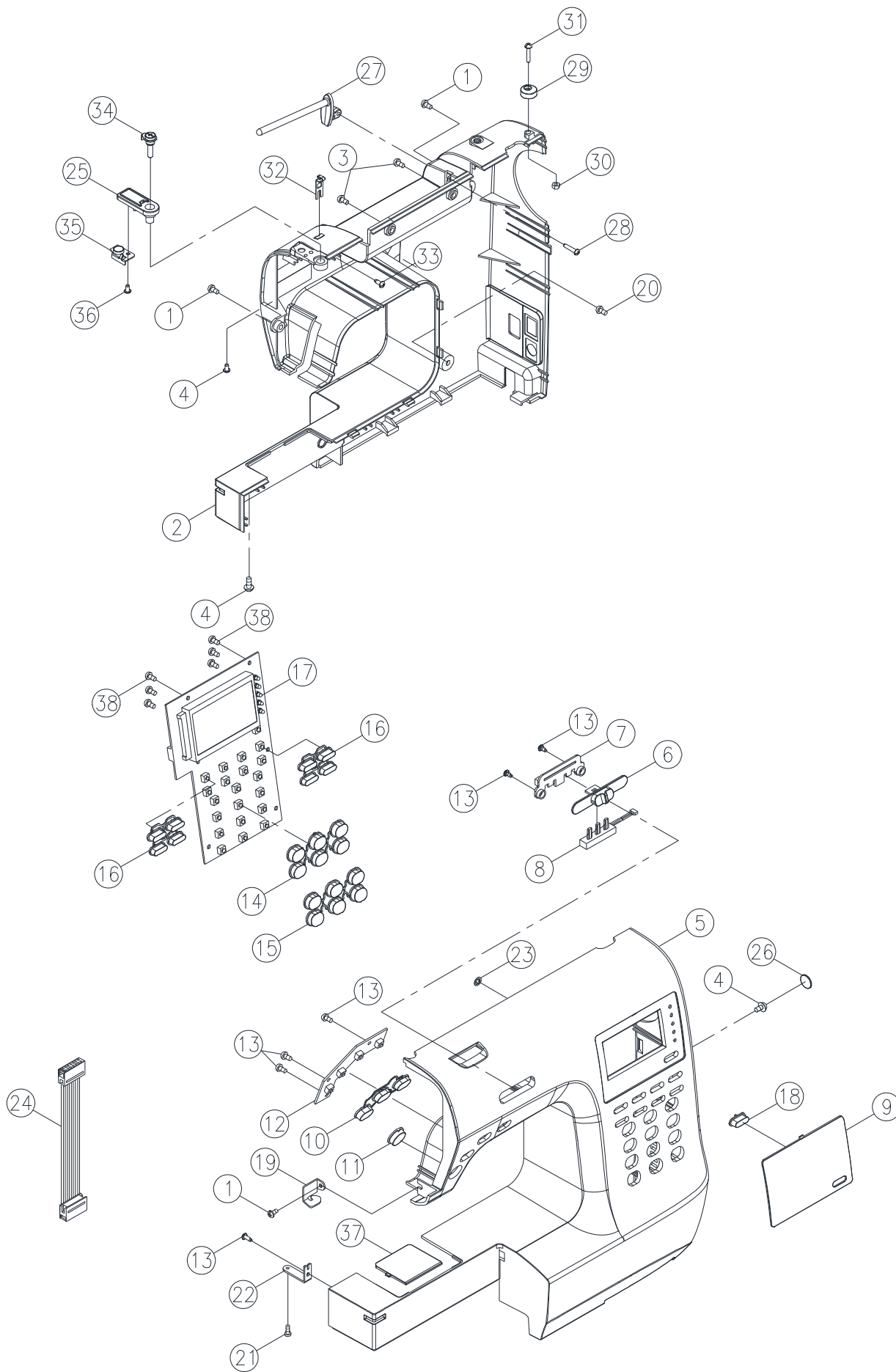
2010 - 9100



Liste de pièces
Lista de Piezas
Parts List

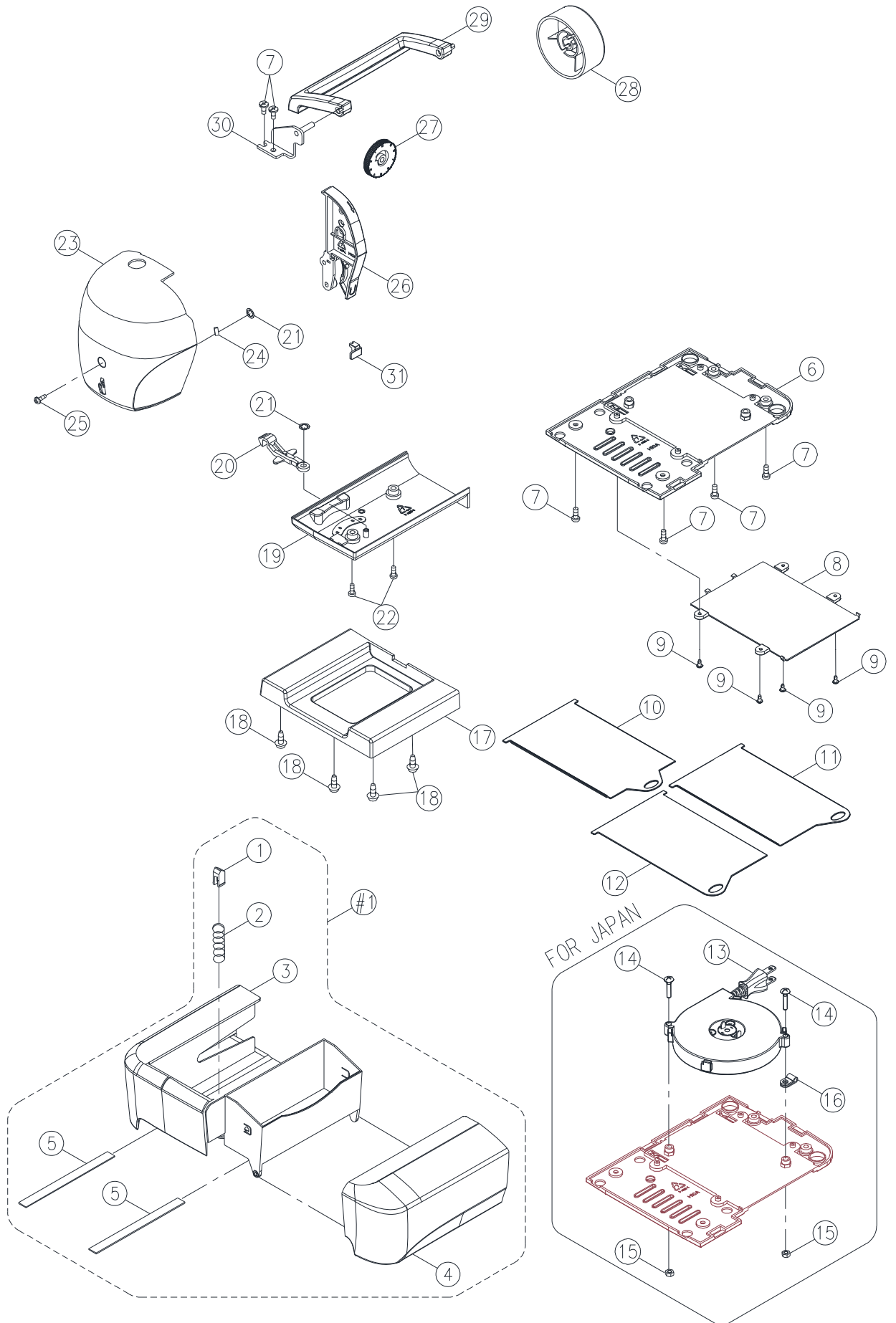
® A registered trademark of The Singer Company Ltd. or its affiliates.
® *Una marca registrada de The Singer Company Ltd. o sus afiliados.*
® *Une marca déposée de The Singer Company Ltd. ou ses filiales.*

A



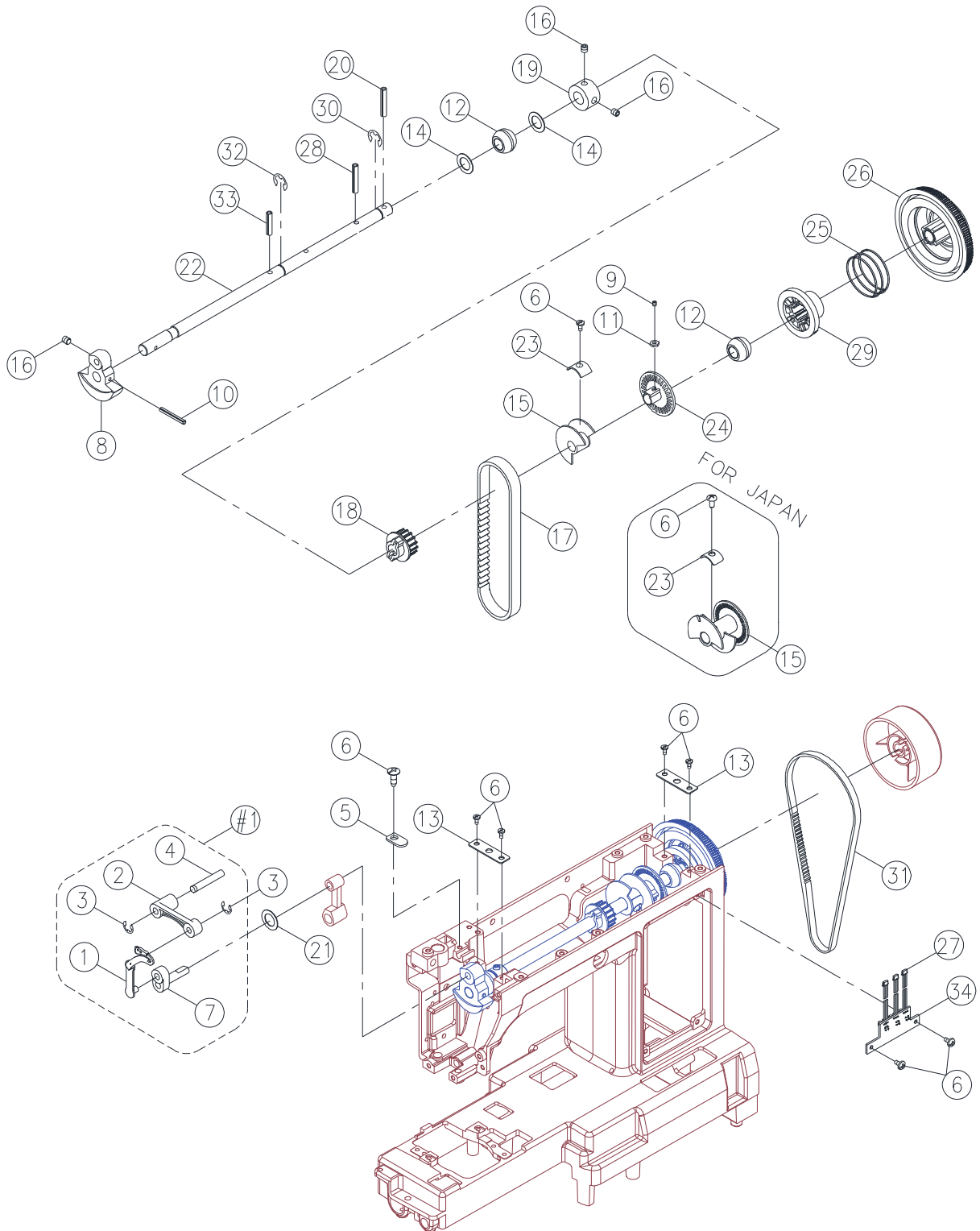
Pos	Part No.	Description
1	416121501	SET SCREW (M4x8 A)
2	68016529	BACK COVER
3	270 004240526	SET SCREW (M4x12 B)
4	270 004240586	SET SCREW (M4x8)
5	68016535	FRONT COVER FOR 9100
	68016536	FRONT COVER FOR 2010
6	270 H1A1203209	SLIDE VOLUME LEVER
7	270 H1A1223209	SLIDE VOLUME KNOB CONNECTOR
8	68016537	SLIDE VOLUME
9	68016538	LCD COVER
10	68016540	FUNCTION SELECT KEY
11	68016544	START/STOP PUSH BUTTON
12	68016554	KEY PLATE
13	270 004230126	SET SCREW (M3x8 B)
14	68016555	NUMERAL KNOB (1)
15	68016556	NUMERAL KNOB (2)
16	270 H5A0073209	FUNCTION SELECT KEY (2)
17	416595901	LCD KEY PLATE
18	270 H5A0063209	FUNCTION SELECT KEY (1)
19	416145101	ARM TOP COVER THREAD GUIDE PLATE
20	416121201	SET SCREW (M4x6 B)
21	416681501	SET SCREW (M3x8.5)
22	416144401	ARM FRONT COVER SET PLATE
23	270 003020033	CS RING
24	416596001	ROW LINE
25	416199201	BOBBIN WINDER THREAD GUIDE DISC
26	416149101	PLUG
27	68004749	SPOOL ROD
28	270 004230646	SET SCREW (M3x16.7 B)
29	416554101	BOBBIN WINDER STOPPER
30	416126301	NUT (9/64x40 t=3)
31	416174001	SET SCREW (9/64x40x16)
32	270 F91333001	THREAD GUIDE
33	416184801	SET SCREW (M3x8)
34	416199301	BOBBIN WINDER THREAD GUIDE CPL.
35	270 V6E0395000	THREAD GUIDE COMPLETE
36	270 004230086	SET SCREW (M3x6 B)
37	416565401	NEEDLE PLATE COVER
38	270 004240166	SET SCREW (M3x8 A)

B



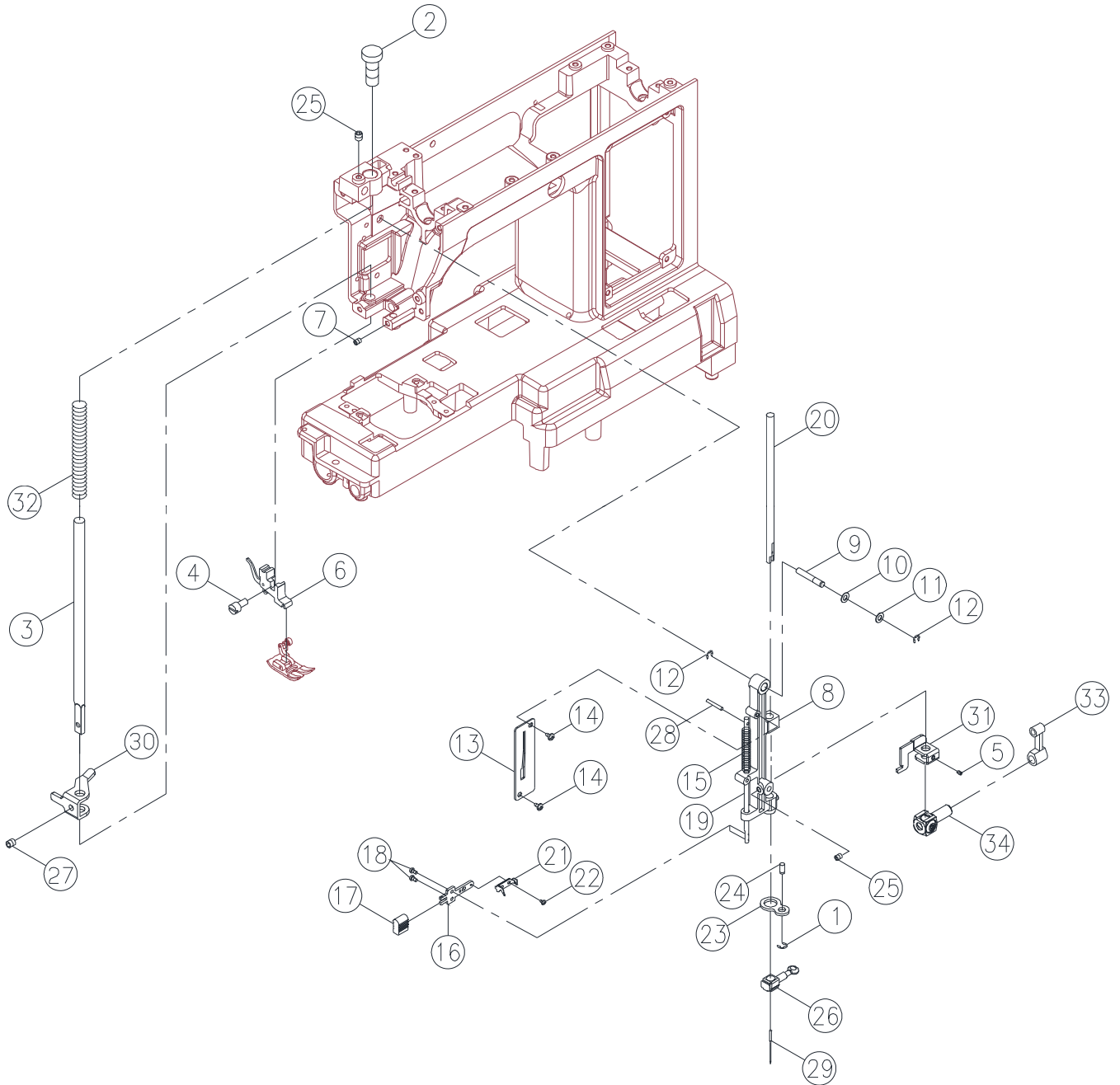
Pos	Part No.	Description
1	416424501	SEWING TABLE BODY GUIDE
2	416424401	SEWING TABLE BODY GUIDE SPRING
3	270 H1A1344209	SEWING TABLE BODY
4	270 H1A1353209	SEWING TABLE BODY COVER
5	416357702	SEWING TABLE BODY FELT
6	270 H1A1423209	CORD REEL COVER
7	416121501	SET SCREW (M4x8 A)
8	270 H1A1453209	PATTERN COVER
9	270 004230082	SET SCREW (M3x6 B)
10	416596101	PATTERN PLATE (UP)
11	416596201	PATTERN PLATE (MIDDLE)
12	416596301	PATTERN PLATE (DOWN)
17	270 H1A1393209	FREE ARM FOOT BUSH
18	416681501	SET SCREW (M3x8.5)
19	270 H1AA013209	FREE ARM BASE
20	270 P3C0483209	TOOTH LEVER ARM
21	416116701	CS-RING (CSTW-5)
22	416121601	SET SCREW (M4x12 B)
23	68016557	FACE PLATE FOR 9100
23	68016558	FACE PLATE FOR 2010
24	412423701	THREAD CUTTER
25	416523301	SET SCREW (M4x12 A)
26	270 H1A1373209	DIAL TENSION SUPPORTER PLATE COVER
27	416595401	DIAL TENSION KNOB
28	270 H1A1403209	HAND WHEEL
29	270 H1A1413209	HANDLE
30	270 V62033006	ARM TOP COVER PLATE CPL.
31	270 H1AA023209	BH LEVER BUTTON
#1	270 H1A1344209	SEWING TABLE CPL.

C



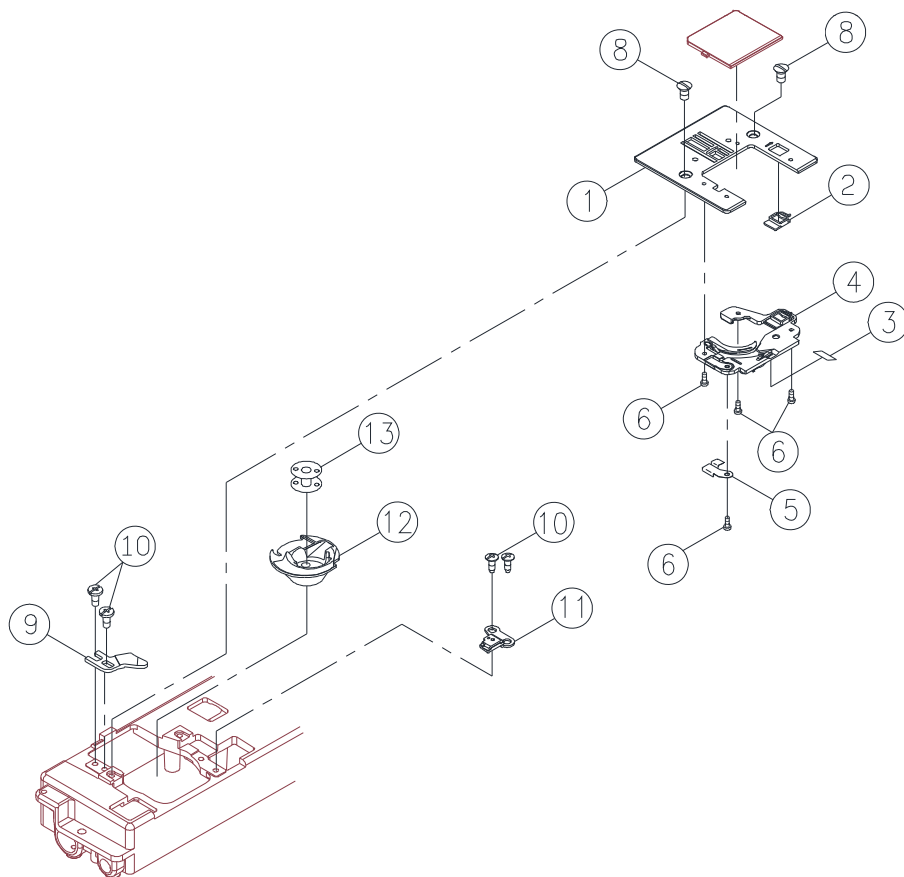
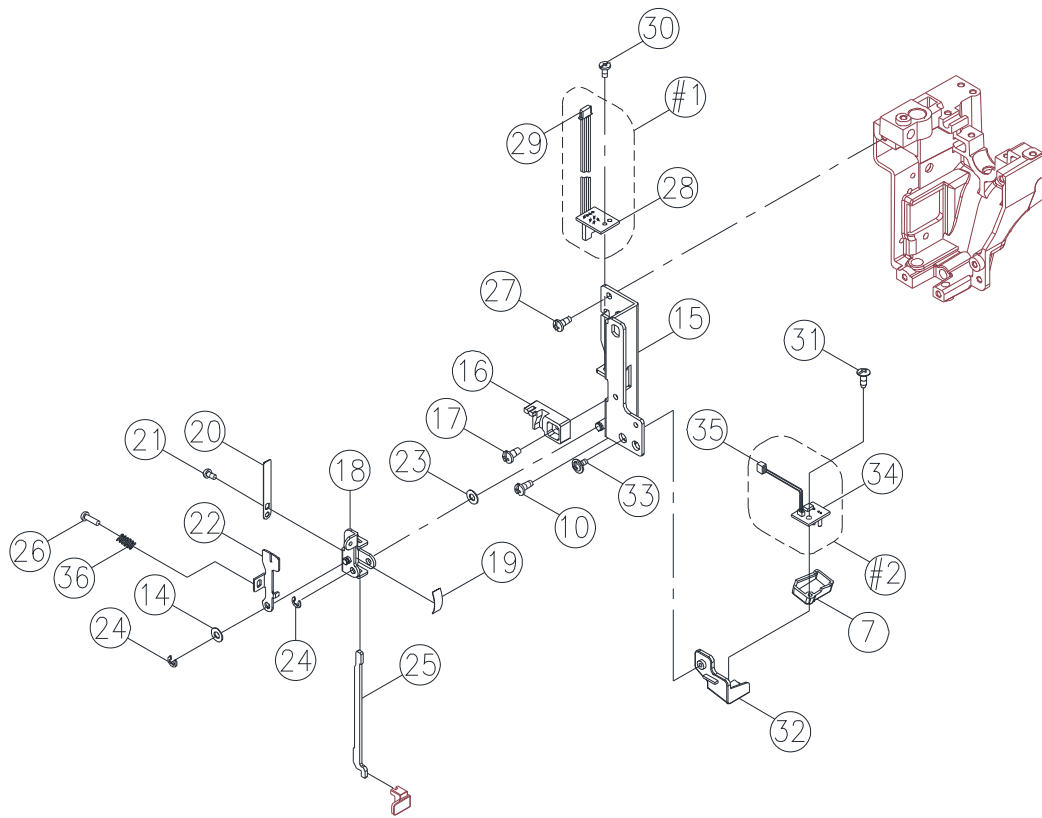
Pos	Part No.	Description
1	416484501	THREAD TAKE UP LEVER CPL.
2	416484501	THREAD TAKE UP LEVER SUPPORTER
3	416116001	E-RING (ETW-3)
4	416162201	THREAD TAKE UP LEVER SUPPORTER SHAFT
5		SET WASTER
6	416121501	SET SCREW (M4x8 A)
7	416484501	ARM SHAFT BALANCE PIN CPL.
8	416566401	ARM SHAFT BALANCE
9	416122101	SET SCREW (M4x6)
10	416117701	PIN (3.5x24)
11	416126501	NUT (M4 t=3)
12	416156301	ARM SHAFT BUSHING
13	416161701	ARM SHAFT BUSHING HOLDER PLATE
14	416125101	ENDURE ATTRITION WASHER
15	416642001	ROTARY SENSOR COLLAR
16	270 004250203	SET SCREW (M5x5)
17	416680301	BELT
18	416680201	ARM SHAFT SPROCKET
19	416156501	ARM SHAFT COLLAR
20	416680701	SPRING PIN (3x30)
21	416524701	ENDURE ATTRITION WASHER (6.2x12x0.25)
22	270 H1A0033000	ARM SHAFT
23	416133301	ARC WASHER
24	68016559	REVOLUTION CONTROL PANEL
25	270 D5A0573003	ARM SHAFT CLUTCH ANNULUS SPRING
26	416680801	ARM SHAFT DRIVE BELT PULLEY
27		
28	270 003043028	SPRING PIN (3x28)
29	416307201	CLUTCH SLEEVE
30	270 003010083	E-RING (ETW-8)
31	416685701	BELT
32	416116501	E-RING (ETW-9)
33	416117601	SPRING PIN (3x18)
34	416476401	PHOTO SENSOR PLATE CPL.
#1	416484501	THREAD TAKE UP LEVER CPL.

D



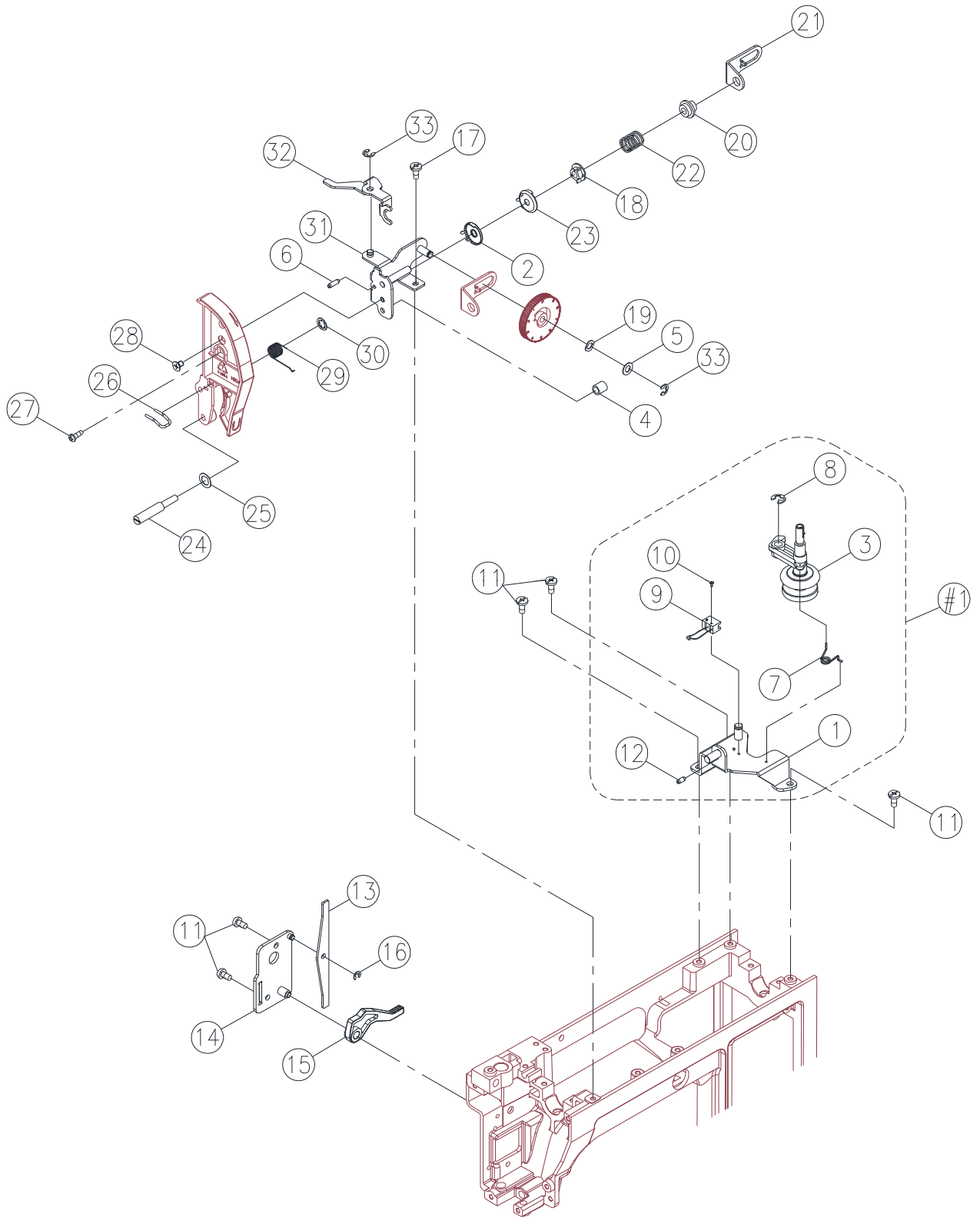
Pos	Part No.	Description
1	416116101	E-RING (ETW-4)
2	68016560	PRESSER BAR REGULATING SCREW CPL.
3	416173401	PRESSER BAR
4	416118401	SET SCREW (9/64x40x7.5)
5	416477101	SET SCREW (M3x6 C)
6	416128201	SHANK CPL.
7	416122401	SET SCREW (M4x4)
8	270 Q6A0053000	NEEDLE BAR SUPPORTER
9	416189301	NEEDLE BAR SUPPORTER PIN
10	416186901	WASHER (WW-6)
11	416185801	WASHER (6.5x13x1)
12	416116201	E-RING (ETW-4)
13	270 H2A0093003	THREADING GUIDE
14	416119201	SET SCREW (M3x6 A)
15	416190001	THREADING SHAFT SPRING
16	416190201	THREADING PLATE
17	416190301	THREADING BUTTON
18	416184401	SET SCREW (M2x4)
19	68016562	THREADING SHAFT
20	416173601	NEEDLE BAR
21	416190401	THREADING SHAFT CPL.
22	416184301	SET SCREW (M1.6x3)
23	416682401	NEEDLE BAR SWING RING
24	68014111	NEEDLE BAR SUPPORTER PLATE PIN
25	416121001	SET SCREW (M4x5)
26	416245301	NEEDLE CLAMP CPL.
27	416122101	SET SCREW (M4x6)
28	270 003045014	PIN (2x14)
29		NEEDLE
30	270 H1A0093003	PRESSER BAR BRACKET
31	68016195	THREADING STOPPER
32	416146901	PRESSER BAR SPRING
33	416235801	NEEDLE BAR CRANK ROD
34	416150801	NEEDLE BAR BRACKET CPL.

E



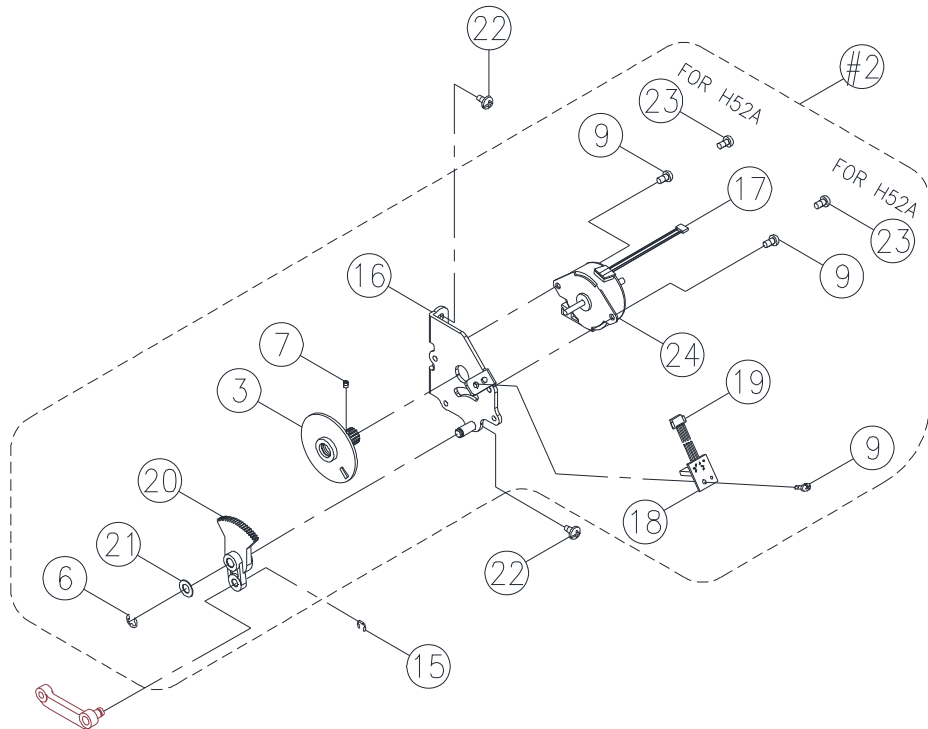
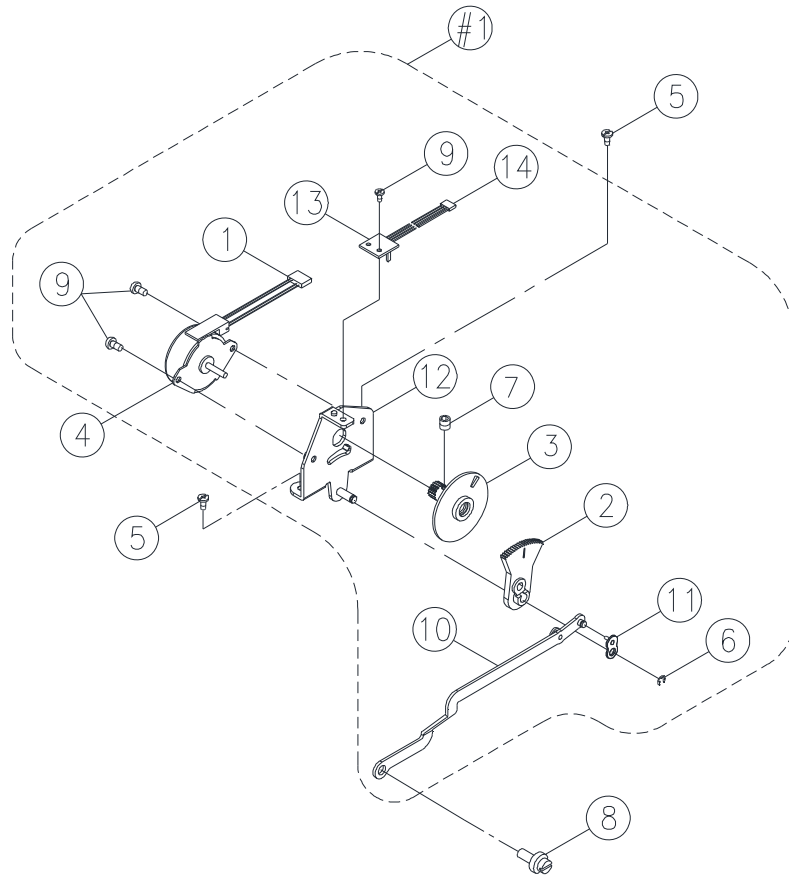
Pos	Part No.	Description
1	270 H2A0033004	NEEDLE PLATE
2	416155201	NEEDLE PLATE COVER OPEN
3	412423701	THREAD CUTTER
4	270 H2AA013000	NEEDLE PLATE SUPPORTER
5	416147501	NEEDLE PLATE SPRING
6	270 0042200016	SET SCREW (M2x3)
7		
8	416122901	SET SCREW (M4x6)
9	416144001	ROTARY HOOK PLATE
10	416121201	SET SCREW (M4x6 B)
11	68012459	ROTARY HOOK PLATE (2)CPL.
12	416827001	SHUTTLE HOOK CPL.
13	68000175	BOBBIN
14	270 004300096	WASHER (4x8x0.5)
15	270 H1A0273006	BH LEVER PLATE
16	270 P3C0203209	BH MOVEMENT CRANK
17	416119201	SET SCREW (M3x6 A)
18	68015287	BH LEVER CRANK
19	416310401	BH SPRING PLATE
20	68015288	BH LEVER CRANK SPRING
21	270 004230056	SET SCREW (M3x5 B)
22	416569801	PHOTO PLATE
23	416186201	WASHER (5.2x10x0.2)
24	416116001	E-RING (ETW-3)
25	270 P3C0183002	BH LEVER
26	416570101	SET SCREW (M3x16)
27	416121501	SET SCREW (M4x8 A)
28		
29		
30	416120601	SET SCREW (M3x5 A)
31	270 004230082	SET SCREW (M3x6 B)
32	270 H1A0553209	LED HOLDER
33	416686701	SET SCREW (M3x5)
34	68009195	LED LIGHT LAMP
35	68009195	LED LAMP LINE
36	416306901	PULSE SUPPORT SPRING
#1	416478701	PHOTO SENSOR CPL.
#2	68009195	LED LIGHT LAMP CPL.

F



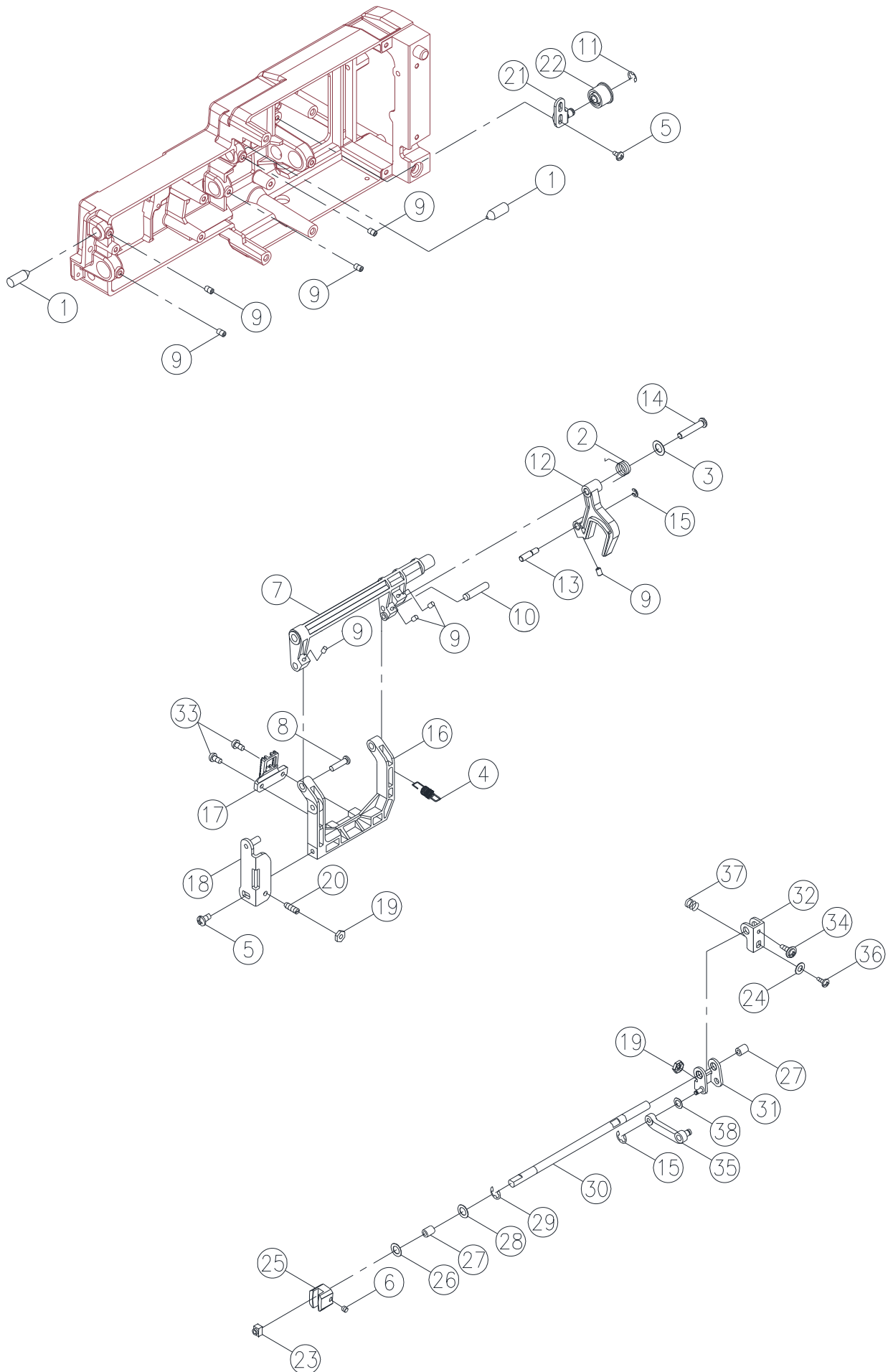
Pos	Part No.	Description
1	270 H1A0245006	BOBBIN WINDER PLATE
2	416153601	DIAL TENSION DISC (1)
3	416700601	BOBBIN WINDER CRANK
4	416151701	DIAL TENSION GUIDE SPRING TUBE
5	416124501	WASHER (5.2x10x0.5)
6	416117501	PIN (3x10x0.6)
7	270 K6A0573003	BOBBIN WINDER CRANK SPRING
8	416116301	E-RING (ETW-5)
9	416480101	MICRO SWITCH
10	416119101	SET SCREW (M2x0.4x7.5)
11	416121501	SET SCREW (M4x8 A)
12	270 003043008	SPRING PIN (3x8x0.6)
13	270 H1A0063003	TENSION LEVER LIFTER
14	270 H1A0053003	CLAMP PLATE
15	68003659	PRESSER BAR LIFTER LEVER
16	416116001	E-RING (ETW-3)
17	416121201	SET SCREW (M4x6 B)
18	416412001	DIAL TENSION SPRING REGULATOR
19	416126001	WASHER (WW-5)
20	416153801	DIAL TENSION REGULATOR
21	416716901	DIAL TENSION SPRING PLATE
22	270 K50183003	DIAL TENSION SPRING
23	416146301	DIAL TENSION DISC
24	416123001	SET SCREW (M4)
25	416186401	WASHER (4.1x8x1)
26	416198701	THREAD GUIDE
27	416121701	SET SCREW (M4x15 B)
28	416121901	SET SCREW (M4x6 D)
29	416162601	THREAD GUIDE SPRING
30	416116701	CS RING (CSTW-5)
31	270 K6B0183002	DIAL TENSION SUPPORTER PLATE
32	270 H1A1383003	DIAL TENSION WAFT PLATE
33	416116101	E-RING (ETW-4)
#1	416644001	BOBBIN WINDER CPL.

G

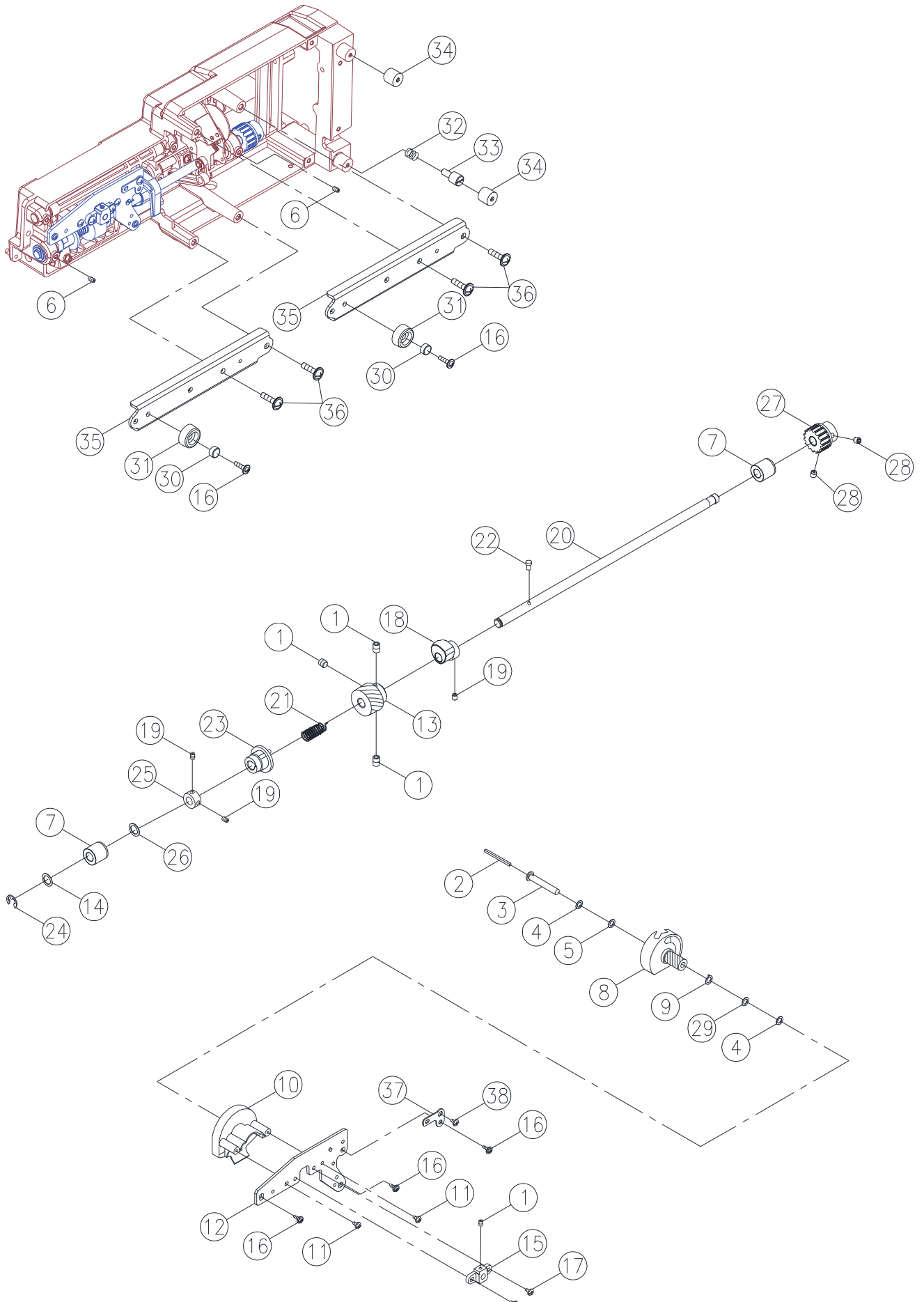


Pos	Part No.	Description
1		
2	68015303	ZIGZAG CRANK GEAR
3	270 R1A1394000	PULSE MOTOR GEAR CPL.
4	SEE #1	PULSE MOTOR (INCLUDED IN #1)
5	416121501	SET SCREW (M4x8 A)
6	416116201	E-RING (ETW-4)
7	416120001	SET SCREW (M3x3)
8	416801101	NEEDLE BAR DRIVING ROD PIN
9	416120601	SET SCREW (M3x5 A)
10	270 H1A0143003	NEEDLE BAR DRIVING ROD
11	270 P3C0123002	NEEDLE BAR DRIVING ROD PLATE
12	68015300	ZIGZAG PULSE MOTOR PLATE
13		
14		
15	416116001	E-RING (ETW-3)
16	68016563	PULSE SUPPORT PLATE
17		
18		
19		
20	270 P3C0243000	FEED ROCK CRANK GEAR
21	416124501	WASHER (5.2x10x0.5)
22	416119201	SET SCREW (M3x6 A)
23		
24	416303901	PULSE MOTOR
#1	68016564	ZIGZAG PULSE MOTOR PLATE CPL.
#2	68016565	PULSE SUPPORT PLATE CPL.

H

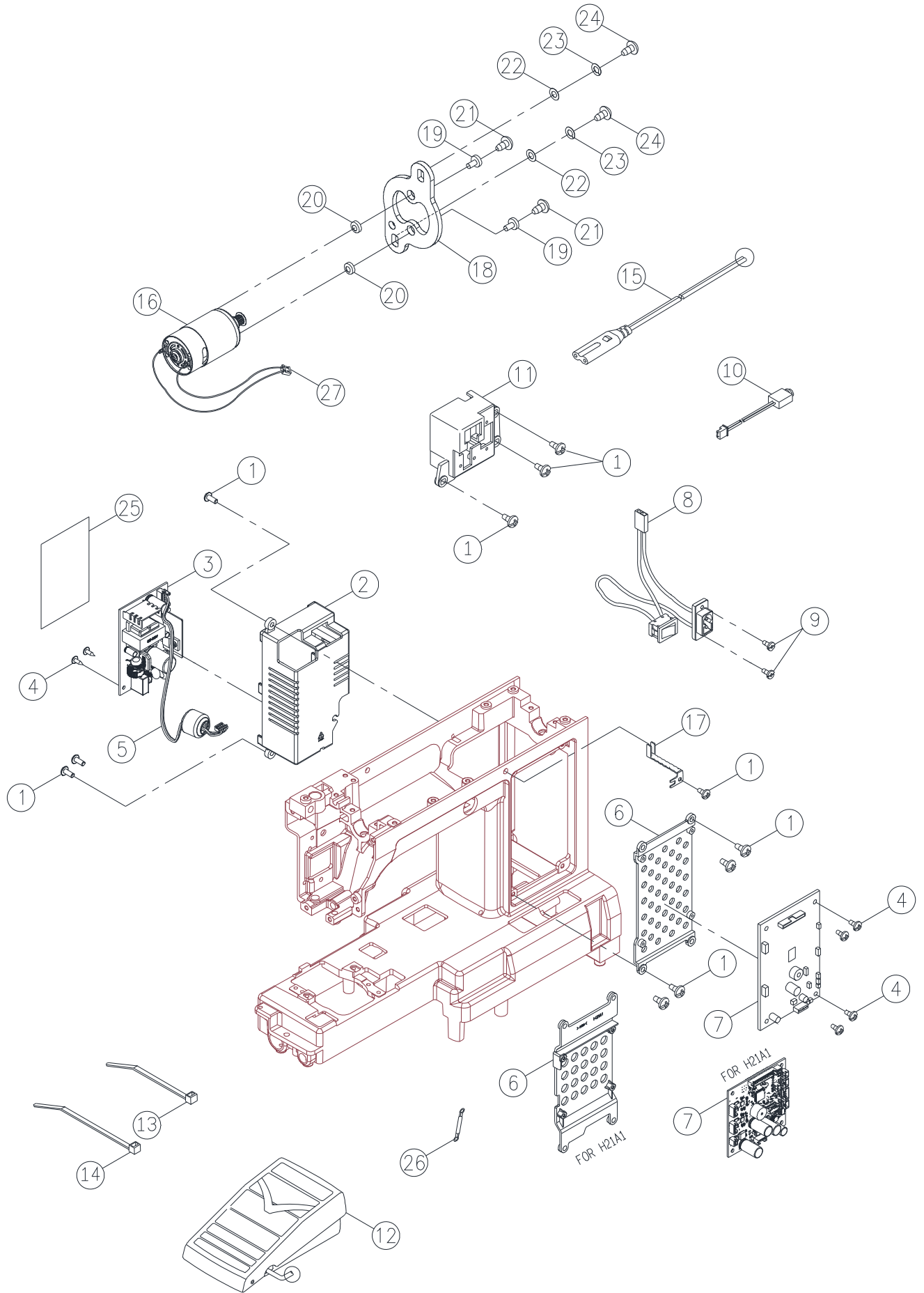


Pos	Part No.	Description
1	416192801	FEED CRANK SHAFT
2	416195701	FEED ROCK CRANK SPRING
3	416186301	WASHER (5.2x12x1)
4	68003066	FEED DOG SPRING
5	416121501	SET SCREW (M4x8 A)
6	416122401	SET SCREW (M4x4)
7	416191901	FEED ROCK SHAFT
8	416192101	FEED DOG SHAFT
9	416122101	SET SCREW (M4x6)
10	416549201	FEED ROCK FRAME SHAFT (2)
11	416116101	E-RING (ETW-4)
12	416192401	FEED ROCK CRANK
13	416192601	REGULATING BLOCK SHAFT
14	416192501	FEED ROCK SHAFT
15	416116001	E-RING (ETW-3)
16	416192001	FEED DOG SUPPORTER
17	68003195	FEED DOG
18	416192301	FEED LIFTING ROCK CRANK
19	68015308	ADJUSTING NUT (ALN-4)
20	416185501	SET SCREW (M4x0.7 L9)
21	416683801	BELT ADJUSTING PLATE
22	416683901	BELT ADJUSTING PLATE PULLEY
23	416356601	FEED REGULATING BLOCK
24	416595801	WASHER (4.2x10x0.5)
25	416356501	FEED REGULATING
26	416125601	ENDURE ATTRITION WASHER (6.7x11.8x0.5)
27	416156901	FEED ROCK BUSHING
28	416124001	WASHER (6.7x12x1)
29	416116301	E-RING (ETW-5)
30	270 H1A0203000	FEED REGULATING SHAFT
31	416134701	FEED REGULATING CRANK
32	416631501	FEED CRANK
33	270 004235016	SET SCREW (M3.5x0.6 L8)
34	416595701	SET SCREW (M3x12)
35	416136101	FEED ROCK ROD
36	416123401	FEED REGULATING CRANK SET SCREW
37	416571701	FEED REGULATING CRANK SPRING
38	416124101	WASHER (4.2x8x0.8)



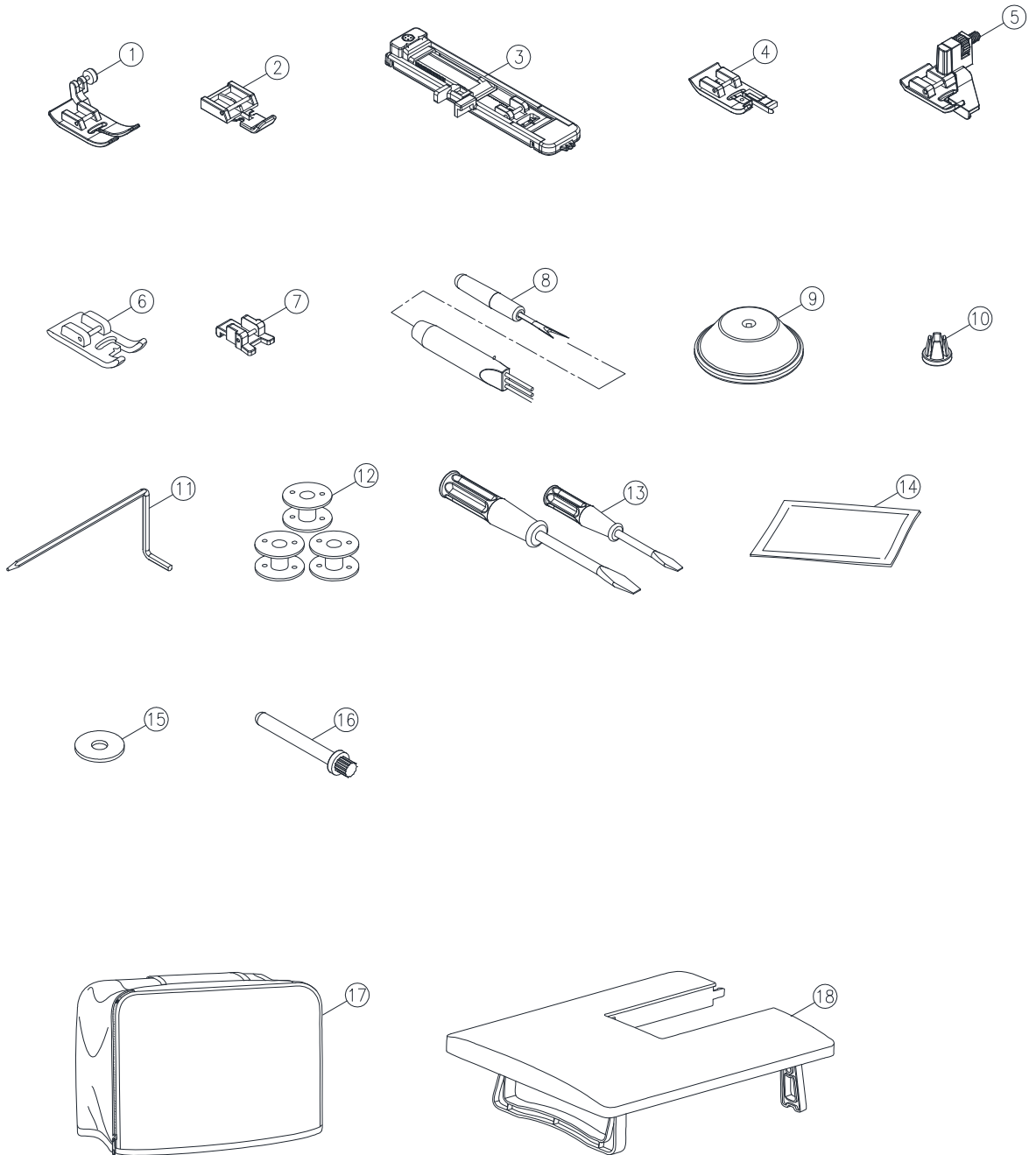
Pos	Part No.	Description
1	416121001	SET SCREW (M4x5)
2	416155801	BOBBIN SHAFT OIL CLOTH
3	416145401	BOBBIN SHAFT
4	416155601	BOBBIN SHAFT WASHER (2)
5	416125901	ENDURE ATTRITION WASHER
6	416122101	SET SCREW (M4x6)
7	416141701	LOWER SHAFT BUSHING
8	416479801	SHUTTLE HOOK HOLDER
9	416155701	BOBBIN SHAFT WASHER (3)
10	68013932	SHUTTLE HOOK COVER
11	416119501	SET SCREW (M3x12)
12	270 H1A0383006	ROTARY HOOK HOLDER
13	68013976	LOWER SHAFT GEAR
14	416186501	WASHER (8.2x12x0.5)
15	416143401	ROTARY HOOK SUPPORTER
16	270 004240586	SET SCREW (M4x8)
17	416121501	SET SCREW (M4x8 A)
18	68003196	FEED ROCK CAM
19	416122401	SET SCREW (M4x4)
20	270 H1A0133000	LOWER SHAFT
21	416191401	LOWER SHAFT SPRING
22	416191301	FEED LIFTING ROCK COM PIN
23	416191201	FEED LIFTING ROCK CAM
24	416116401	E-RING (ETW-6)
25	416158801	LOWER SHAFT COLLAR
26	416125801	ENDURE ATTRITION WASHER (8.2x12x0.5)
27	270 H1A0463000	LOWER SHAFT BELT PULLEY
28	270 004250203	SET SCREW (M5x5)
29	68013850	ENDURE ATTRITION WASHER
30	416542201	SPACER
31	68012007	FREE ARM BASE CUSHION RUBBER
32	416147301	BASE PLATE ADJUSTMENT SCREW SPRING
33	416154601	BASE PLATE ADJUSTMENT SCREW
34	68003263	FREE ARM BASE CUSHION RUBBER
35	270 H1A0413006	FREE ARM BASE CUSHION
36	270 004250426	SET SCREW (M5x10)
37	416191801	ROTARY HOOK HOLDER
38	416121201	SET SCREW (M4x6)

J



Pos	Part No.	Description
1	416121501	SET SCREW (M4x8 A)
2	416643201	HF TRANSFORMER BOX
3	68016566	HF TRANSFORMER CPL. FOR 100~230V
4	416681501	SET SCREW (M3x8.5)
5	416643401	HF TRANSFORMER WIRE FOR 100/230V
5	416643402	HF TRANSFORMER WIRE FOR 120V
6	270 H1A0543209	FRAME OF MAIN CIRCUIT BOARD
7	68016568	MAIN CIRCUIT BOARD
8	270 008H1A0028	SWITCH RECEPTACLE ASS'Y
8	416499301	SWITCH RECEPTACLE ASS'Y
9	270 004230326	SET SCREW (M3x12 B)
10	68016569	CONTROLLER RECEPTACLE FOR 120V
10	68016570	CONTROLLER RECEPTACLE FOR 100/230V
11	416643701	RECEPTACLE HOLDER
12	68016571	FOOT CONTROLLER
13	416113901	CORD CLIP (L=12)
14	416115501	CORD CLIP (L=20)
15	412157903	POWER CORD FOR 120V
15	412157801	POWER CORD FOR 230V
15	412158101	POWER CORD FOR 240V
16	68003801	MOTOR
17	416302701	ELECTRIC WIRE PRESS BOARD
18	270 H1A0303006	MOTOR BRACKET
19	416419001	INSULATION SPACER
20	416418901	INSULATION SPACER
21	416120201	SET SCREW (M3x10)
22	416124301	WASHER (5.4x10x0.9)
23	416126201	SPRING WASHER (5.1x9.2x1.3)
24	416224801	SET SCREW (M5x12)
25	270 008H1A0027	SMPS INSULATING SLICE
26	416687301	GROUND CONNECTION
27	416572801	DC MOTOR LEAD CORD

K



Pos	Part No.	Description
1	416127501	ALL PURPOSE FOOT
2	416128701	ZIPPER FOOT (I)
3	270 006H1A0004	BUTTONHOLE FOOT
4	270 006907008	OVERCASTTING FOOT (E)
5	416437101	BLIND HEM FOOT (F)
6	416437201	SATIN STITCH FOOT (A)
7	416284501	BUTTON SEWING FOOT
8	416127701	BRUSH & SEAM RIPPER
9	416157101	SPOOL HOLDER (LARGE)
10	416157601	SPOOL HOLDER (SMALL)
11	416127101	QUILTING GUIDE
12	68000175	BOBBIN
13	270 006012008	SCREWDRIVER (L & S)
14		PACK OF NEEDLES
15	416127301	SPOOL PIN FELT
16	416157501	AUXILIARY SPOOL PIN
17	68016572	SEWING MACHINE DUST COVER
18	270 H1A1464209	EXTENSION TABLE FOR 9100