

2002

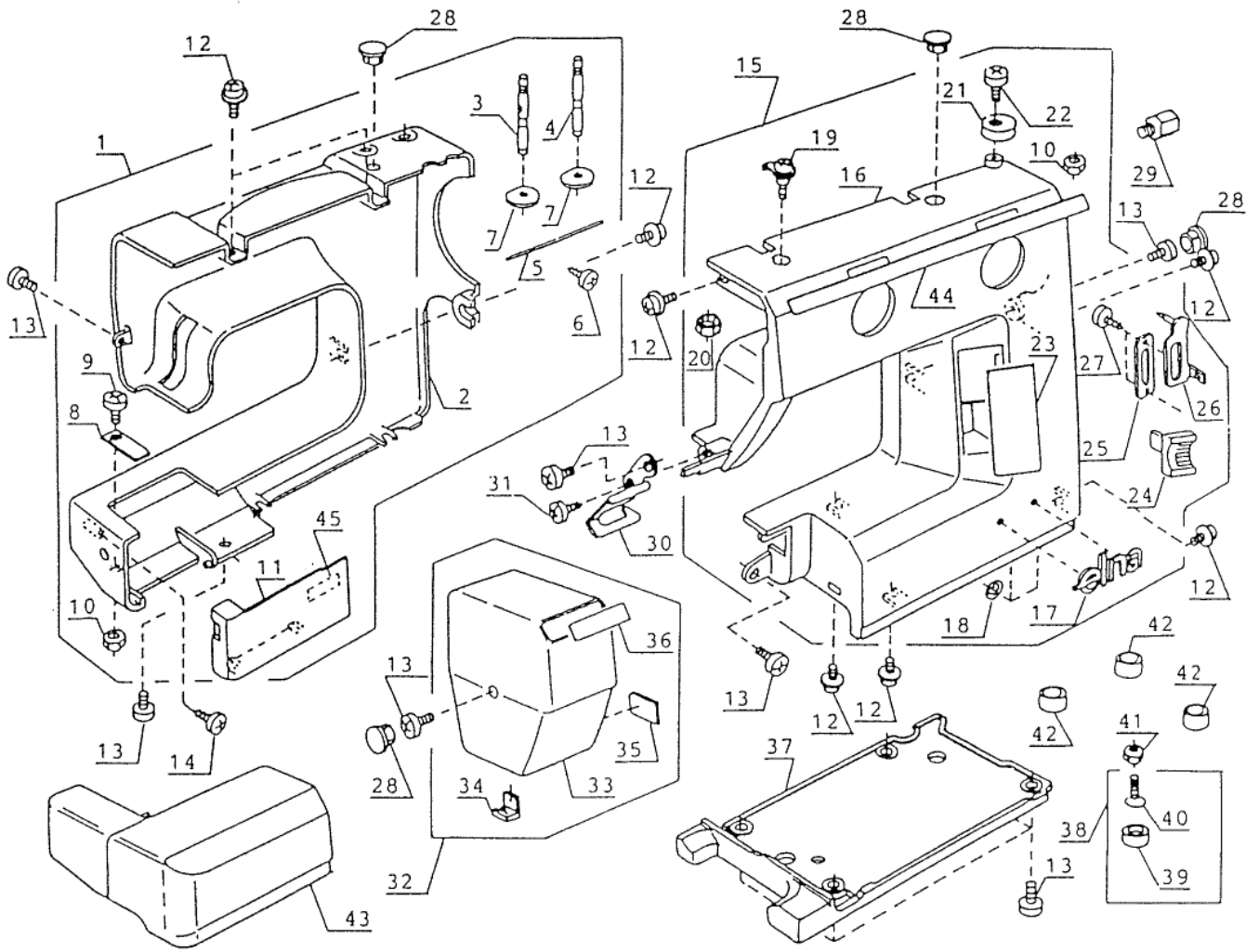
2004

2006

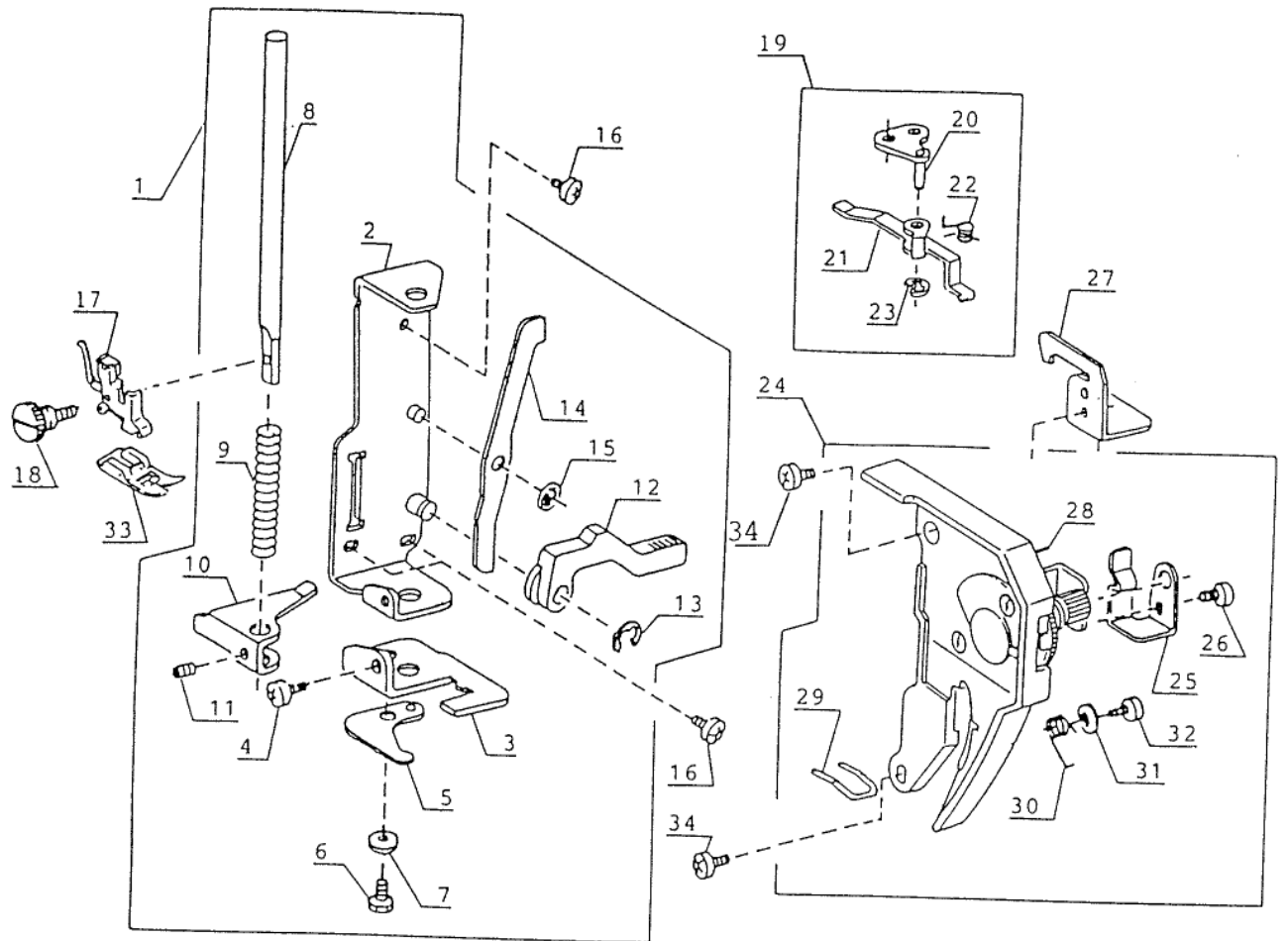
**PIECES DE RECHANGE
ERSATZTEILE
SPARE PARTS
PIEZAS DE RECAMBIO**

INDEX

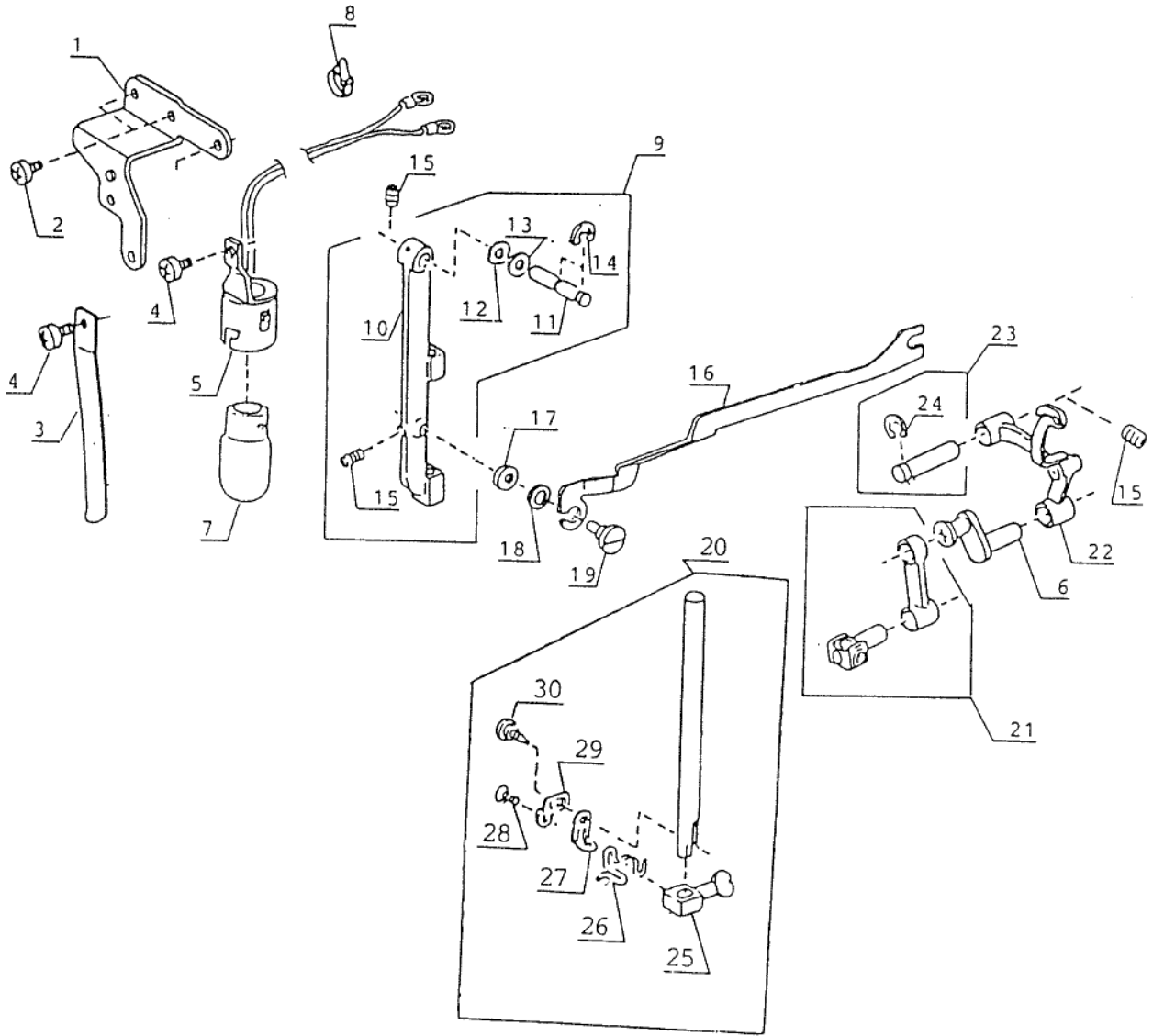
1. Rear cover, front cover, face plate, bottom cover, extension table/
accessory box
2. Presser bar, upper tension
3. Lamp socket, needle bar, take-up lever
4. Upper shaft, crank rod, balance wheel
5. Handle, bobbin winder, zigzag mechanism, dials, feed regulator
6. Feed rock shaft, feed lifting arm, forked rod
7. Lower shaft, shuttle
8. Machine socket, motor, foot control
9. Accessories, instruction manuals
10. Drawing number index and weights



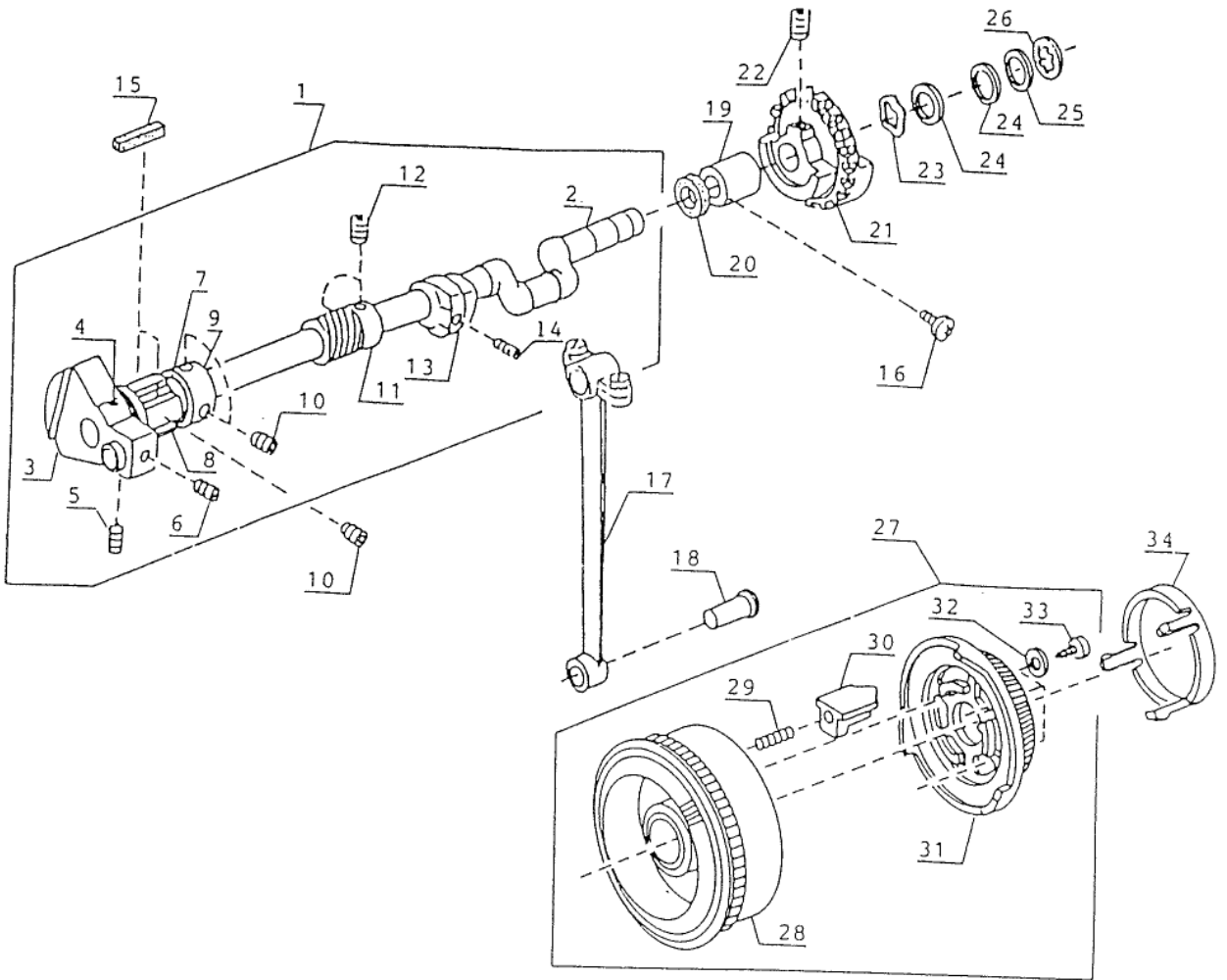
No.	Part No.	Tavaro No.	Name of part
---	-----	-----	-----
1	741601005	395710-30	Rear cover unit
2	741001102	395710-31	Rear cover
3	652302004	395710-32	Spool pin left
4	652205006	395710-33	Spool pin right
5	736007009	395710-34	Spring
6	000076317	395710-35	Set screw
7	735013005	395710-36	Spool pin base
8	730006000	395710-37	Spring
9	000101404	395710-38	Set screw
10	000061205	395710-39	Nut
11	739004005	395710-40	Hook cover plate
12	000115205	395710-41	Screw
13	000081005	395710-42	Set screw
14	000121905	395710-43	Set screw
15	741606000	395710-44	Front cover unit (2006)
	741606103	395710-45	Front cover unit (2004)
	741608002	395710-46	Front cover unit (2002)
16	741023007	395710-47	Front cover
17	741032102	395710-48	Name plate
18	000014306	395710-49	CS ring
19	730501000	395710-50	Thread guide
20	000160102	395710-51	Nut
21	735016307	395710-52	Bobbin winder stopper
22	000103107	395710-53	Set screw
23	741025009	395710-54	Ornamental plate (2006)
	741025102	395710-55	Ornamental plate (2004)
	741042002	395710-56	Ornamental plate (2002)
24	741026000	395710-57	Zigzag lever (2006/2004)
25	741027001	395710-58	Lever supporter (2006/2004)
26	741028002	395710-59	Lever guide (2006/2004)
27	000066705	395710-60	Set screw (2006/2004)
28	653006101	395710-61	Lid
29	741033000	395710-62	Bolt
30	740022003	395710-63	Thread guide
31	000107307	395710-64	Set screw
32	741602006	395710-65	Face plate unit (2006)
	741602109	395710-66	Face plate unit (2004)
	741602202	395710-67	Face plate unit (2002)
33	741005003	395710-68	Face plate
34	822532008	395710-69	Thread cutter
35	827099003	395710-70	Sticker
36	741006004	395710-71	Ornamental plate (2006)
	741006107	395710-72	Ornamental plate (2004)
	741006200	395710-73	Ornamental plate (2002)
37	739005006	395710-74	Cover
38	735616107	395710-75	Cushion unit
39	735002001	395710-76	Cushion
40	000192000	395710-77	Set screw
41	000061319	395710-78	Nut
42	739064003	395710-79	Cushion
43	741501004	395710-80	Extension table/accessory box unit
44	741024008	395710-81	Ornamental plate (2006)
	741037004	395710-82	Ornamental plate (2004)
	741041001	395710-83	Ornamental plate (2002)
45	830312016	395710-84	Sticker (U.S.A.)



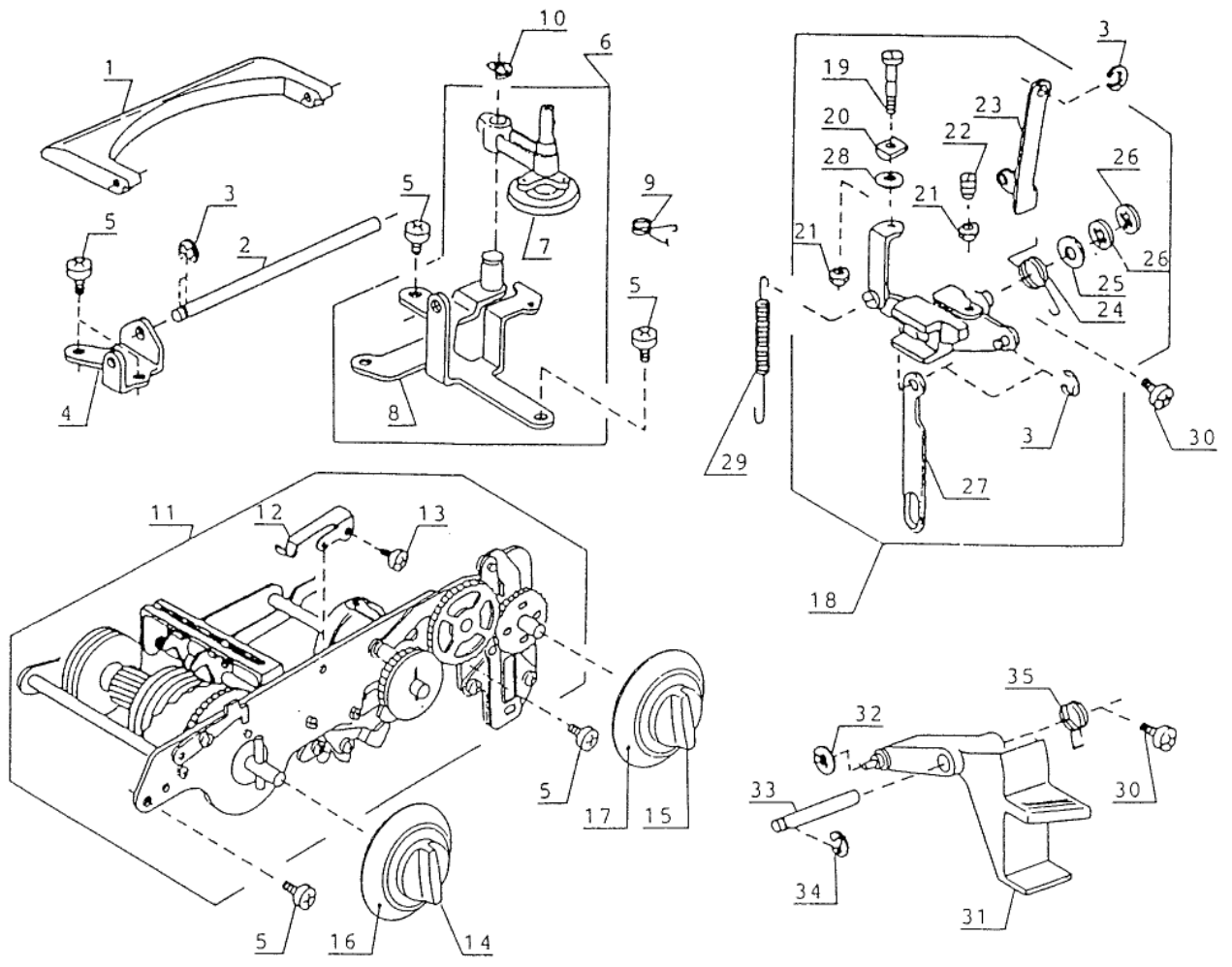
No.	Part No.	Tavaro No.	Name of part
---	-----	-----	-----
1	735604xxx	395710-85	Presser bar supporter unit
2	735023008	395710-86	Presser bar supporter
3	735024009	395710-87	Stopper
4	000101404	395710-38	Set screw
5	735025000	395710-88	Stopper
6	000138307	395710-89	Bolt
7	000116103	395710-90	Washer
8	735026001	395710-91	Presser bar
9	735027002	395710-92	Spring
10	735028003	395710-93	Presser bar bracket
11	000111500	395710-94	Hexagon socket screw
12	735029xxx	395710-95	Presser foot lifter
13	000001609	395710-96	Snap ring
14	735030008	395710-97	Tension release lever
15	000013903	395710-98	Snap ring
16	000081005	395710-42	Set screw
17	611510000	395710-01	Foot holder
18	647112009	395710-02	Thumb screw
19	741604008	395710-99	Tension release arm unit
20	739017001	395711-00	Tension release arm base
21	741008006	395711-01	Tension release arm
22	739019003	395711-02	Spring
23	000002105	395711-03	Snap ring
24	741603007	395711-04	Tension unit
25	735038006	395711-05	Spring
26	000103808	395711-06	Set screw
27	739016000	395711-07	Thread guide
28	739015009	395711-08	Spring
29	735040001	395711-09	Thread guide
30	735041002	395711-10	Check spring
31	652039007	395711-11	Washer
32	000107307	395710-64	Set screw
33	611511001	395710-03	Zigzag foot
34	000101703	395711-12	Set screw



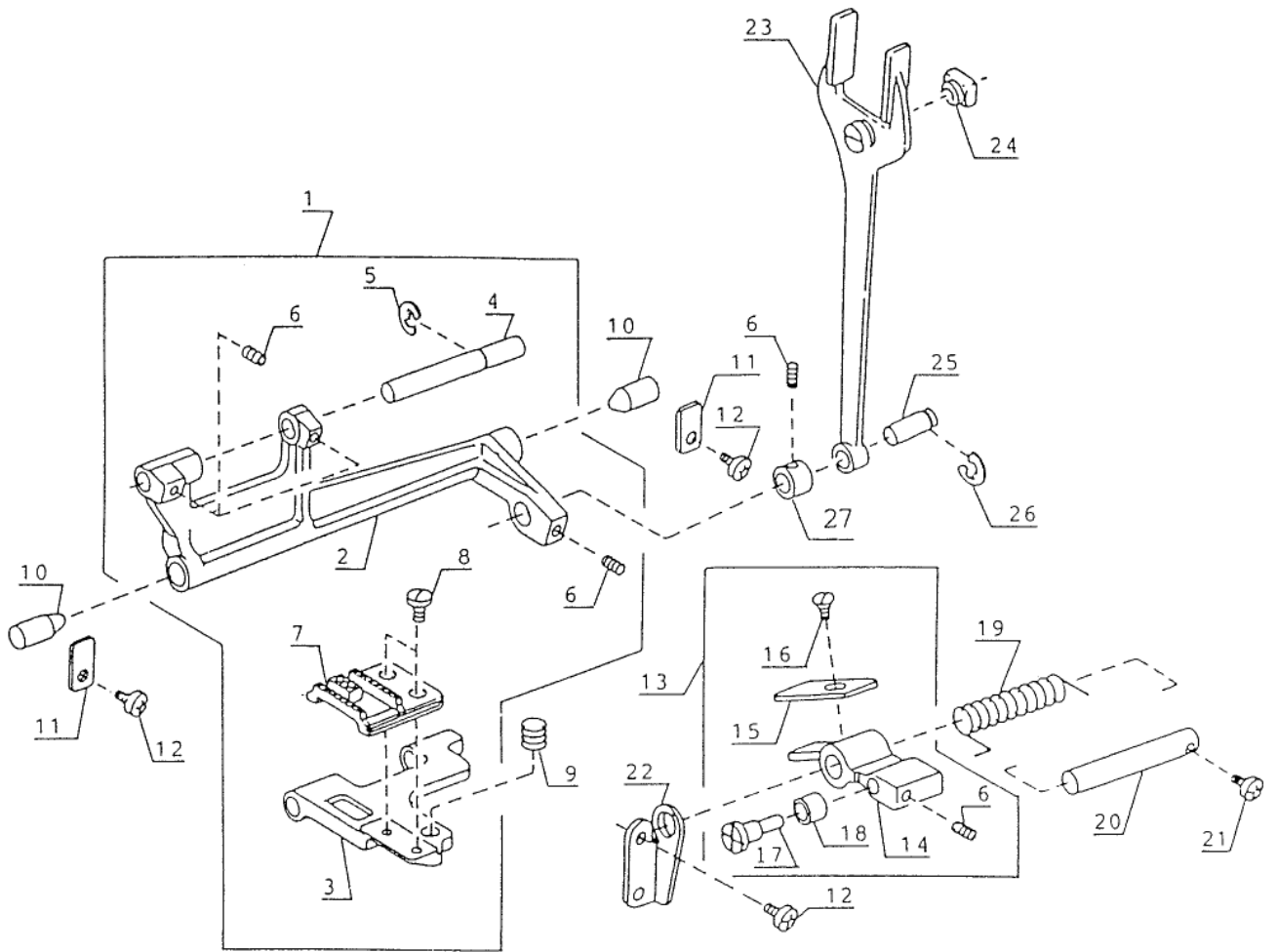
No.	Part No.	Tavaro No.	Name of part
---	-----	-----	-----
1	740007002	395711-13	Face plate supporter
2	000081005	395710-42	Set screw
3	730024004	395711-14	Spring
4	000101404	395710-38	Set screw
5	740618002	395711-15	Lamp socket (220/240V)
	647510001	395711-16	Lamp socket (120V)
6	735504008	395711-17	Needle bar crank pin
7	000009009	395710-04	Light bulb (220/240V)
	000009803	395710-05	Light bulb (120V)
8	000053008	395711-18	Binder
9	735605103	395711-19	Needle bar supporter unit
10	735032000	395711-20	Needle bar supporter
11	730022002	395711-21	Pin
12	673022002	395711-22	Washer
13	000070609	395711-23	Washer
14	000002507	395711-24	Snap ring
15	000111304	395711-25	Hexagon socket screw
16	735119002	395711-26	Zigzag rod
17	670258000	395711-27	Washer
18	678044005	395711-28	Washer
19	678084007	395711-29	Pin
20	730503013	395711-30	Needle bar
21	680504005	395711-31	Connecting stud unit
22	625506109	395711-32	Thread take-up lever
23	731511006	395711-33	Pin
24	000002806	395711-34	Snap ring
25	801506008	395711-35	Needle clamp
26	680043012	395711-36	Thread guide
27	730025005	395711-37	Needle guide plate
28	670047004	395711-38	Set screw
29	732105006	395711-39	Needle clamp set plate
30	802108009	395711-40	Hinge screw



No.	Part No.	Tavaro No.	Name of part
----	-----	-----	-----
1	735636000	395711-41	Upper shaft unit (2002)
	735636103	395711-42	Upper shaft unit (2004/2006)
2	735232002	395711-43	Upper shaft
3	647034006	395711-44	Take-up crank
4	000021708	395711-45	Pin
5	102073003	395711-46	Set screw
6	761052007	395711-47	Set screw
7	000038100	395711-48	Washer
8	670079005	395711-49	Bushing
9	658019009	395711-50	Ring
10	000111304	395711-25	Hexagon socket screw
11	735284009	395711-51	Worm gear (2002)
	736066006	395711-52	Worm gear (2004/2006)
12	553245008	395711-53	Hexagon socket screw
13	365507002	395711-54	Feed cam unit
14	102133002	395711-55	Set screw
15	731312005	395711-56	Oil wick
16	000101301	395711-57	Set screw
17	735507001	395711-58	Crank rod
18	735064001	395711-59	Pin
19	671021005	395711-60	Bushing
20	735143005	395711-61	Oil wick
21	735049000	395711-62	Balance weight
22	000111706	395711-63	Hexagon socket screw
23	672101003	395711-64	Washer
24	000037501	395711-65	Washer
25	735054008	395711-66	Washer
26	000013501	395711-67	Snap ring
27	735608302	395711-68	Balance wheel unit
28	735050303	395711-69	Balance wheel
29	735033001	395711-70	Spring
30	735051005	395711-71	Clutch claw
31	735052305	395711-72	Clutch knob
32	735053007	395711-73	Washer
33	000075109	395711-74	Set screw
34	735055308	395711-75	Lid

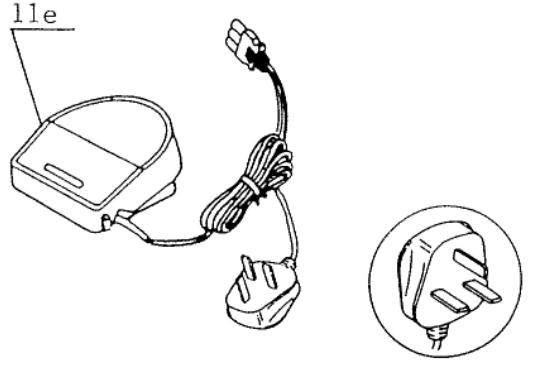
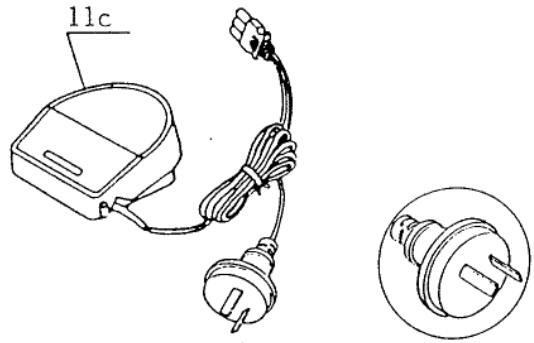
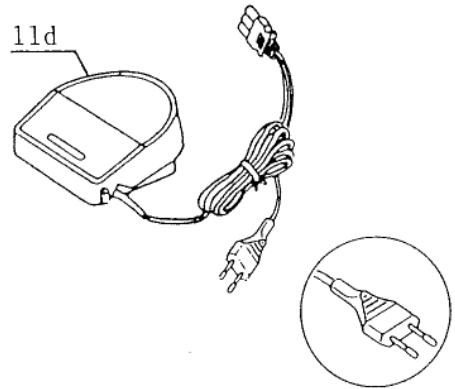
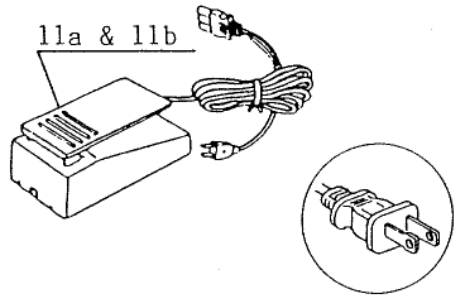
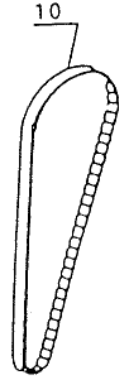
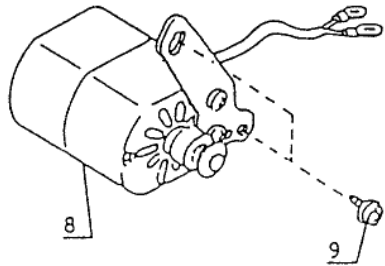
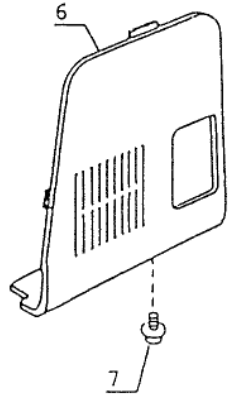
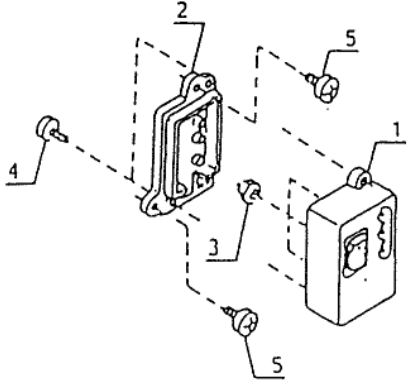


No.	Part No.	Tavaro No.	Name of part
---	-----	-----	-----
1	741009007	395711-76	Handle
2	740011009	395711-77	Pin
3	000002105	395711-03	Snap ring
4	740010008	395711-78	Handle supporter
5	000081005	395711-47	Set screw
6	740602209	395711-79	Bobbin winder unit
7	735501005	395711-80	Bobbin winder arm unit
8	740003008	395711-81	Bobbin winder base
9	740042009	395711-82	Spring
10	000002806	395711-34	Snap ring
11	741605009	395711-83	Zigzag mechanism unit (2006)
	741605102	395711-84	Zigzag mechanism unit (2004)
	741607001	395711-85	Zigzag mechanism unit (2002)
12	735145007	395711-86	Spring
13	000103808	395711-06	Set screw
14	741021005	395711-87	Pattern selector dial
15	741022006	395711-88	Stitch length dial
16	741030007	395711-89	Pattern ind. plate (2006)
	741036003	395711-90	Pattern ind. plate (2004)
	741040000	395711-91	Pattern ind. plate (2002)
17	741031008	395711-92	Stitch length ind. plate (2006)
	741031101	395711-93	Stitch length ind. plate (2004)
	741031204	395711-94	Stitch length ind. plate (2002)
18	736604105	395711-95	Feed regulator unit
19	735074004	395711-96	Adjusting screw
20	735076006	395711-97	Nut
21	000160102	395710-51	Nut
22	648010009	395711-98	Set screw
23	739020007	395711-99	Rod
24	735077007	395712-00	Spring
25	735073003	395712-01	Washer
26	000013800	395712-02	CS ring
27	730045001	395712-03	Link
28	000071013	395712-04	Washer
29	670100006	395712-05	Spring
30	000101301	395711-57	Set screw
31	741010001	395712-06	Reverse button
32	000014007	395712-07	CS ring
33	736015000	395712-08	Pin
34	000001609	395710-96	Snap ring
35	739063002	395712-09	Spring



No.	Part No.	Tavaro No.	Name of part
---	-----	-----	-----
1	735612000	395712-10	Feed rock shaft unit
2	735078008	395712-11	Feed rock shaft
3	735079009	395712-12	Feed bar
4	735080003	395712-13	Pin
5	000002507	395711-24	Snap ring
6	000111201	395712-14	Hexagon socket screw
7	735081004	395712-15	Feed dog
8	735082005	395712-16	Set screw
9	735083006	395712-17	Spring
10	735084007	395712-18	Center pin
11	735085008	395712-19	Plate
12	000101404	395710-38	Set screw
13	735613001	395712-20	Feed lifting arm unit
14	735086009	395712-21	Feed lifting arm
15	605030002	395712-22	Sliding plate
16	365032001	395712-23	Set screw
17	735087000	395712-24	Pin
18	735088001	395712-25	Roller
19	735089002	395712-26	Spring
20	735090006	395712-27	Pin
21	000097200	395712-28	Set screw
22	739022009	395712-29	Supporter
23	647607006	395712-30	Forked rod
24	102141003	395712-31	Sliding block
25	735071001	395712-32	Pin
26	000002806	395711-34	Snap ring
27	735276008	395712-33	Ring

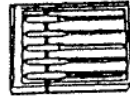
No.	Part No.	Tavaro No.	Name of part
----	-----	-----	-----
1	741004002	395710-06	Needle plate
2	681009101	395712-34	Set screw
3	735059106	395712-35	Lower shaft
4	000111304	395711-25	Hexagon socket screw
5	000110107	395712-36	Hexagon socket screw
6	000036201	395712-37	Washer
7	735233003	395712-38	Bushing
8	735061008	395712-39	Feed lifting cam
9	735236006	395712-40	Lower shaft
10	735239009	395712-41	Oil wick holder
11	822070003	395712-42	Oil wick
12	735234004	395712-43	Bushing
13	735062009	395712-44	Lower shaft crank
14	735610008	395712-45	Shuttle race body unit
15	605065006	395712-46	Clasp (right)
16	605066007	395712-47	Clasp (left)
17	532184003	395712-48	Spring
18	673290003	395712-49	Hinge screw
19	553168006	395712-50	Ring
20	601801000	395712-51	Spring
21	102100000	395712-52	Set screw
22	670286007	395712-53	Spring
23	102202003	395712-54	Set screw
24	553245008	395711-53	Hexagon socket screw
25	532096007	395712-55	Shuttle hook
26	102xxxxxx	395710-07	Bobbin
27	647515006	395710-08	Bobbin case



No.	Part No.	Tavaro No.	Name of part
----	-----	-----	-----
1	739503009	395712-56	Machine socket (220 - 240V)
	739505001	395712-57	Machine socket (120V)
2	739037007	395712-58	Lid
3	000060802	395712-59	Nut
4	000107802	395712-60	Set screw
5	000103509	395712-61	Set screw
6	741029003	395712-62	Belt cover
7	000115205	395710-41	Set screw
8	M-1028	395712-67	Motor (USA)
	M-1029	395712-68	Motor (Canada)
	M-2082	395712-69	Motor (Europe/Australia/U.K./South Africa)
9	000115504	395712-76	Set screw
10	650166008	395712-77	Timing belt
11a	C-1011	395712-78	Foot controller (USA)
11b	C-1014	395712-79	Foot controller (Canada)
11c	C-2014	395712-80	Foot controller (Australia)
11d	C-2037	395712-81	Foot controller (Continental Europe/South Africa)
11e	C-2042	395712-82	Foot controller (U.K.)



1



7



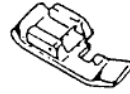
2



8



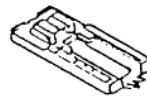
3



9



4



10



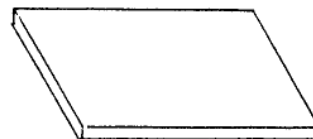
5



11



6



12



13

No.	Part No.	Tavaro No.	Name of part
---	-----	-----	-----
1	820832005	395710-09	Screwdriver (large)
2	647803004	395710-10	Screwdriver (small)
3	131402005	395710-11	Oiler
4	102xxxxxx	395710-07	Bobbin
5	735801008	395710-12	Darning plate
6	647808009	395710-13	Seam ripper
7	540401026	395710-14	Set of needles
8	737801015	395710-15	Buttonhole foot
9	611406002	395710-16	Zipper foot
10	611413002	395710-17	Sliding buttonhole foot (2004/2006)
11	611411000	395710-18	Blind hemming foot (2004/2006)
12	741800006	395700-19	Instruction book (English/French/German)
	741800017	395700-10	Instruction book (English/French/German/Italian)
	741800028	395701-10	Instruction book (Swedish/Norwegian/Finnish/Danish)
	741800039	395702-10	Instruction book (Spanish/Portuguese/Dutch/French)
13	741812001	395710-19	Finger guard
	741811000	395710-00	Dust cover
	75T	395710-20	Protection hood
	990741001	395712-63	Carton box
	990741002	395712-95	Styrofoam set

Part No.	Weight (g)	Page	Part No.	Weight (g)	Page
C-1011	684	8	000103509	1	8
C-1014	680	8	000103808	1	2, 5
C-2010	630	8	000107307	1	1, 2
C-2014	625	8	000107802	1	8
C-2037	568	8	000110107	1	7
M-1028	777	8	000111201	1	6
M-1029	705	8	000111304	1	3, 4, 7
M-2047	533	8	000111500	1	2
M-2082	533	8	000111706	1	4
000001609	1	2, 5	000115205	1	1, 8
000002105	1	2, 5	000115504	1	8
000002507	1	3, 6	000116103	1	2
000002806	1	3, 5, 6	000121905	1	1
000009009	7	3	000138307	1	2
000009803	7	3	000160102	1	1, 5
000013501	1	4	000192000	3	1
000013800	1	5	102073003	2	4
000013903	1	2	102xxxxxx	1	7
000014007	1	5	102100000	1	7
000014306	1	1	102133002	1	4
000021708	1	4	102141003	3	6
000036201	1	7	102202003	1	7
000037501	1	4	131402005	21	9
000038100	1	4	365032001	1	6
000053008	1	3	365507002	32	4
000060802	1	8	532096007	18	7
000061205	1	1	532184003	1	7
000061319	1	1	540401026	7	9
000066705	1	1	553168006	32	7
000070609	1	3	553245008	1	4, 7
000071013	1	5	601801000	1	7
000075109	1	4	605030002	2	6
000076317	1	1	605065006	1	7
000081005	1	1, 2, 3, 5	605066007	1	7
000097200	1	6	611406002	7	9
000101301	1	4, 5	611411000	12	9
000101404	1	1, 2, 3, 6	611413002	8	9
000101703	1	2	611510000	9	2
000103107	2	1	611511001	8	2

Part No.	Weight (g)	Page	Part No.	Weight (g)	Page
625506109	17	3	735013005	1	1
647034006	99	4	735016307	1	1
647112009	5	2	735023008	69	2
647510001	31	3	735024009	16	2
647515006	12	7	735025000	2	2
647607006	86	6	735026001	49	2
647803004	4	9	735027002	7	2
647808009	4	9	735028003	15	2
648010009	1	5	735029xxx	4	2
650166008	5	8	735030008	7	2
652039007	1	2	735032000	53	3
652205006	8	1	735033001	1	4
652302004	8	1	735038006	1	2
653006101	1	1	735040001	1	2
658019009	26	4	735041002	1	2
670047004	1	3	735049000	146	4
670079005	48	4	735050303	69	4
670100006	3	5	735051005	1	4
670258000	1	3	735052305	12	4
670286007	1	7	735053007	1	4
671021005	25	4	735054008	1	4
672101003	1	4	735055308	1	4
673022002	1	3	735059106	17	7
673290003	2	7	735061008	7	7
678044005	1	3	735062009	18	7
678084007	4	3	735064001	10	4
680043012	1	3	735071001	13	6
680504005	20	3	735073003	1	5
681009101	1	7	735074004	3	5
730006000	1	1	735076006	1	5
730022002	7	3	735077007	2	5
730024004	5	3	735078008	46	6
730025005	1	3	735079009	31	6
730045001	6	5	735080003	16	6
730501000	3	1	735081004	12	6
730503013	36	3	735082005	1	6
731312005	1	4	735083006	1	6
731511006	15	3	735084007	6	6
732105006	1	3	735085008	1	6
735002001	1	1	735086009	26	6

Part No.	Weight (g)	Page	Part No.	Weight (g)	Page
735087000	4	6	739037007	10	8
735088001	3	6	739063002	2	5
735089002	8	6	739064003	1	1
735090006	36	6	739503009	42	8
735119002	32	3	739505001	39	8
735143005	1	4	740003008	41	5
735145007	2	5	740007002	32	3
735232002	287	4	740010008	7	5
735233003	20	7	740011009	16	5
735234004	16	7	740022003	6	1
735236006	87	7	740042009	1	5
735239009	1	7	740602209	58	5
735276008	7	6	740618002	52	3
735284009	33	4	741001102	378	1
735501005	17	5	741004002	52	7
735504008	15	3	741005003	109	1
735507001	69	4	741006004	1	1
735604xxx	173	2	741006107	1	1
735605103	61	3	741006200	1	1
735608302	85	4	741008006	6	2
735610008	215	7	741009007	29	5
735612000	103	6	741010001	16	5
735613001	36	6	741021005	13	5
735616107	4	1	741022006	13	5
735636000	531	4	741023007	301	1
735636103	531	4	741024008	3	1
735801008	3	9	741025009	1	1
736007009	1	1	741025102	1	1
736015000	10	5	741026000	1	1
736066006	33	4	741027001	4	1
736604105	83	5	741028002	5	1
737801015	2	9	741029003	57	8
739004005	28	1	741030007	1	5
739005006	69	1	741031008	1	5
739015009	1	2	741031101	1	5
739016000	7	2	741031204	1	5
739017001	4	2	741032102	1	1
739019003	1	2	741033000	7	1
739020007	8	5	741036003	1	5
739022009	6	6	741037004	3	1

Part No.	Weight (g)	Page	Part No.	Weight (g)	Page
741040000	1	5			
741041001	3	1			
741042002	1	1			
741501004	205	1			
741601005	426	1			
741602006	113	1			
741602109	113	1			
741602202	113	1			
741603007	64	2			
741604008	10	2			
741605009	473	5			
741605102	473	5			
741606000	325	1			
741606103	325	1			
741607001	473	5			
741608002	314	1			
741800006	260	9			
741800017	345	9			
741800028	345	9			
741800039	345	9			
741812001	2	9			
761052007	1	4			
801506008	5	3			
802108009	1	3			
820832005	10	9			
822070003	1	7			
822532008	4	1			
827099016	1	1			
830312016	1	1			

PIECES DE RECHANGE SUPPLEMENTAIRES - Nouvelle version
ZUSAETZLICHE ERSATZTEILE - Neue Version
SUPPLEMENTARY SPARE PARTS - New version
PIEZAS DE RECAMBIO SUPLEMENTARIAS - Nueva versión

2002

2004

2006

as from serial No.

0008053.J1-P28

0010295.J2-P28

0007065.J3-P28

No.	Part No.	Tavaro No.	Name of part
<u>Page 1</u>			
15	741606309	395712-84	Front cover unit (2004)
	741608105	395712-85	Front cover unit (2002)
32	741602305	395712-86	Face plate unit (2002)
36	741006303	395712-87	Ornamental plate (2002)
44	741055008	395712-88	Ornamental plate (2006)
	741046006	395712-89	Ornamental plate (2004)
	741051004	395712-90	Ornamental plate (2002)
<u>Page 5</u>			
11	741611101	395712-91	Zigzag mechanism unit (2004)
	741607104	395712-92	Zigzag mechanism unit (2002)
16	741049009	395712-93	Pattern ind. plate (2004)
	741050003	395712-94	Pattern ind. plate (2002)
<u>Page 9</u>			
14	674401002	395710-21	Blind hemming guide