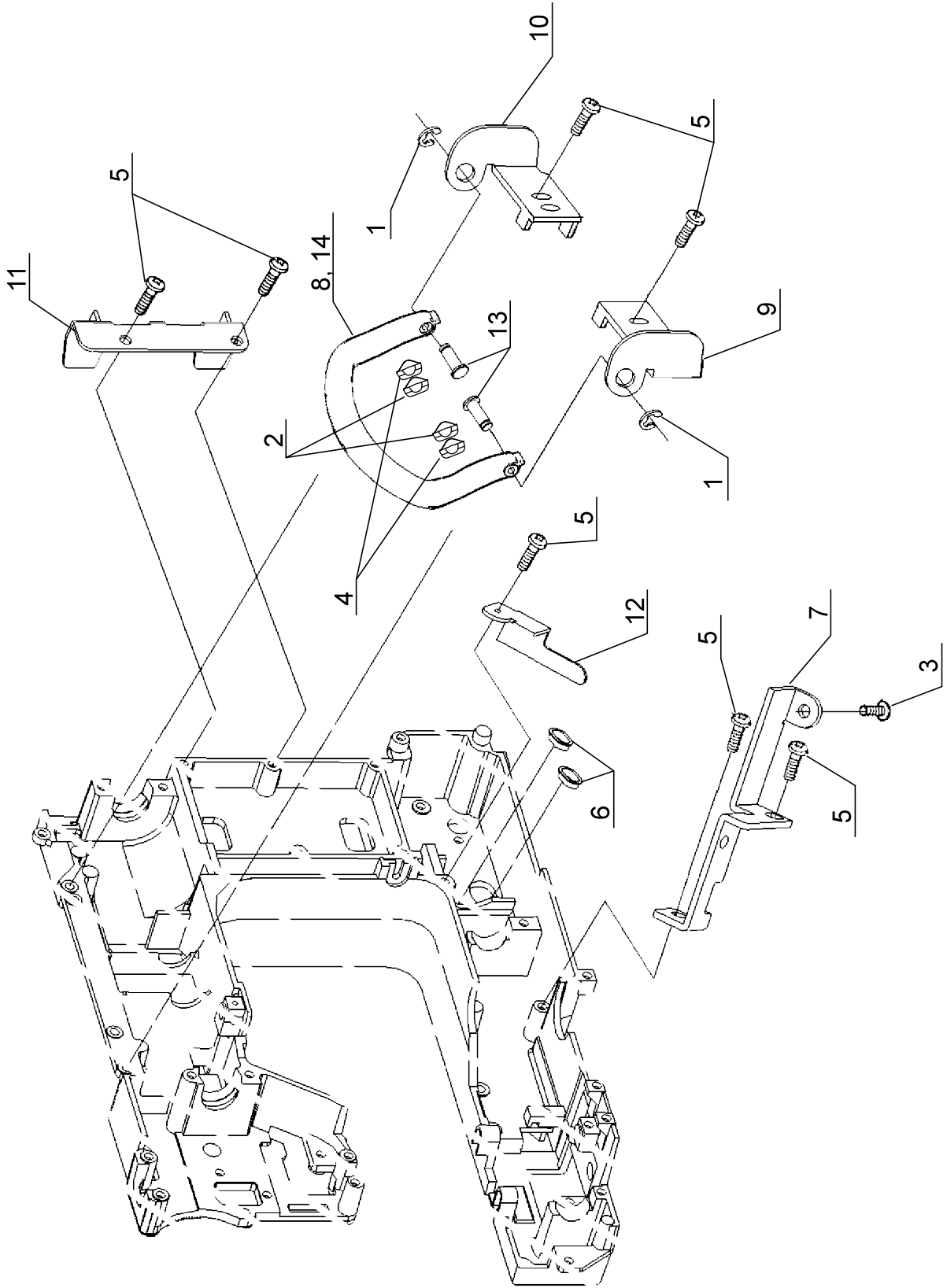




160th, 8768, 90S, ONE,
70, ONE PLUS,
8748

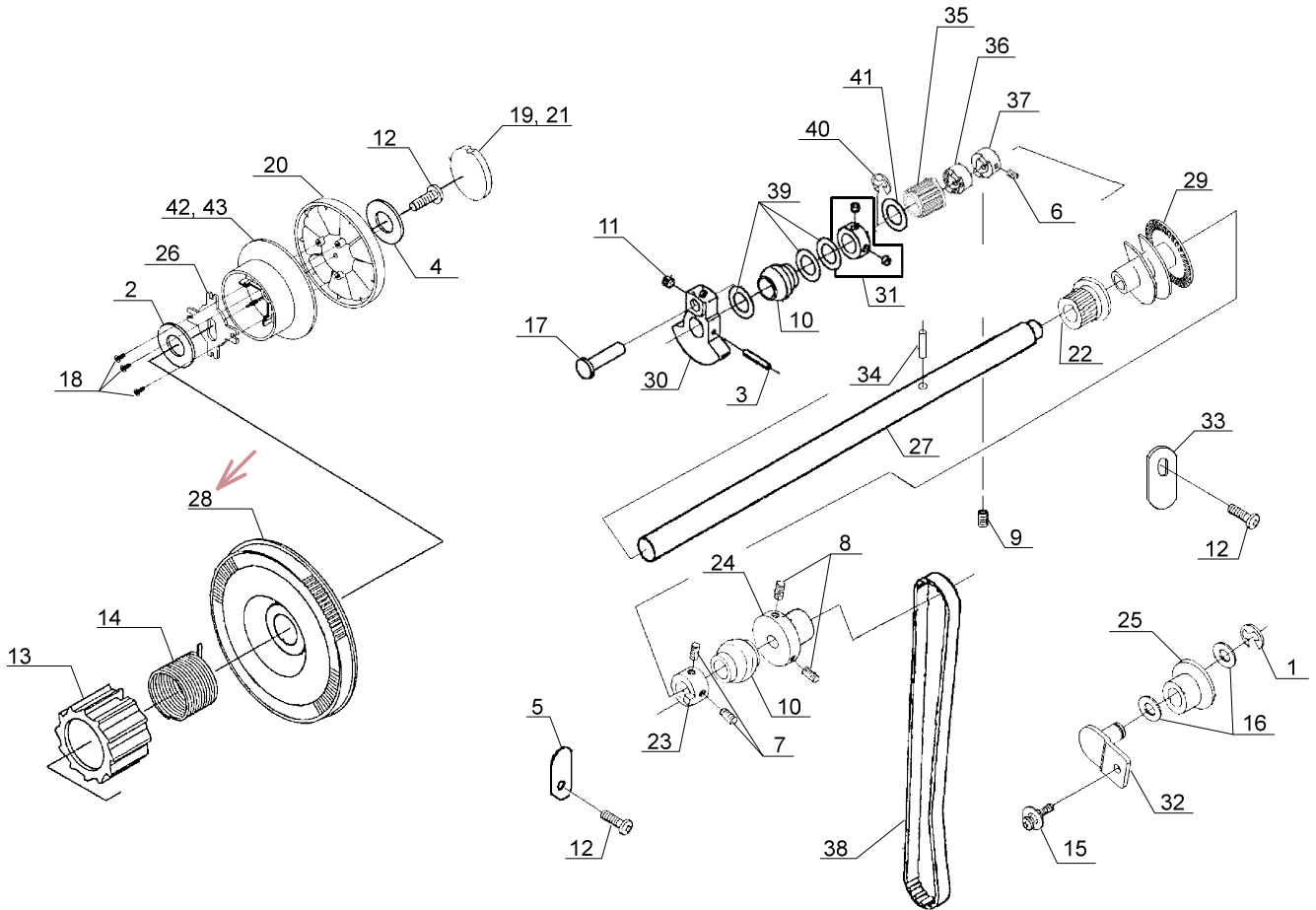
Liste de pièces
Lista de Piezas
Parts List

A



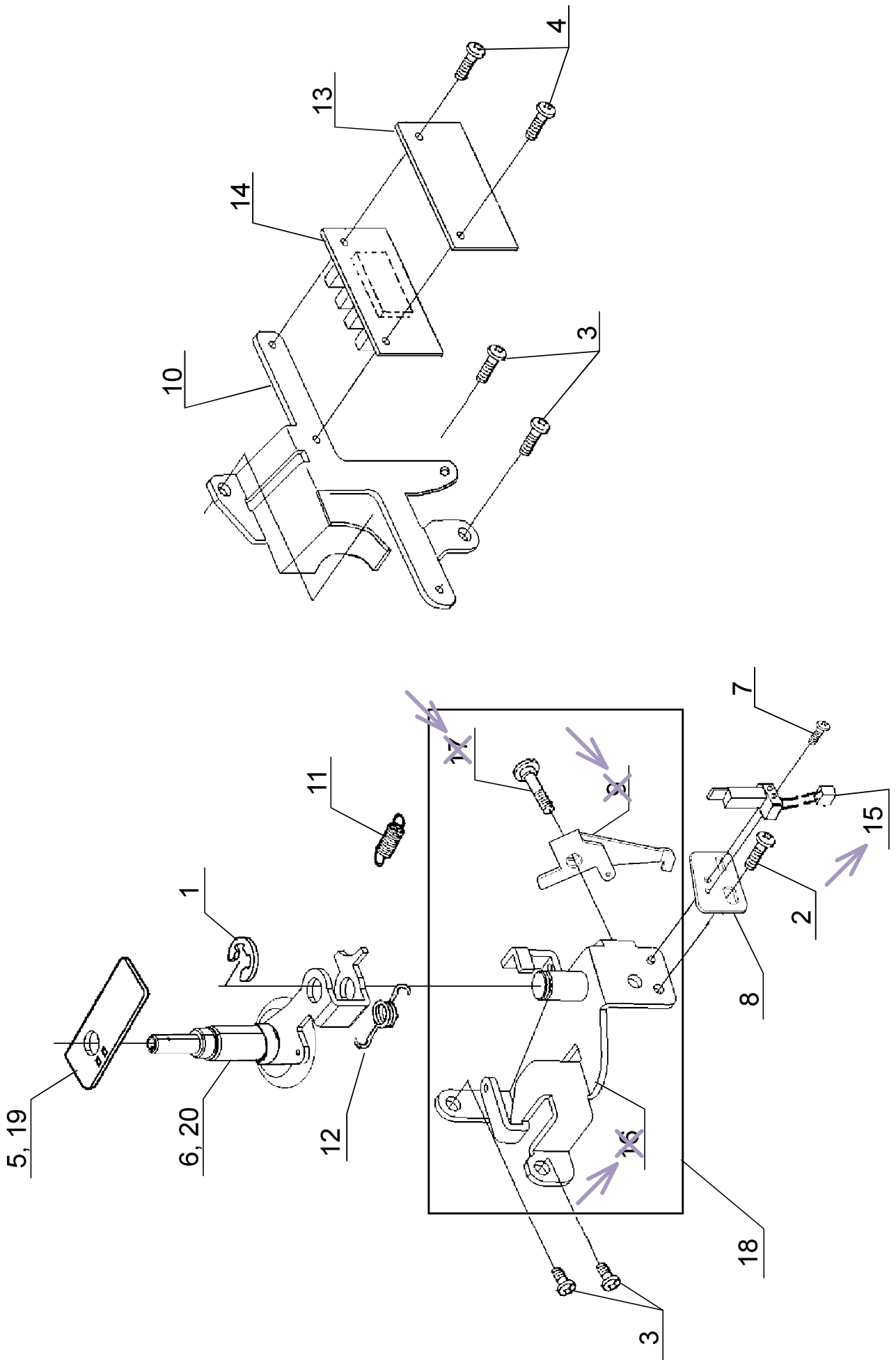
<u>Pos</u>	<u>Part No</u>	<u>Description</u>
1	270 001513	E4 CLIP-ON-WASHER
2	270 032949	WASHER
3	270 061224	M4 PHILIPS SCREW
4	270 061381	CRINKLE WASHER
5	270 077042	M4 PHILLIPS SCREW
6	270 080070	CORD GUIDE
7	416557601	BRACKET
8	416502101	HANDLE (160, 8768)
9	416502201	HANDLE BRACKET (L)
10	416502301	HANDLE BRACKET (R)
11	416502401	BRACKET
12	270 087156	BRACKET
13	270 087216	PIN
14	416664701	HANDLE (1,70,1+)

B

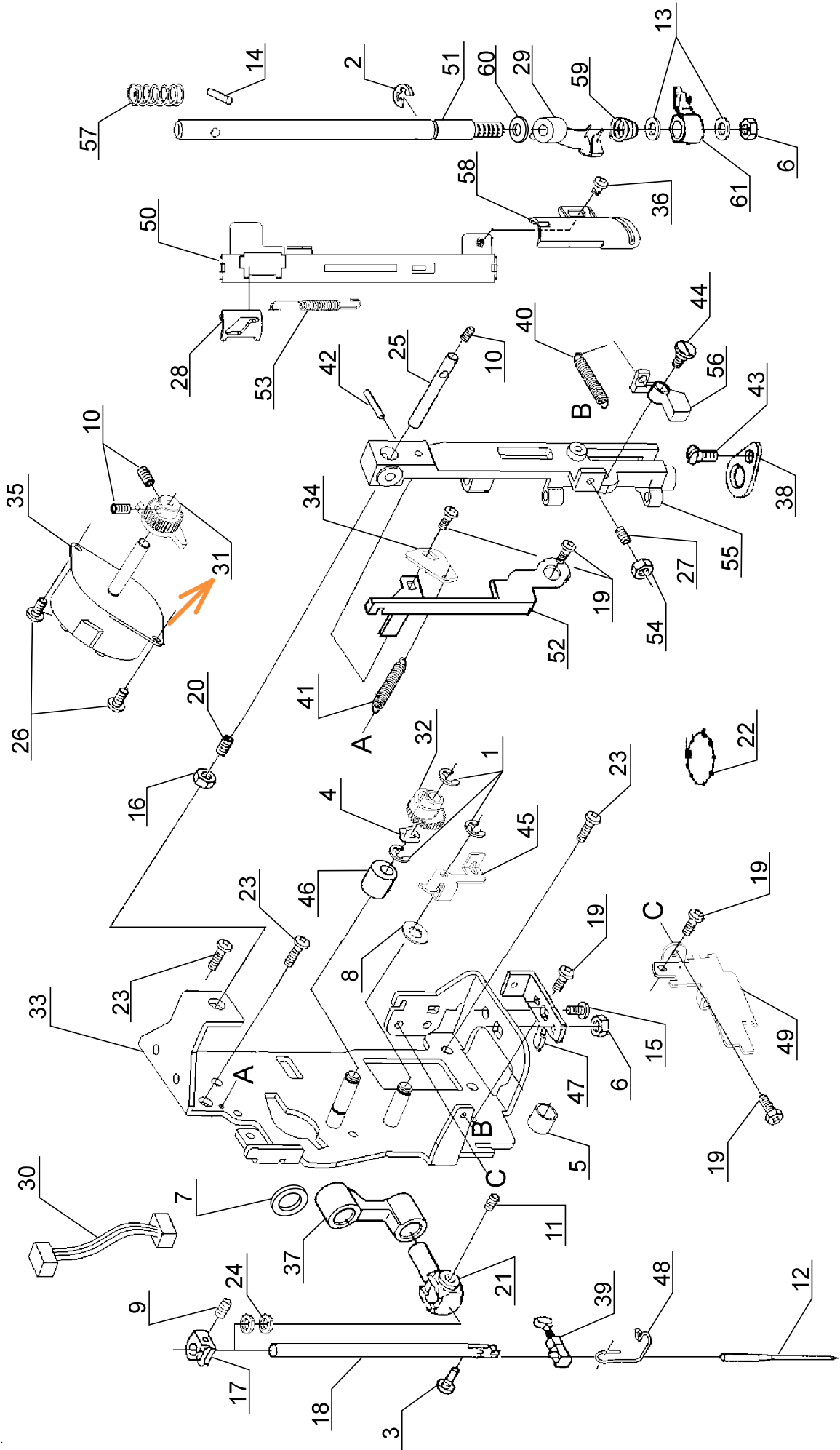


Pos	Part No	Description
1	270 010963	E6 CLIP-ON-WASHER
2	270 043389	THRUST WASHER
3	270 043930	SPRING PIN
4	270 053403	WASHER
5	270 066235	SECURING PLATE
6	270 066474	M5 SCREW
7	270 066725	M4 SCREW
8	270 066727	M4 SCREW
9	270 067447	M5 SCREW
10	270 068152	BALL BUSH
11	270 073371	M6 SCREW
12	270 073434	M4 PHILIPS SCREW
13	270 075047	CLUTCH
14	270 075194	TORSION SPRING
15	270 075274	M4 PHILIPS SCREW
16	270 077056	WASHER
17	416502501	HEADED PIN
18	416435101	TAPPING SCREW
19	270 087288	PULLEY CAP (1, 70, 1+)
20	416502701	PULLEY RING
21	416502801	PULLEY CAP (160th 8768, 90S, 8748)
22	416503001	UPPER TIMING BELT GEAR
23	270 085013	POSITIONING COLLAR
24	270 085046	COLLAR
25	270 085138	TENSION ROLLER
26	270 085217	RETAINER
27	270 087200	MAIN SHAFT
28	68013652	BELT PULLEY
29	270 087241	ENCODER
30	416664901	BALANCER
31	416531201	COLLAR
32	416548301	IDLER PULLEY BRACKET
33	416555601	SECURING PLATE
34	416433401	SPRING PIN
35	416558601	MAIN SHAFT SCREW GEAR
36	416665101	COUPLING
37	416665201	MAIN SHAFT SCREW GEAR FIXING RING
38	416433601	TIMING BELT
39	68009434	WASHER
40	416826701	E9 CLIP-ON-WASHER
41	270 074358	WASHER
42	416502601	PULLEY (160th, 8768)
43	416545401	PULLEY (1, 70, 1+)

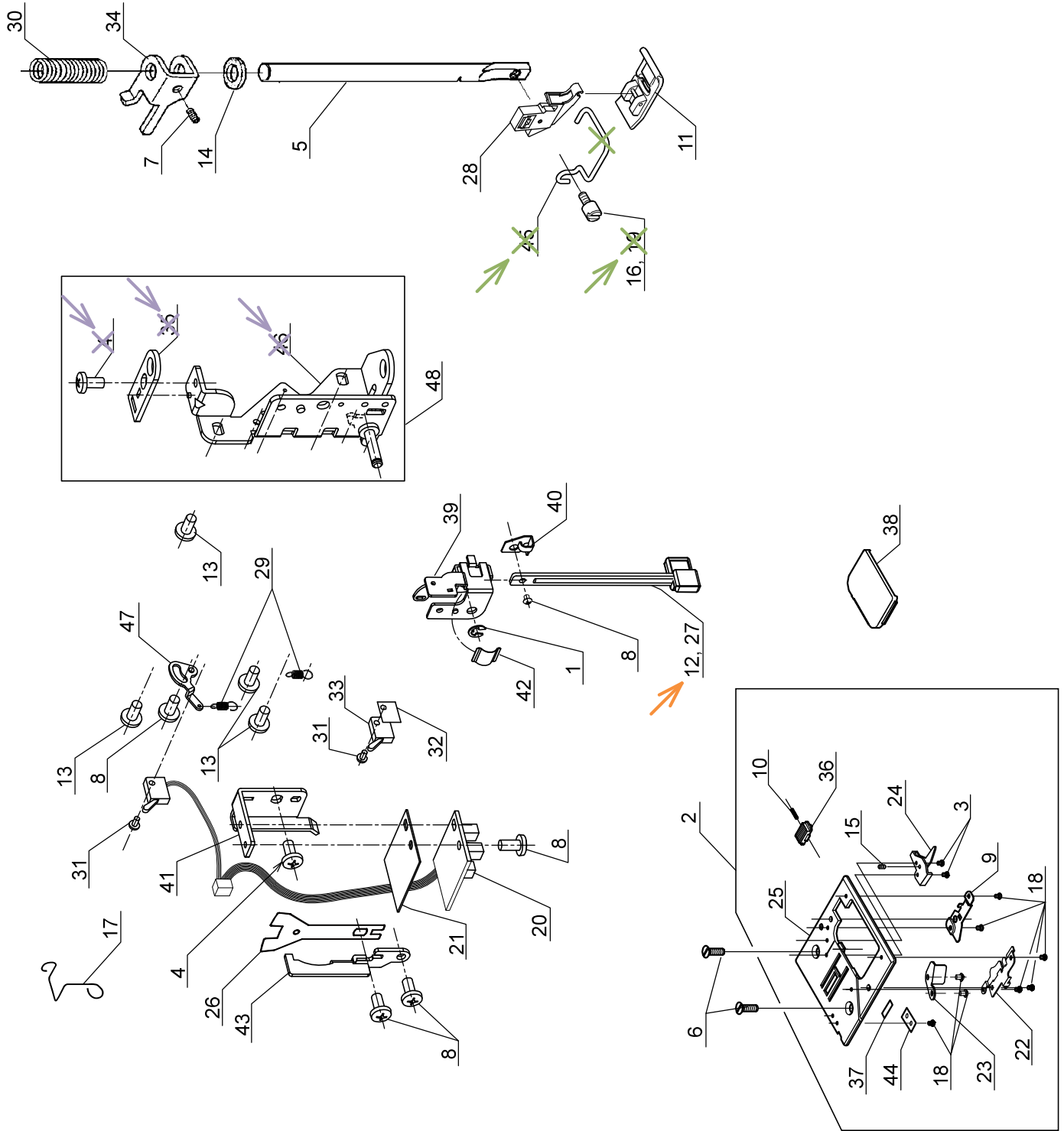
C



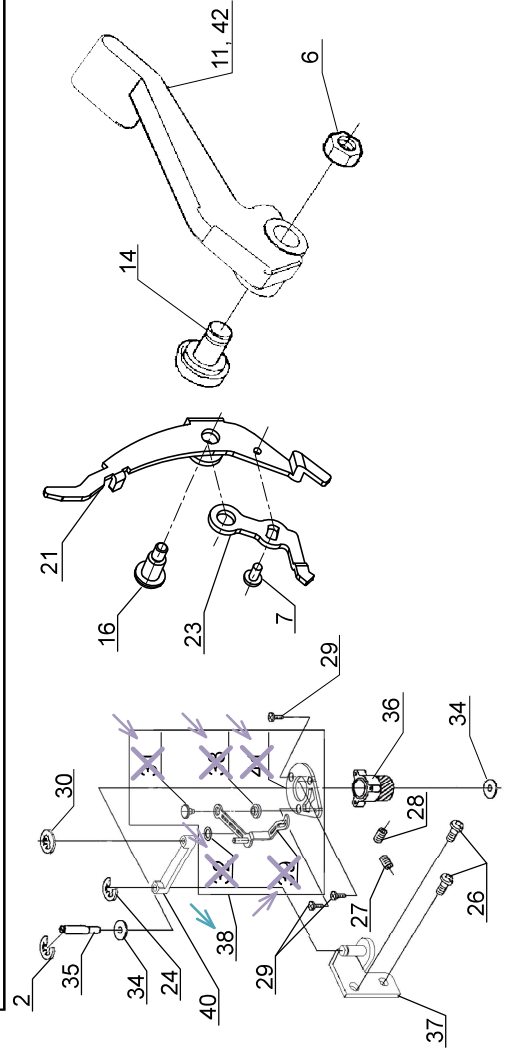
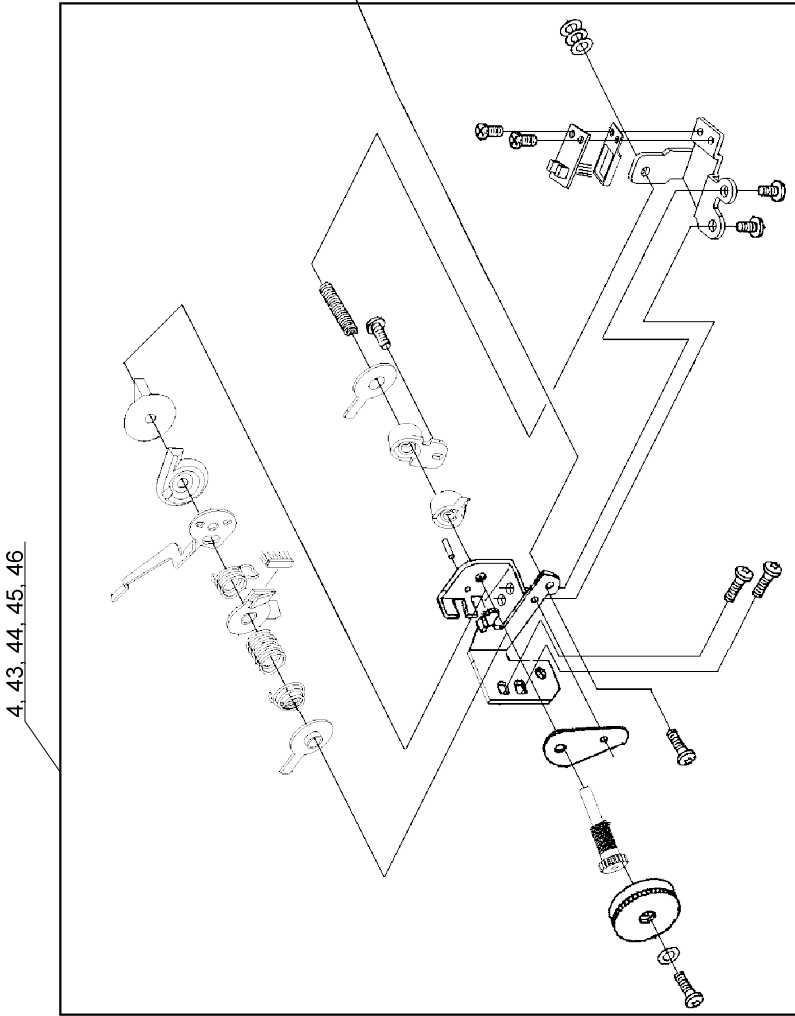
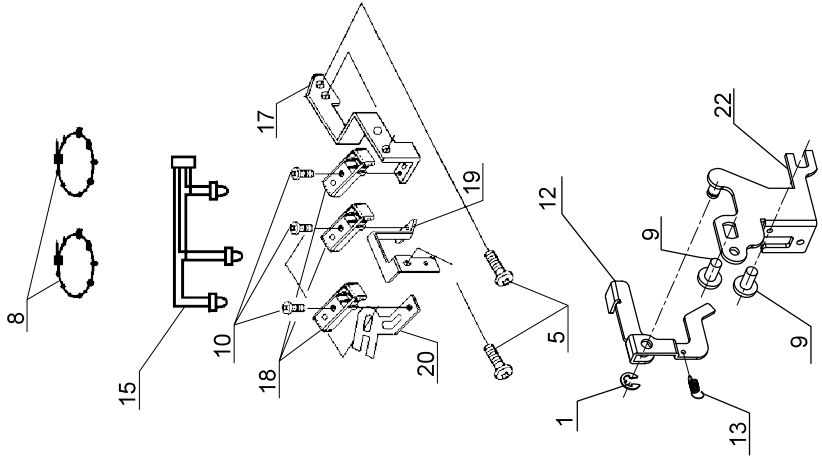
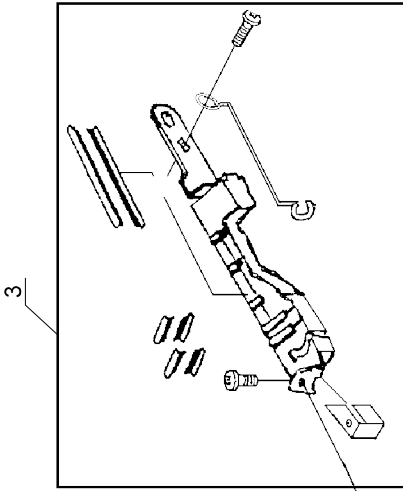
<u>Pos</u>	<u>Part No</u>	<u>Description</u>
1	270 010963	E6 CLIP-ON-WASHER
2	270 073900	M3 PHILIPS SCREW
3	270 077042	M4 PHILLIPS SCREW
4	270 077053	M3 PHILIPS SCREW
5	416503101	PLATE (160th, 8768, 90S, 8748)
6	416503201	BOBBIN WINDER UNIT (160th, 8768, 90S, 8748)
7	270 085274	M2 SCREW
8	416665301	MOUNTING BRACKET
9		
10	270 087139	MOUNTING BRACKET
11	270 087180	EXTENSION SPRING
12	270 087182	TORSION SPRING
13	270 087242	INSULATION SHEET
14	270 087527	PHOTO SENSOR CIRCUIT BOARD
15	416461401	SWITCH HARNESS
16		
17		
18	416665601	BOBBIN WINDER BRACKET UNIT
19	416559601	PLATE (1, 70, 1+)
20	270 088339	BOBBIN WINDER UNIT (1, 70, 1+)



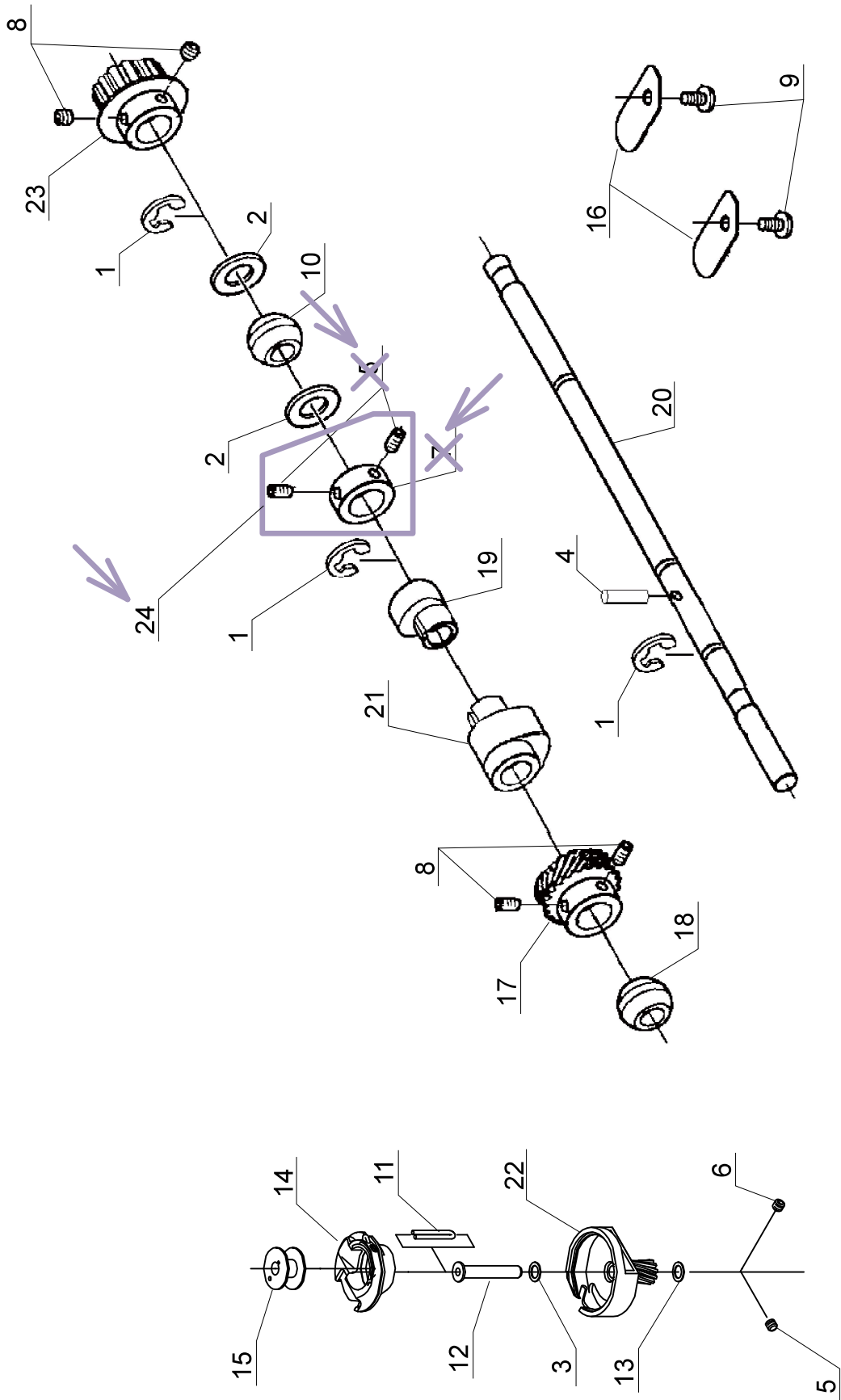
Pos	Part No	Description
1	270 001513	E4 CLIP-ON-WASHER
2	270 001520	E3 CLIP-ON-WASHER
3	270 026934	#8 SCREW
4	270 028735	CRINKLE WASHER
5	270 087266	TUBE
6	270 031733	M3 NUT
7	270 043390	THRUST WASHER
8	270 053321	THRUST WASHER
9	270 064359	M4 SCREW
10	270 064653	M3 SCREW
11	270 066725	M4 SCREW
12		NEEDLE
13	270 063805	WASHER
14	270 068343	PIN
15	270 072367	M4 CP SCREW
16	270 073299	M4 TORQUE NUT
17	270 075024	STOPPER
18	270 076183	NEEDLE BAR
19	270 080110	M3 PHILIPS SCREW
20	270 076324	M4 SCREW
21	270 077037	NEEDLE BAR CLAMP
22	270 077041	UNITY FASTENER
23	270 077042	M4 PHILLIPS SCREW
24	270 077043	FELT
25	270 080095	STRAIGHT PIN
26	270 080110	BOLT
27	416514001	M3 SCREW
28	416503401	THREAD GUIDE C
29	270 080297	TWIN THREADING HOOK SET
30	416503501	SWITCH HARNESS FOR ZIGZAG
31	68013669	PINION GEAR
32	416503701	ZIGZAG CAM WITH GEAR
33	416503801	NEEDLE BAR SUPPORT BRACKET
34	416504401	SECURITING PLATE
35	68013677	STEPPING MOTOR
36	270 087256	M3 SCREW
37	416555901	NEEDLE BAR CRANK
38	270 087111	NEEDLE BAR SWING BRACKET
39	270 087154	NEEDLE CLAMP SET
40	270 087183	SPRING
41	270 087188	SPRING
42	270 087207	STRAIGHT PIN
43	270 087211	M3 SCREW
44	270 087214	M3 SHOULDER SCREW
45	270 087245	BELL CLANK FOR ZIGZAG
46	270 087265	SPACER
47	270 087726	NEEDLE BAR ADJUSTING PLATE
48	270 088089	THREAD GUIDE
49	270 088317	THREAD GUIDE PLATE
50	416503901	THREAD GUIDE A
51	416504001	THREADER SHAFT
52	416504101	THREADER POSITIONING PLATE
53	416504201	EXTENSION SPRING
54	416514101	M3 AR NUT
55	416504301	NEEDLE BAR SUPPORT
56	416462001	ECCENTRIC CAM
57	416438301	COMPRESSION SPRING
58	416438401	THREAD GUIDE B
59	270 088432	SPRING
60	270 088433	WASHER
61	416438501	THREADER ASSEMBLY



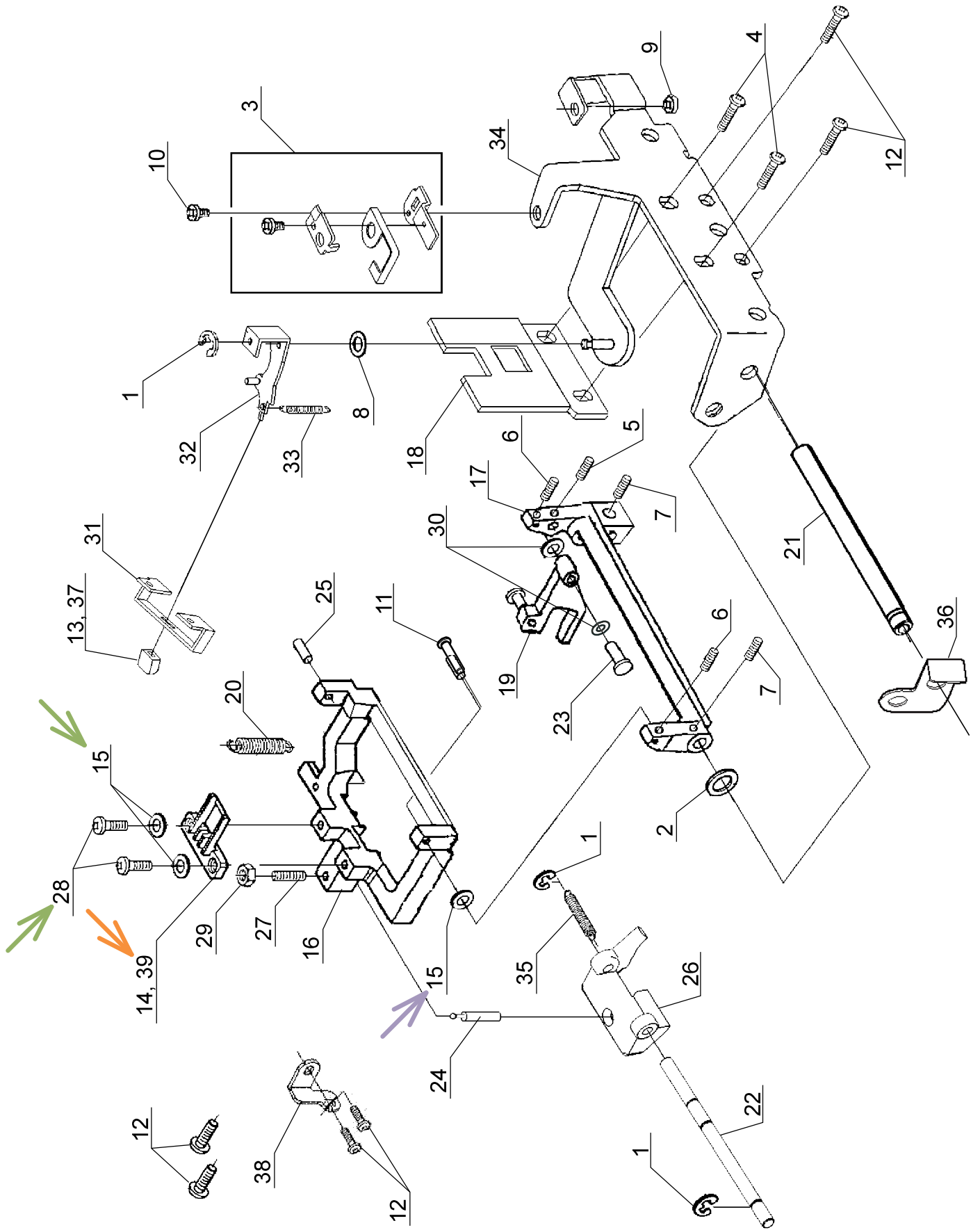
Pos	Part No	Description
1	270 001520	E3 CLIP-ON-WASHER
2	416504601	NEEDLE PLATE SET
3	270 056858	M2 PHILIPS SCREW
4	270 061221	M4 PHILIPS SCREW
5	270 063278	PRESSER BAR
6	270 064051	M4 SCREW
7	270 066727	M4 SCREW
8	270 073900	M3 PHILIPS SCREW
9	270 076114	COVER GUIDE (R)
10	270 076159	COMPRESSION LEVER
11	270 076251	ZIGZAG PRESSER FOOT
12	68013596	BH PLATE (A) (1, 70, 1+)
13	270 077042	M4 PHILLIPS SCREW
14	270 077043	FELT
15	270 079491	SCREW
16	270 080065	#7 SCREW FOR SHANK
17	270 080079	CORD GUIDE
18	270 080096	M2 PHILIPS SCREW
19		
20	416504701	BUTTON HOLE STITCH SENSOR HARNESS
21	416504801	INSULATION SHEET
22	416504901	COVER GUIDE (L)
23	416505001	THREAD CONTROL PLATE
24	416505101	THREAD CONTROL PLATE
25	416665701	NEEDLE PLATE
26	416505201	BH CANTILEVER
27	68013682	BH PLATE (A) (160th, 8768, 90S, 8748)
28	270 085016	PRESSER FOOT HOLDER
29	270 085064	SPRING
30	270 085065	COMPRESSION SPRING
31	270 085262	M2 SCREW
32	270 085332	SPACER
33	416665801	PRESSER FOOT POSITIONNING HARNESS
34	270 087114	PRESSURE BAR GUIDE
35		
36	270 087234	RELEASE LEVER
37	270 087766	BLADE
38	270 087340	NEEDLE COVER PLATE
39	270 087679	BH PLATE (B)
40	270 087680	BH PLATE (C)
41	270 087693	BH PALTE
42	270 087694	LEAF SPRING
43	270 087695	BH CANTILEVER SUPPORT
44	416505401	BLADE PALTE
45		
46		
47	416440301	SWITCH DOG ADJUSTMENT PLATE
48	416505501	PRESSURE BAR GUIDE



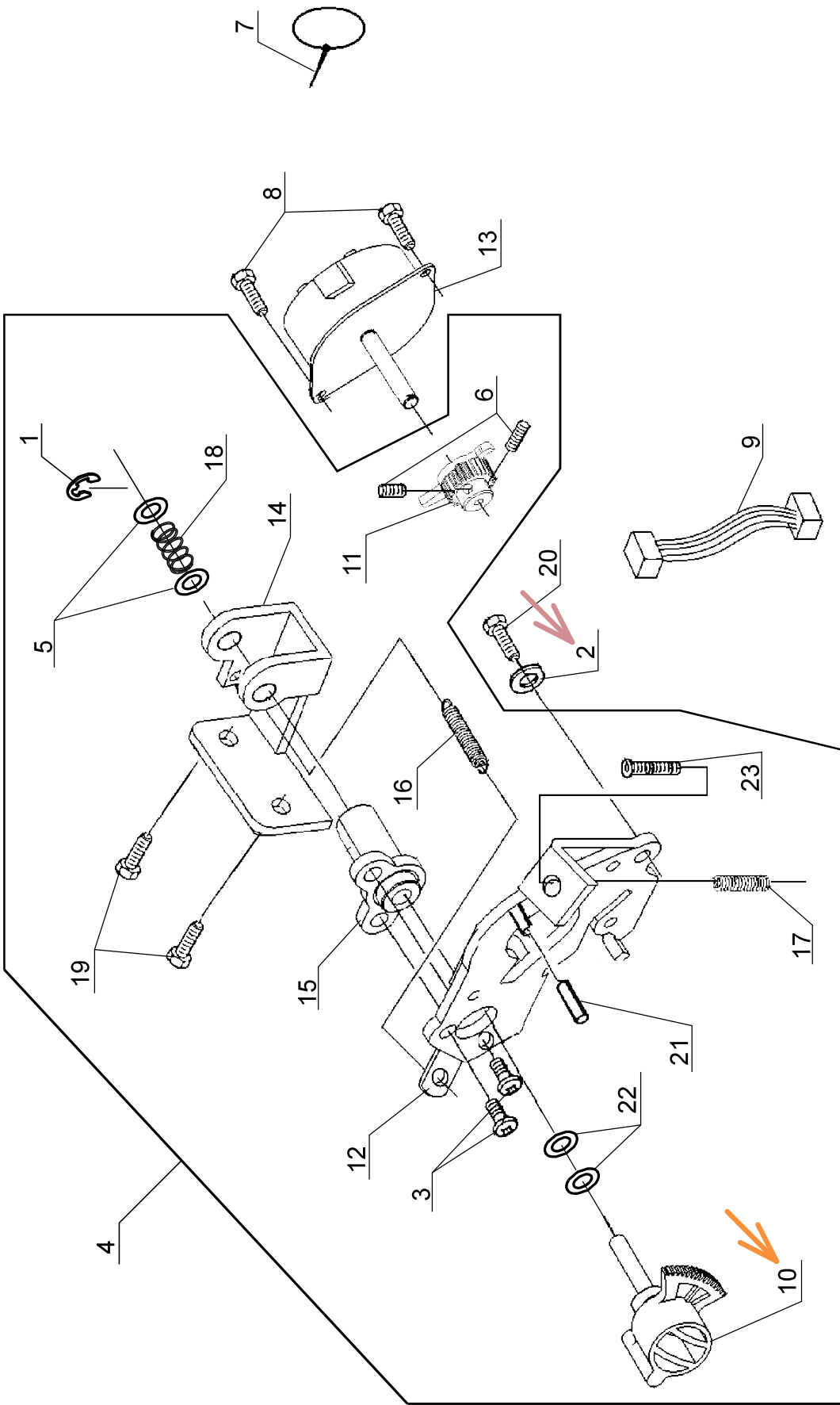
<u>Pos</u>	<u>Part No</u>	<u>Description</u>
1	270 001520	E3 CLIP-ON-WASHER
2	270 008400	E5 CLIP-ON-WASHER
3	270 052002	THREAD GUIDE PLATE ASSY
4	68009435	TENSION ASSY (90S, 8748)
5	270 061222	M4 PHILIPS SCREW
6	270 062215	M4 NUT
7	415404701	M3 PHILIPS SCREW
8	270 077041	UNITY FASTENER
9	270 077042	M4 PHILLIPS SCREW
10	270 077057	M3 PHILIPS SCREW
11	270 087806	PRESSER FOOT LIFTER (1, 70, 1+)
12	416506001	THREAD REGULATOR RELEASE LEVER
13	270 085064	EXTENSION SPRING
14	270 087212	M4 SCREW
15	270 087623	LED LIGHT
16	416440401	M4 STUD SCREW
17	416506101	THREAD GUIDE PLATE
18	270 088314	LED LIGHT COVER
19	270 088315	LED LIGHT COVER BRACKET
20	270 088316	LED LIGHT COVER BRACKET
21	416506201	TENSION RELEASE LEVER
22	416506301	THREAD REGULATOR RELEASE LEVER BASE
23	416506401	PRESSER SWITCH DOG
24	270 001513	E4 CLIP-ON-WASHER
25		
26	270 075274	M4 PHILIPS SCREW
27	270 062307	M4 SCREW
28	270 066052	M4 SCREW
29	416435101	TAPPING SCREW
30	270 077507	CLIP-ON-WASHER
31		
32		
33		
34	416558001	WASHER
35	416435601	LOWER SHAFT
36	416435701	GEAR
37	416558401	TAKE-UP LEVER SUPPORT
38	68013684	TAKE-UP LEVER UNIT
39		
40	416435901	TAKE-UP LEVER ARM
41		
42	416505901	PRESSER FOOT LIFTER (160th, 8768, 90S, 8748)
43	416505801	TENSION ASSY (160th)
44	68013685	TENSION ASSY (8768)
45	416548101	TENSION ASSY (1, 1+)
46	416769301	TENSION ASSY (70)



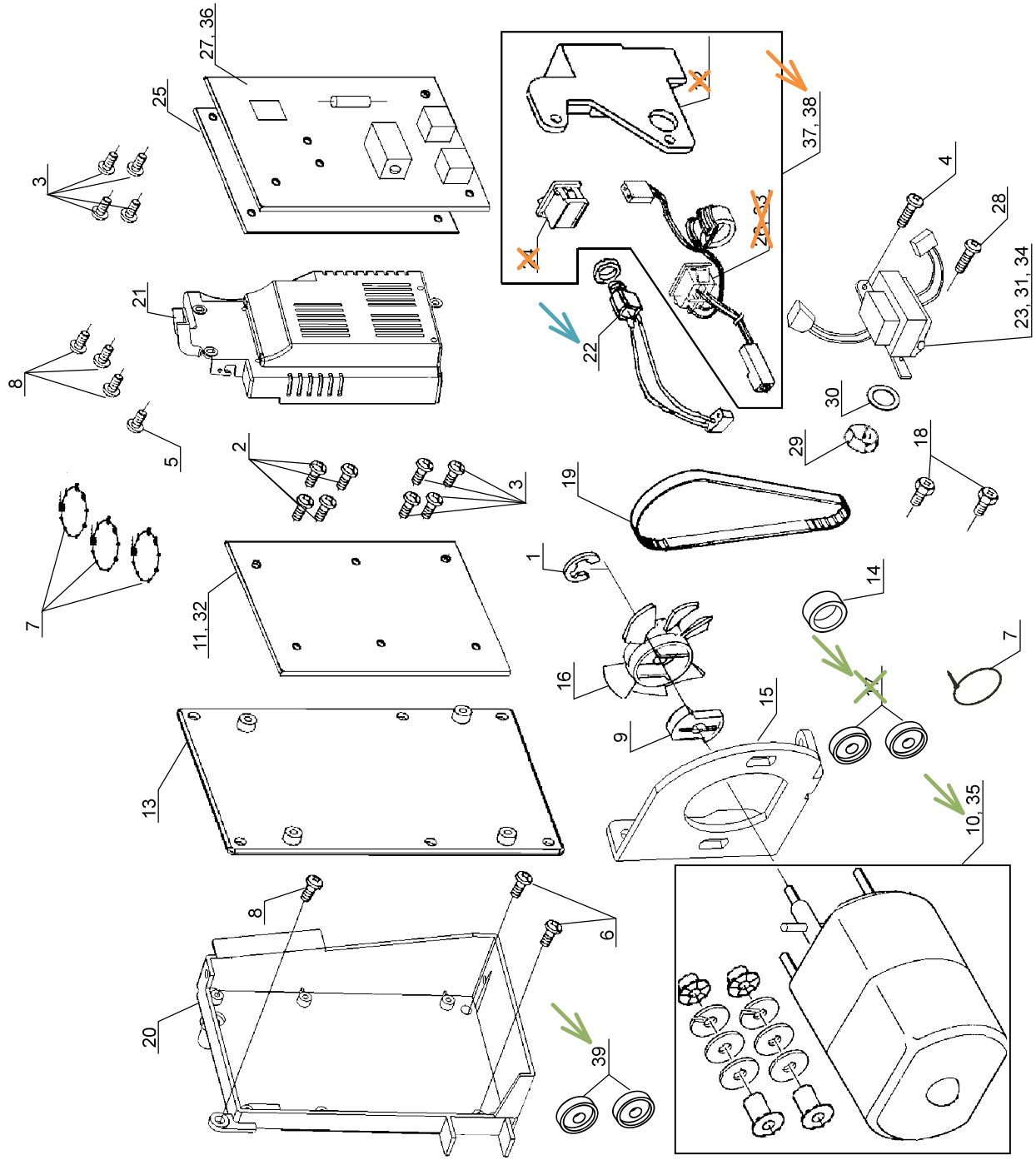
Pos	Part No	Description
1	270 010963	E6 CLIP-ON-WASHER
2	270 043390	THRUST WASHER
3	270 043392	THRUST WASHER
4	270 064179	SPRING PIN
5	270 066725	M4 SCREW
6	270 066727	M4 SCREW
7		
8	270 067447	M5 SCREW
9	270 073434	M4 PHILIPS SCREW
10	270 076141	BALL METAL
11	270 076203	OILING CORD
12	270 080078	SHUTTLE RACE SHAFT
13	416514601	WASHER
14	68009436	BOBBIN CASE
15	270 085128	BOBBIN
16	270 085247	SECURING PLATE
17	416434001	BEVEL GEAR
18	270 087170	BALL METAL
19	270 087228	FEED CAM
20	270 088114	LOWER STRAIGHT SHAFT
21	270 088115	LIFTING CAM
22	416444301	SHUTTLE RACE UNIT
23	416434701	LOWER SHAFT BELT PULLEY
24	416534301	COLLAR SET



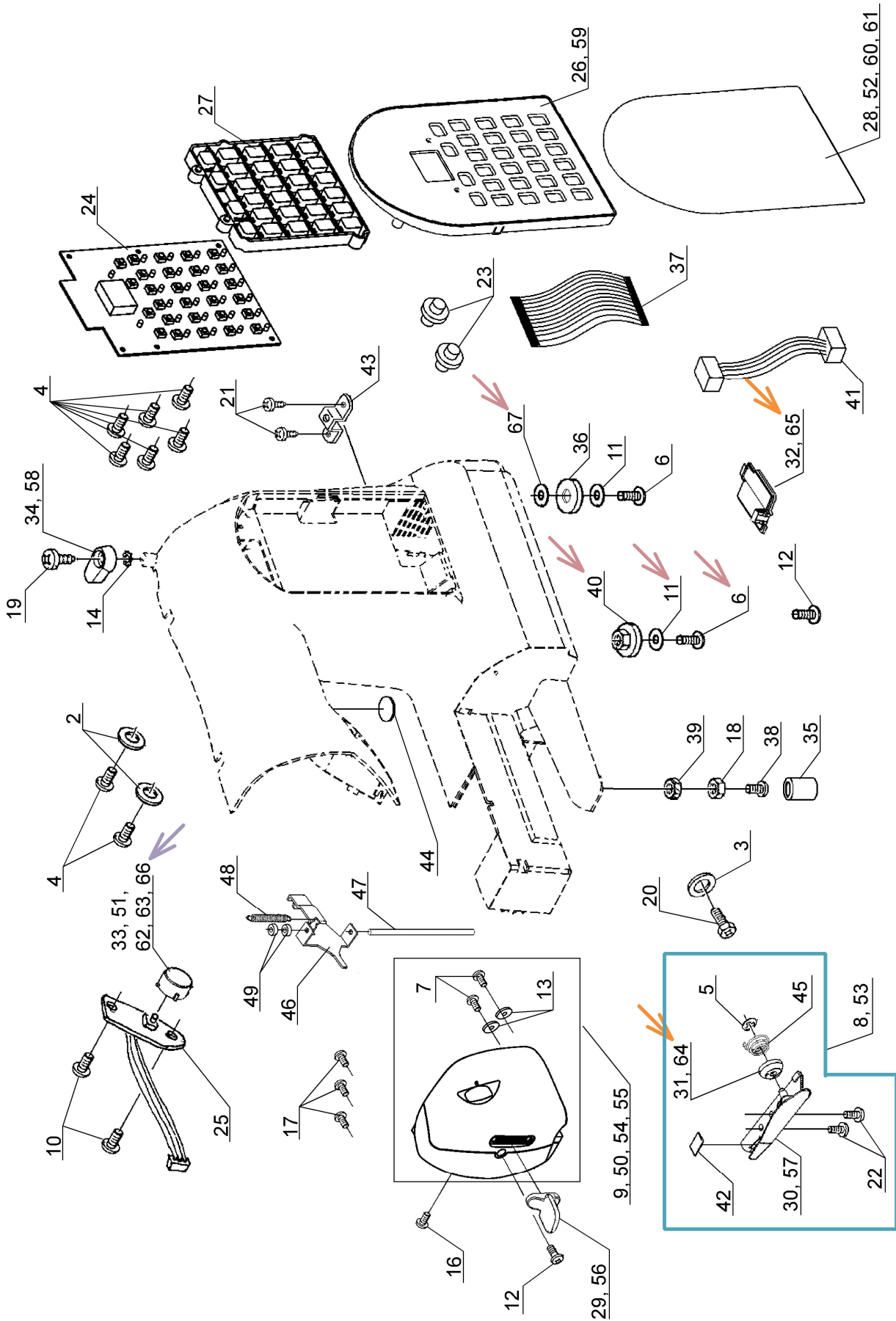
Pos	Part No	Description
1	270 001520	E3 CLIP-ON-WASHER
2	270 032949	WASHER
3	270 051058	RETAINER SET
4	270 061221	M4 PHILIPS SCREW
5	270 061333	M4 SCREW
6	270 064653	M3 SCREW
7	270 066725	M4 SCREW
8	270 072858	WASHER
9	270 073299	M4 TORQUE NUT
10	270 073900	M3 PHILIPS SCREW
11	270 076132	SHAFT
12	270 077042	M4 PHILLIPS SCREW
13	416506601	DROP KNOB (160th, 8768, 90S, 8748)
14	68009437	FEED DOG (160th, 8768, 1+, 90S, 8748)
15	270 063805	WASHER
16	270 087103	FEED DOG BASE
17	270 087104	FEED DOG BASE SUPPORT
18	270 087122	SUPPORT PLATE
19	270 087174	FORKED CRANK
20	270 087186	TORSION SPRING
21	270 087202	SHAFT
22	270 087203	SHAFT
23	270 087206	PIN
24	270 087208	BALL HEADED PIN
25	270 087210	PIN
26	270 087226	VERTICAL FEED BLOCK
27	270 087232	M6 STUD SCREW
28	270 072274	M3 CP SCREW
29	270 087268	M6 NUT
30	270 087269	WASHER
31	270 087422	DROP GUIDE
32	270 087423	DROP LEVER
33	270 087424	TORSION SPRING
34	270 087426	SECURING BRACKET
35	270 087433	TORSION SPRING
36	416506801	SECURING PLATE
37	270 087425	DROP KNOB (1, 70, 1+)
38	68013688	FEED BASE FIXING BRAKET
39	416769401	FEED DOG (1, 70)



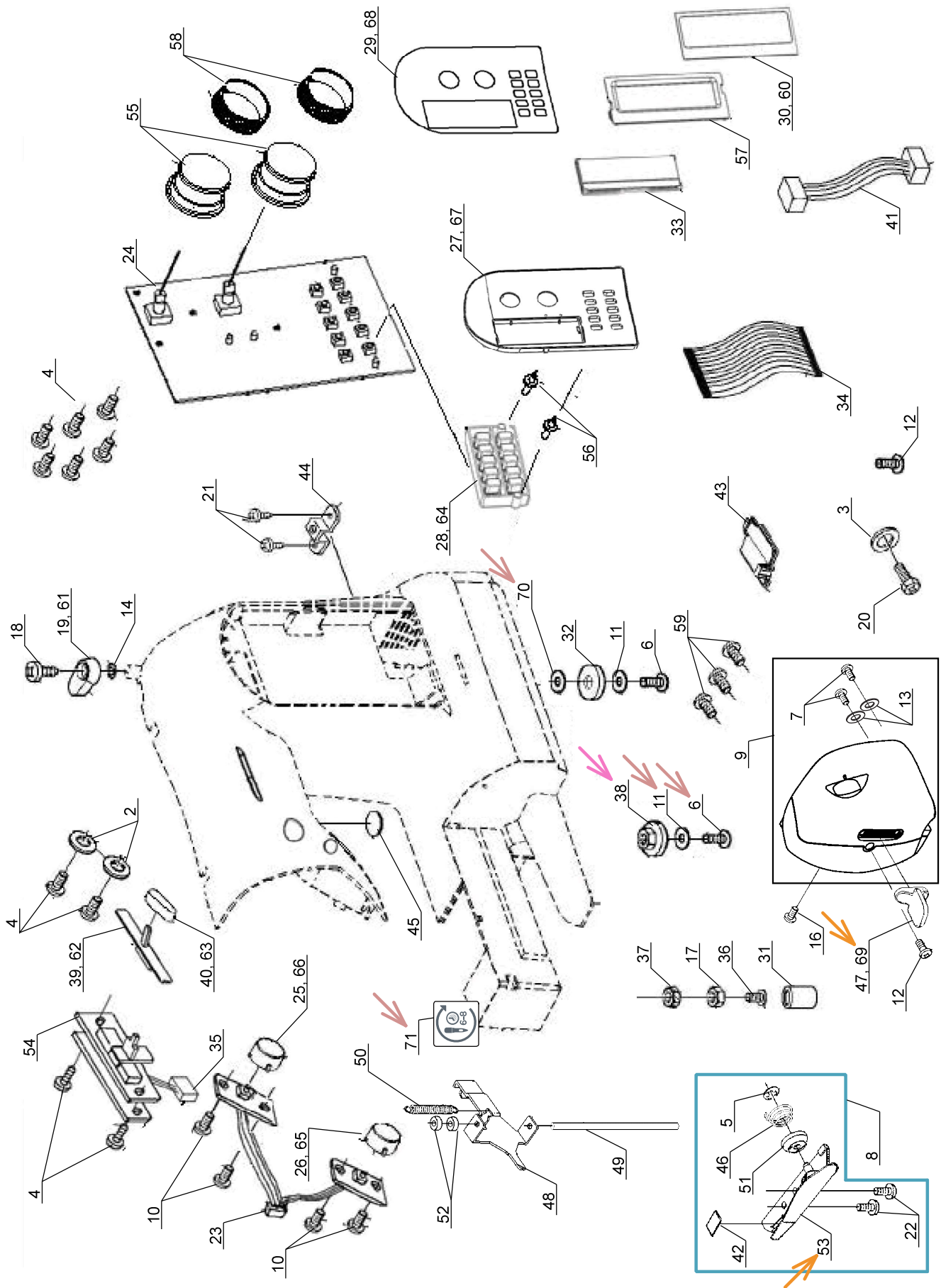
Pos	Part No	Description
1	270 001513	E4 CLIP-ON-WASHER
2	270 025670	WASHER
3	416442801	M3 PHILIPS SCREW
4	416506901	FEED REGULATOR UNIT
5	270 059221	WASHER
6	270 064653	M3 SCREW
7	270 077041	UNITY FASTENER
8	270 080110	BOLT
9	416507001	SWITCH HARNESS
10	68013689	FEED REGULATOR
11	416666001	PINION GEAR
12	416666101	STEPPING MOTOR BRACKET
13	68013677	STEPPING MOTOR
14	270 087146	BRACKET
15	270 087178	FEED REGULATOR SHAFT METAL BUSH
16	270 087188	SPRING
17	270 087189	COMPRESSION SPRING
18	270 087191	COMPRESSION SPRING
19	416821901	CP BOLT
20	270 087262	M3 CP SCREW
21	270 087273	PIN
22	270 087274	WASHER
23	270 087668	M4 BOLT



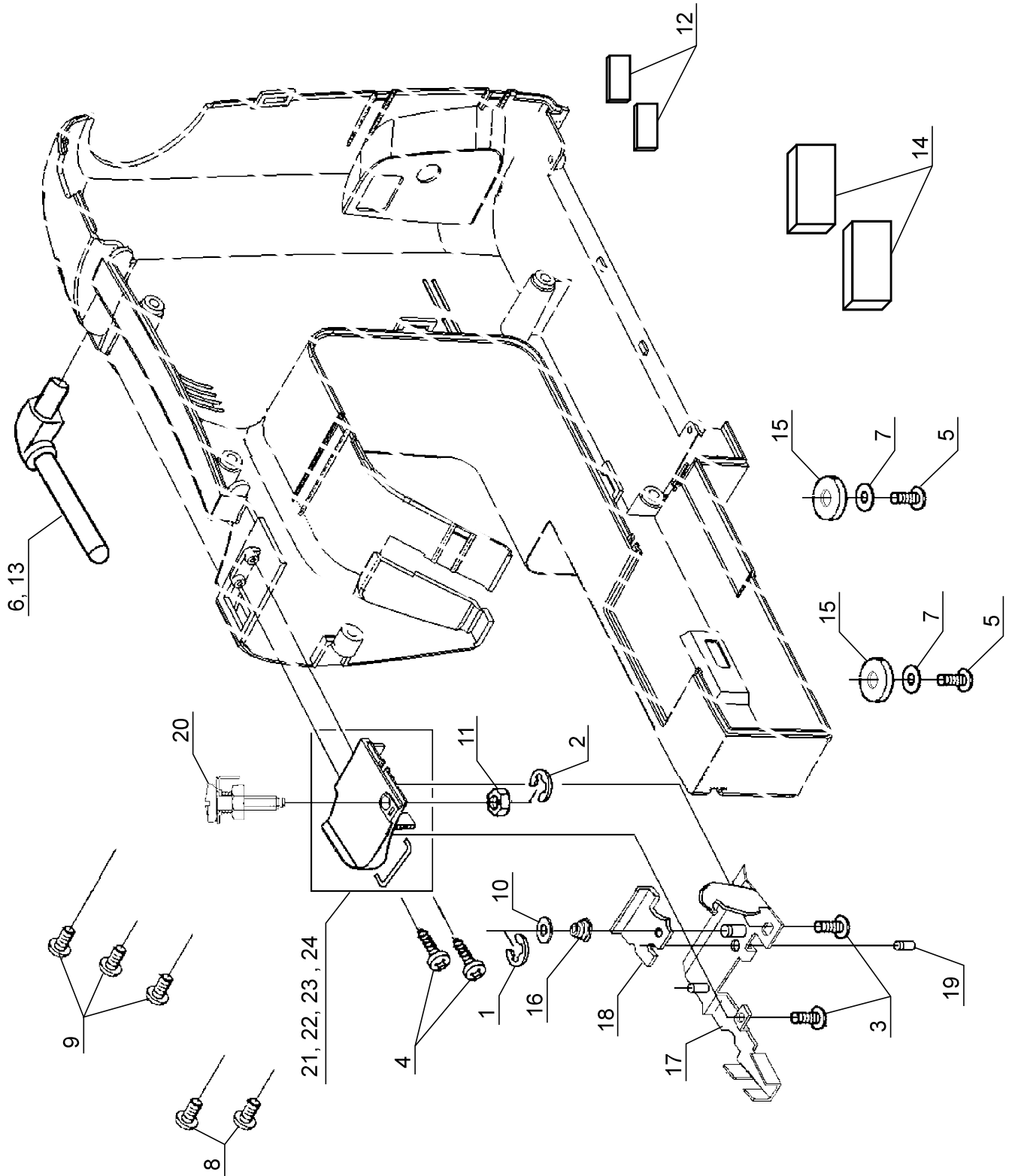
Pos	Part No	Description
1	270 001520	E3 CLIP-ON-WASHER
2	270 039163	TAPPING SCREW
3	270 039213	M3 SCREW
4	270 061222	M4 PHILIPS SCREW
5	270 061224	M4 PHILIPS SCREW
6	270 061225	M4 PHILIPS SCREW
7	270 077041	UNITY FASTENER
8	270 077042	M4 PHILLIPS SCREW
9	270 077614	GEAR CLUTCH
10	68013692	MAIN MOTOR (230V, 240V)
11	416666201	CIRCUIT BOARD (1+, 90S)
12		
13	416507301	CIRCUIT BOARD SPACER
14	270 085318	FERRITE RING (230V, 240V)
15	270 087126	MAIN MOTOR BRACKET
16	270 087237	MOTOR FAN
17		
18	416821901	CP BOLT
19	270 087263	DRIVING BELT
20	270 087291	CPU CIRCUIT BOARD BOX
21	270 087316	AC CIRCUIT BOARD BOX
22	68005905	PIN-JACK HARNESS
23	270 087519	TRANSFORMER (230V)
24		
25	270 087542	INSULATION SHEET
26		
27	270 087629	CIRCUIT BOARD (230V, 240V)
28	270 066352	M4 PHILIPS SCREW
29	270 062215	M4 NUT
30	270 053735	WASHER
31	416507801	TRANSFORMER (240V)
32	416507501	CIRCUIT BOARD (160th, 8768, 1, 70)
33		
34	270 087514	TRANSFORMER (120V)
35	416630401	MAIN MOTOR (120V)
36	270 087625	CIRCUIT BOARD (120V)
37	68004633	POWER SWITCH CORD ASSY (120V)
38	68004634	POWER SWITCH CORD ASSY (230V)
39	68013694	BUSH (120V)



1		
2	270 025670	WASHER
3	270 031246	WASHER
4	270 039213	M3 SCREW
5	270 039615	CLIP-ON-WASHER
6	270 044261	M4 SCREW
7	270 047181	M3 SCREW
8	416559301	THREAD HOLDER SET (1, 70)
9	416552001	FACE COVER SET (1)
10	270 058024	TAPPING SCREW
11	270 059221	WASHER
12	270 061222	M4 PHILIPS SCREW
13	270 063448	WASHER
14	270 064360	TOOTHED WASHER
15		
16	270 065736	M4 PHILIPS SCREW
17	270 065826	TAPPING SCREW
18	270 073299	M4 TORQUE NUT
19	270 074795	TAPPING SCREW
20	270 077044	M3 PHILIPS SCREW
21	270 077403	SCREW
22	416435101	TAPPING SCREW
23	270 083044	LED PANEL
24	416508101	SWITCH CIRCUIT BOARD
25	416508201	SWITCH HARNESS
26	416552101	PANEL (1, 70)
27	416508401	PATTERN SWITCH
28	416553501	PATTERN SEET (1)
29	270 088415	THREADER LEVER (1, 70)
30	416452401	THREAD HOLDER (1, 70)
31	416452301	HOLDER TENSION DISC (1, 70)
32	270 088103	COVER (1, 70)
33	416553601	BUTTON (1)
34	270 076440	BOBBIN WINDER LATCH (1, 70)
35	416509201	RUBBER CUSHION
36	416509301	RUBBER FOOT
37	416449201	CONNECTOR CABLE
38	270 086038	STUD SCREW
39	270 087218	NUT
40	68019984	RUBBER FOOT
41	270 087524	5P CORD HARNESS
42	270 087766	BLADE
43	416509401	FRONT COVER BRACKET
44	416509501	PLATE
45	416452101	SPRING
46	416769501	BRACKET
47	416452001	THREADER SHAFT
48	416452201	EXTENSION SPRING
49	270 088433	WASHER
50	416769601	FACE COVER SET (70)
51	416769701	BUTTON (70)
52	416769801	PATTERN SEET (70)
53	416507901	THREAD HOLDER SET (160th, 8768)
54	416508001	FACE COVER SET (160th)
55	68016620	FACE COVER SET (8768)
56	416508601	THREADER LEVER (160th, 8768, 90S, 8748)
57	416508701	THREAD HOLDER (160th, 8768)
58	416509101	BOBBIN WINDER LATCH (160th, 8768, 90S, 8748)
59	416508301	PANEL (160th, 8768, 8748)
60	416508501	PATTERN SEET (160th)
61	68013605	PATTERN SEET (8768, 8748)
62	416509001	BUTTON (160th)
63	68013664	BUTTON (8768)
64	416508801	HOLDER TENSION DISC (160th, 8768)
65	416508901	COVER (160th, 8768)
66	68009440	BUTTON (8748)
67	270 032316	WASHER

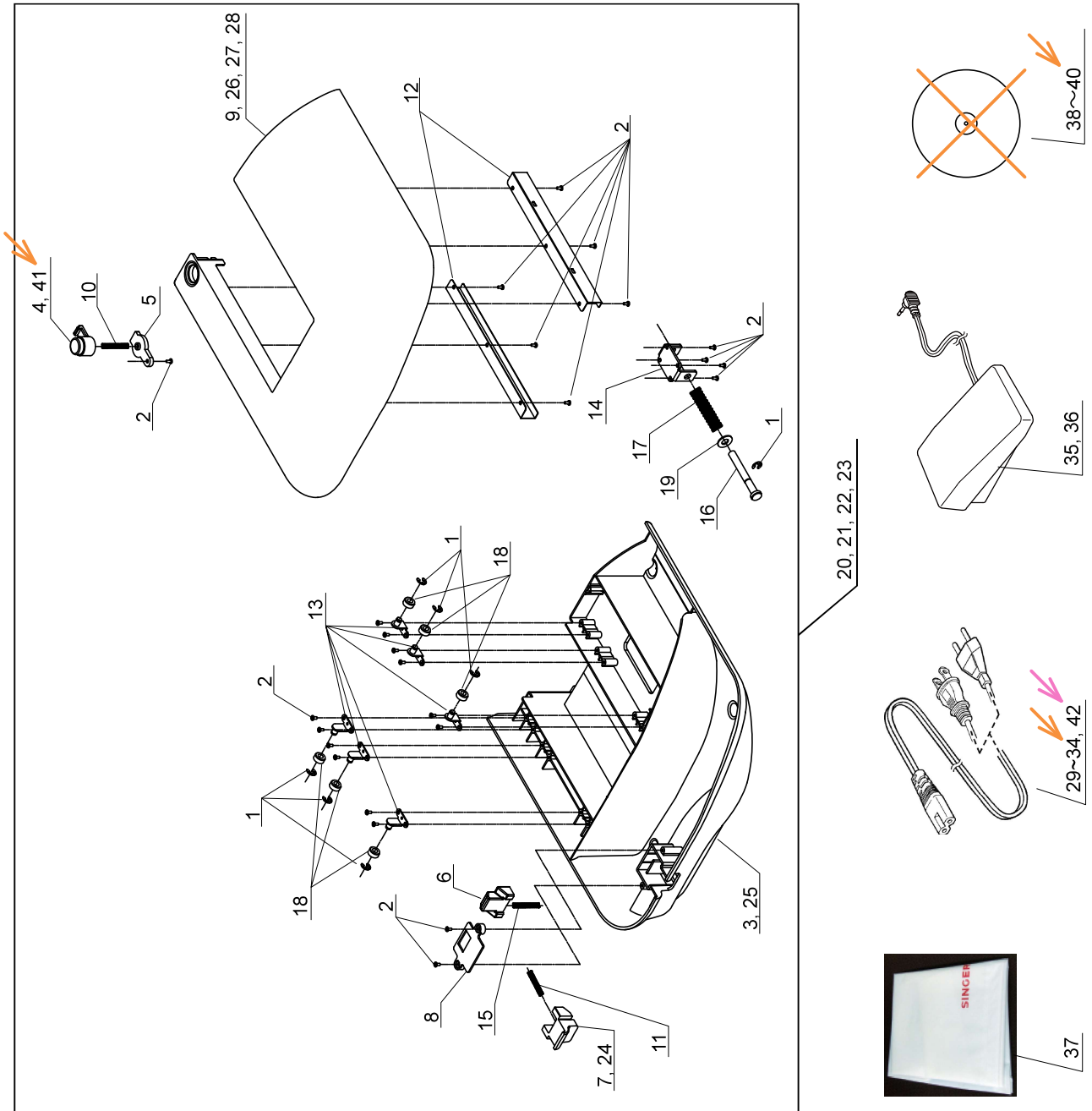


Pos	Part No	Description Models 1+, 90S
1		
2	270 025670	WASHER
3	270 031246	WASHER
4	270 039213	M3 SCREW
5	270 039615	CLIP-ON-WASHER
6	270 044261	M4 SCREW
7	270 047181	M3 SCREW
8	416559301	THREAD HOLDER SET (1+)
9	416666301	FACE COVER SET (1+)
10	270 058024	TAPPING SCREW
11	270 059221	WASHER
12	270 061222	M4 PHILIPS SCREW
13	270 063448	WASHER
14	270 064360	TOOTHED WASHER
15		
16	270 065736	M4 PHILIPS SCREW
17	270 073299	M4 TORQUE NUT
18	270 074795	TAPPING SCREW
19	416509101	BOBBIN WINDER LATCH (90S)
20	270 077044	M3 PHILIPS SCREW
21	270 077403	SCREW
22	416435101	TAPPING SCREW
23	416666401	SWITCH HARNESS
24	416666501	SWITCH CIRCUIT BOARD
25	68009440	BUTTON (90S)
26	68009441	BUTTON (90S)
27	68009449	PANEL (90S)
28	68009450	PATTERN SWITCH (90S)
29	68009451	PATTERN SEET (90S)
30	68009452	LCD BOX (90S)
31	416509201	RUBBER CUSHION
32	416509301	RUBBER FOOT
33	416449101	LCD
34	416449201	CONNECTOR CABLE
35	416449501	SPEED CONTROL SWITCH HARNESS
36	270 086038	STUD SCREW
37	270 087218	NUT
38	68019984	RUBBER FOOT
39	68009453	SLIDE LEVER (90S)
40	68009454	KNOB (90S)
41	270 087524	5P CORD HARNESS
42	270 087766	BLADE
43	270 088103	COVER
44	416509401	FRONT COVER BRACKET
45	416509501	PLATE
46	416452101	SPRING
47	270 088415	THREADER LEVER (1+)
48	416769501	BRACKET
49	416452001	THREADER SHAFT
50	416452201	EXTENSION SPRING
51	416452301	HOLDER TENSION DISC (1+)
52	270 088433	WASHER
53	416452401	THREAD HOLDER (1+)
54	416447801	INSULATION SHEET
55	416450301	BUTTON (1+)
56	416473201	LED PANEL
57	416667101	LCD PROTECTION SHEET
58	416473301	RUBBER BAND
59	270 065826	TAPPING SCREW
60	416667001	LCD BOX
61	270 076440	BOBBIN WINDER LATCH (1+)
62	270 087293	SLIDE LEVER (1+)
63	270 087404	KNOB (1+)
64	416666801	PATTERN SWITCH (1+)
65	416666601	BUTTON (1+)
66	416553601	BUTTON (1+)
67	416666701	PANEL (1+)
68	416666901	PATTERN SEET (1+)
69	416508601	THREADER LEVER (90S)
70	270 032316	WASHER
71	68019985	STICKER



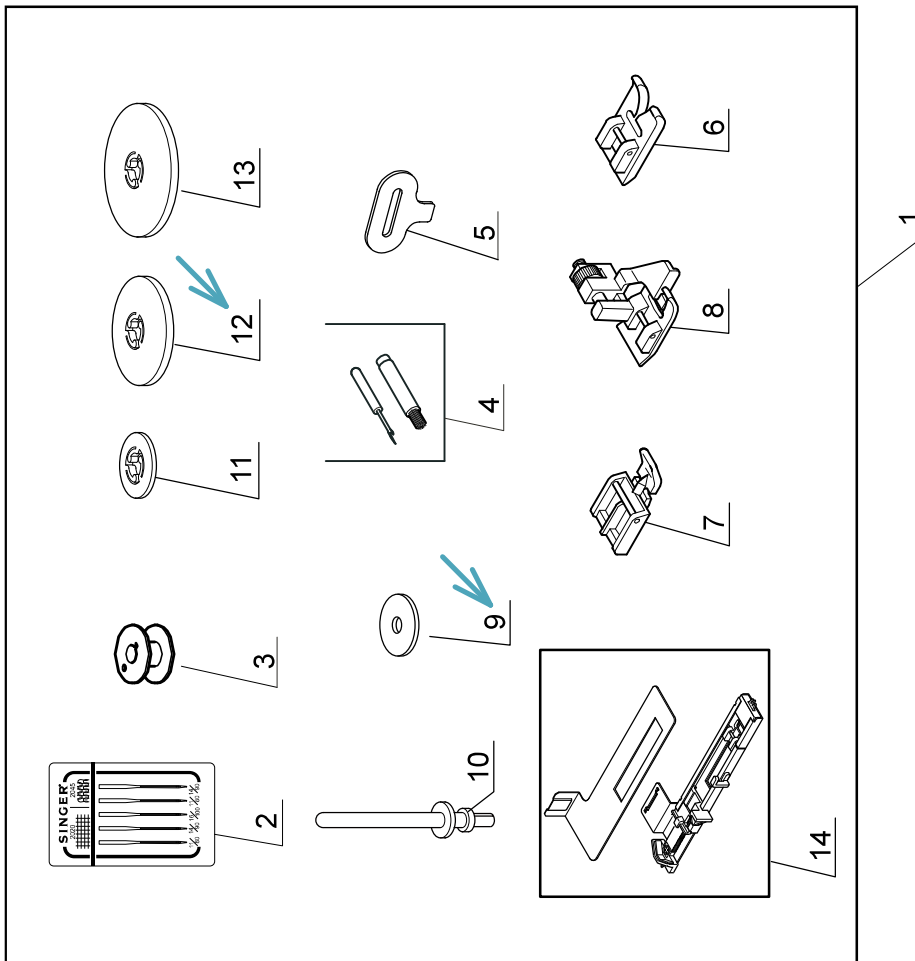
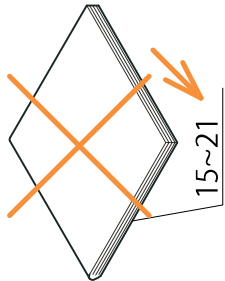
Pos	Part No	Description
1	270 001520	E3 CLIP-ON-WASHER
2	270 027925	E2.5 CLIP-ON-WASHER
3	270 039163	TAPPING SCREW
4	270 039213	M3 SCREW
5	270 044261	M4 SCREW
6	416509901	SPOOL PIN UNIT (1, 70, 1+)
7	270 059221	WASHER
8	270 061224	M4 PHILIPS SCREW
9	270 064484	TAPPING SCREW
10	270 072858	WASHER
11	270 073299	M4 TORQUE NUT
12	270 076274	SPACER
13	416509901	SPOOL PIN UNIT (160th, 8768, 90S)
14	416553901	SPACER
15	416509301	RUBBER FOOT
16	270 086999	SPRING
17	416510001	THREAD PLATE
18	416510101	THREAD REGULATE PLATE
19	416451101	PIN
20	416510201	M4 SPECIAL SCREW UNIT
21	416509801	TENSION COVER (160th)
22	416553701	TENSION COVER (1, 1+)
23	416769901	TENSION COVER (70)
24	68013679	TENSION COVER (8768)

L

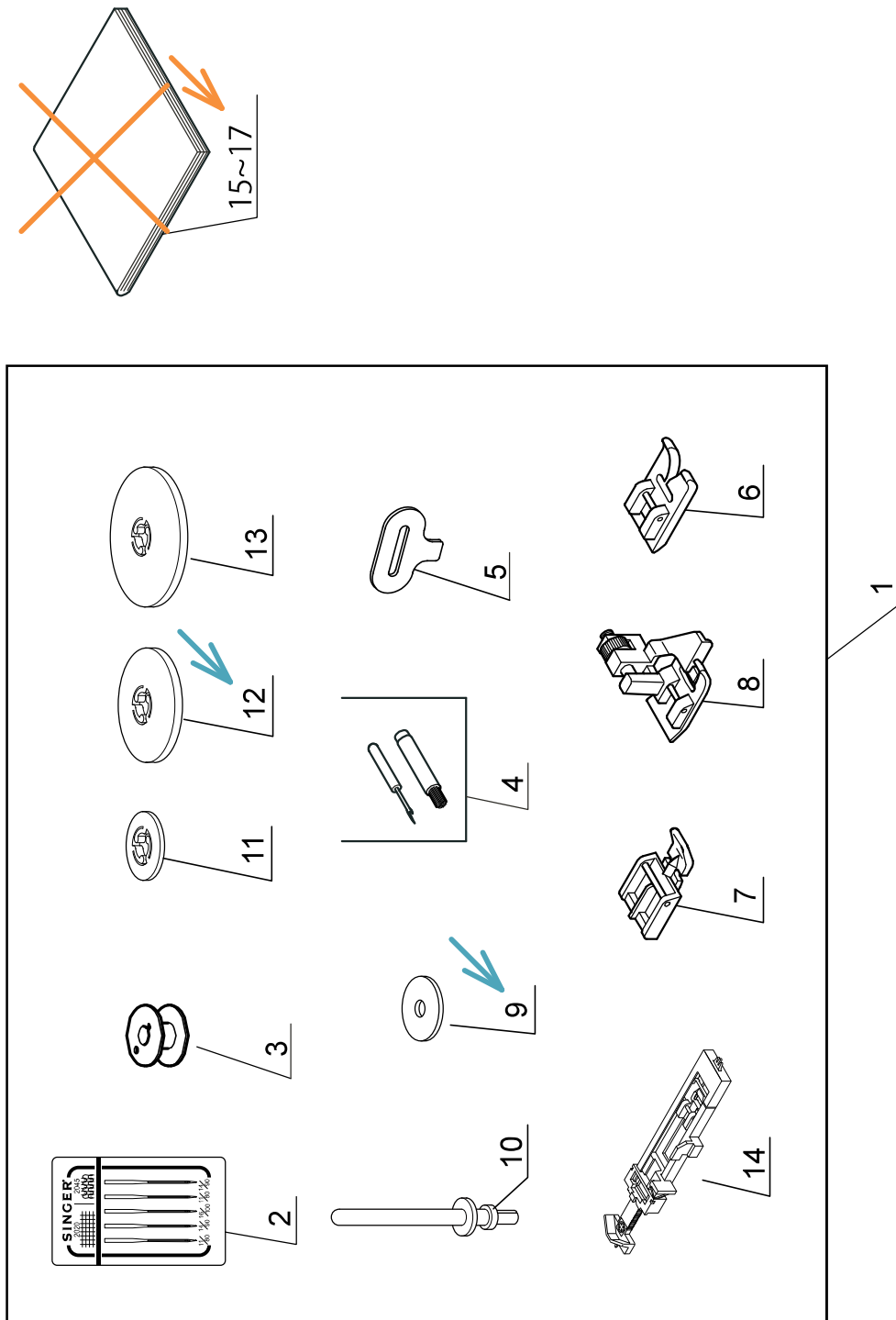


Pos	Part No	Description
1	270 001513	E4 CLIP-ON-WASHER
2	270 039213	M3 SCREW
3	68013681	ACCESSORY BOX (160th, 8768)
4	68013683	RELEASE BUTTON (160th, 8768)
5	68013686	BUTTON COVER
6	68013690	BRACKET
7	68013691	BUTTON (160th, 8768, 90S)
8	68013693	BUTTON COVER
9	68013695	ACCESSORY BOX COVER (160th)
10	68013696	SPRING
11	68013699	SPRING
12	68013701	BOX SUPPORT RAIL
13	68013703	ROLLER PLATE
14	68013704	BRACKET
15	68013705	SPRING
16	68013709	PIN
17	68013710	SPRING
18	270 086349	GUIDE ROLLER
19	270 086379	WASHER
20	68013712	ACCESSORY BOX SET (1, 1+)
21	68013713	ACCESSORY BOX SET (160th)
22	68013714	ACCESSORY BOX SET (8768)
23	68013715	ACCESSORY BOX SET (70)
24	68013716	BUTTON (1, 70, 1+)
25	416667201	ACCESSORY BOX (1, 70, 1+)
26	68013718	ACCESSORY BOX COVER (8768)
27	416667301	ACCESSORY BOX COVER (1, 1+)
28	416770001	ACCESSORY BOX COVER (70)
29	412157903	POWER CORD (120V)
30	412157801	POWER CORD (230V)
31	412158101	POWER CORD (Australia)
32		
33		
34		
35	416510501	FOOT CONTROL (EU PIN-JACK TYPE)
36	416436101	FOOT CONTROL (PIN-JACK TYPE)
37	416510601	DUST COVER
38		
39		
40		
41	68013719	RELEASE BUTTON (1, 70, 1+)
42	412157903	POWER CORD (India)

Model 160th

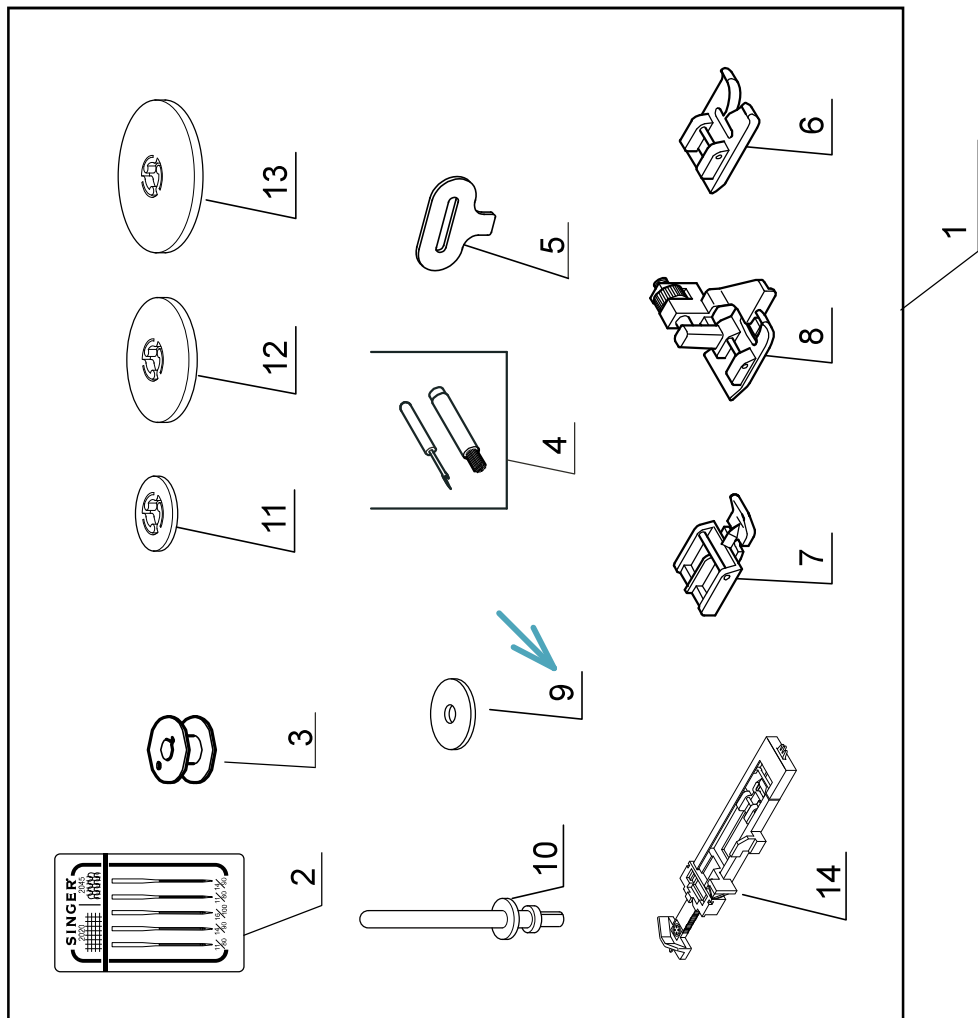
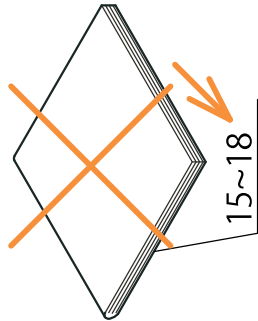


Pos	Part No	Description Model 160th
1	416510401	ACC SET
2		NEEDLE SET
3	270 085128	BOBBIN
4	416436401	BUTTONHOLE OPENER / BRUSH
5	68004086	LARGE SCREW DRIVER
6	68013653	SATIN FOOT
7	416437001	ZIPPER FOOT
8	416437101	BLIND STITCH FOOT
9	68004084	SPOOL PIN DISC
10	416510701	SPOOL PIN
11	416511001	SPOOL PIN CAP (MINI)
12	416510901	SPOOL PIN CAP (SMALL)
13	416510801	SPOOL PIN CAP (LARGE)
14	270 088100	BUTTONHOLE FOOT
15		
16		
17		
18		
19		
20		
21		



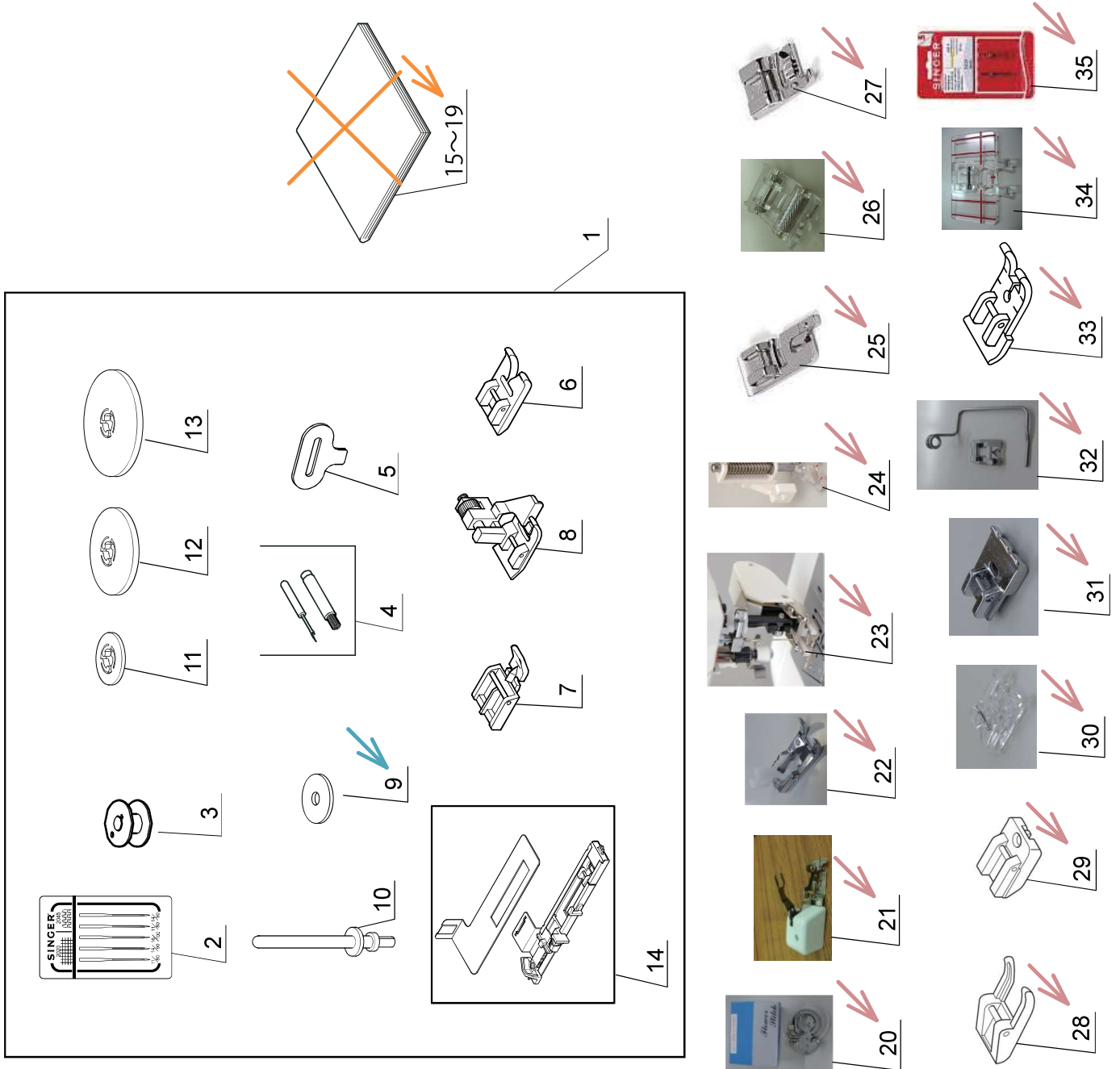
Pos	Part No	Description Models 8768, 8748
1	68013724	ACC SET
2		NEEDLE SET
3	270 085128	BOBBIN
4	416436401	BUTTONHOLE OPENER / BRUSH
5	68004086	LARGE SCREW DRIVER
6	68013653	SATIN FOOT
7	416437001	ZIPPER FOOT
8	416437101	BLIND STITCH FOOT
9	68004084	SPOOL PIN DISC
10	416510701	SPOOL PIN
11	416511001	SPOOL PIN CAP (MINI)
12	416510901	SPOOL PIN CAP (SMALL)
13	416510801	SPOOL PIN CAP (LARGE)
14	416465601	BUTTONHOLE FOOT
15		
16		
17		

Model 1



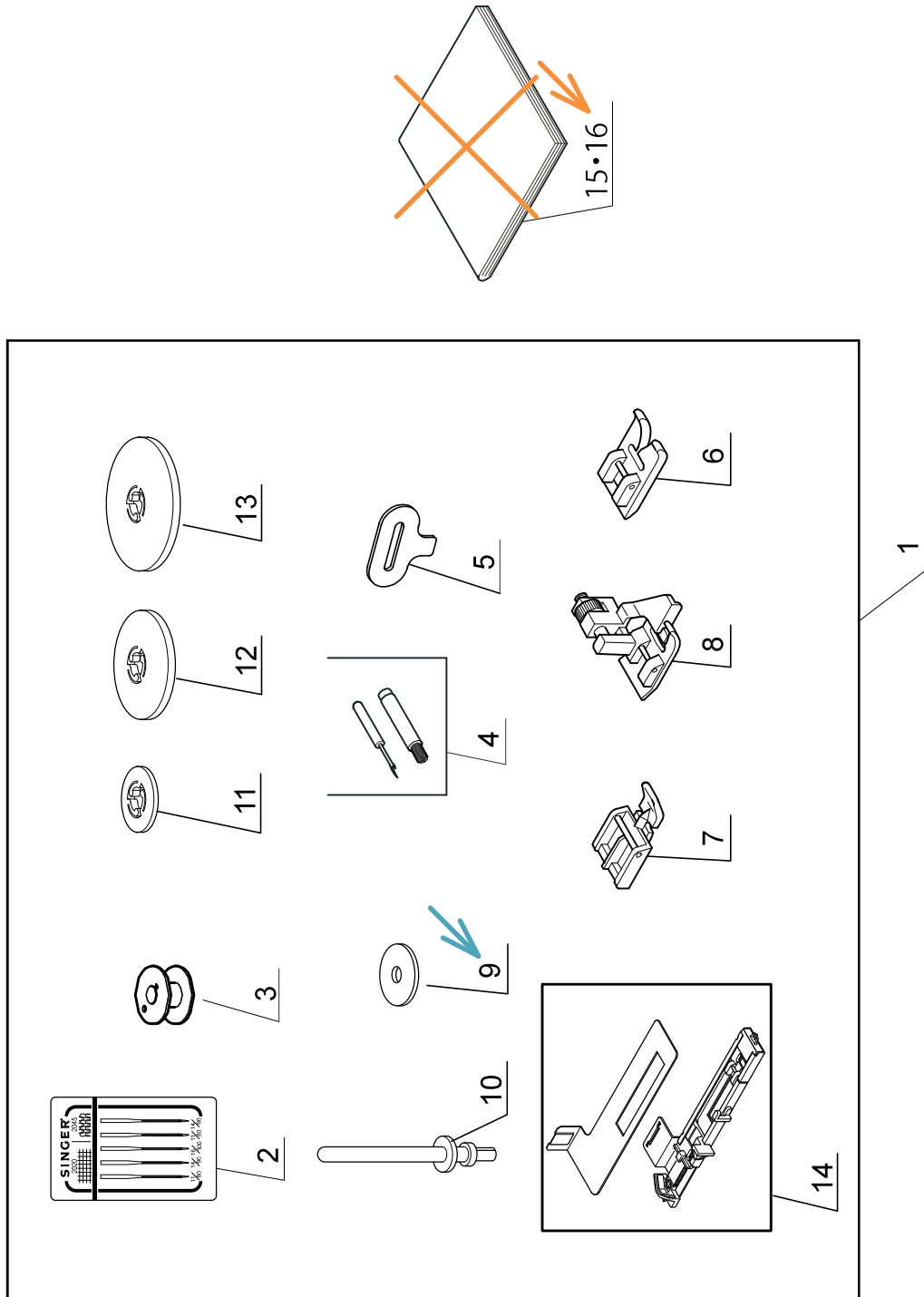
Pos	Part No	Description	Model 1
1	270 052012	ACC SET	
2		NEEDLE SET	
3	270 085128	BOBBIN	
4	416436401	BUTTONHOLE OPENER / BRUSH	
5	68004086	LARGE SCREW DRIVER	
6	68013653	SATIN FOOT	
7	416437001	ZIPPER FOOT	
8	416437101	BLIND STITCH FOOT	
9	68004084	SPOOL PIN DISC	
10	270 088366	SPOOL PIN	
11	270 087287	SPOOL PIN CAP (MINI)	
12	270 087289	SPOOL PIN CAP (SMALL)	
13	270 087290	SPOOL PIN CAP (LARGE)	
14	416465601	BUTTONHOLE FOOT	
15			
16			
17			
18			

MODELS 70, 1+



Pos	Part No	Description MODELS 70, 1+
1	270 052011	ACC SET
2		NEEDLE SET
3	270 085128	BOBBIN
4	416436401	BUTTONHOLE OPENER / BRUSH
5	68004086	LARGE SCREW DRIVER
6	68013653	SATIN FOOT
7	416437001	ZIPPER FOOT
8	416437101	BLIND STITCH FOOT
9	68004084	SPOOL PIN DISC
10	270 088366	SPOOL PIN
11	270 087287	SPOOL PIN CAP (MINI)
12	270 087289	SPOOL PIN CAP (SMALL)
13	270 087290	SPOOL PIN CAP (LARGE)
14	270 088100	BUTTONHOLE FOOT
15		
16		
17		
18		
19		
20		Flower Stitch (1+)
21		Sew and Serge Foot (Cut & Hem) (1+)
22		Fringe/Tufting Foot (1+)
23		Evenfeed Foot (1+)
24		Darning Foot (1+)
25		Narrow (rolled) hemming foot (1+)
26		Roller Foot (1+)
27		Cording Foot (1+)
28		Open toe foot (1+)
29		Invisible zipper foot (1+)
30		Beading (1+)
31		Piping (1+)
32		Narrow Braid Cord Foot (1+)
33		1/4" Foot (1+)
34		Parallel stitching foot (1+)
35		Package of twin needles (2-needles) (1+)

Model 90s



Pos	Part No	Description Model 90s
1	416510401	ACC SET
2		NEEDLE SET
3	270 085128	BOBBIN
4	416436401	BUTTONHOLE OPENER / BRUSH
5	68004086	LARGE SCREW DRIVER
6	68013653	SATIN FOOT
7	416437001	ZIPPER FOOT
8	416437101	BLIND STITCH FOOT
9	68004084	SPOOL PIN DISC
10	416510701	SPOOL PIN
11	416511001	SPOOL PIN CAP (MINI)
12	68013725	SPOOL PIN CAP (SMALL)
13	416510801	SPOOL PIN CAP (LARGE)
14	270 088100	BUTTONHOLE FOOT
15		
16		