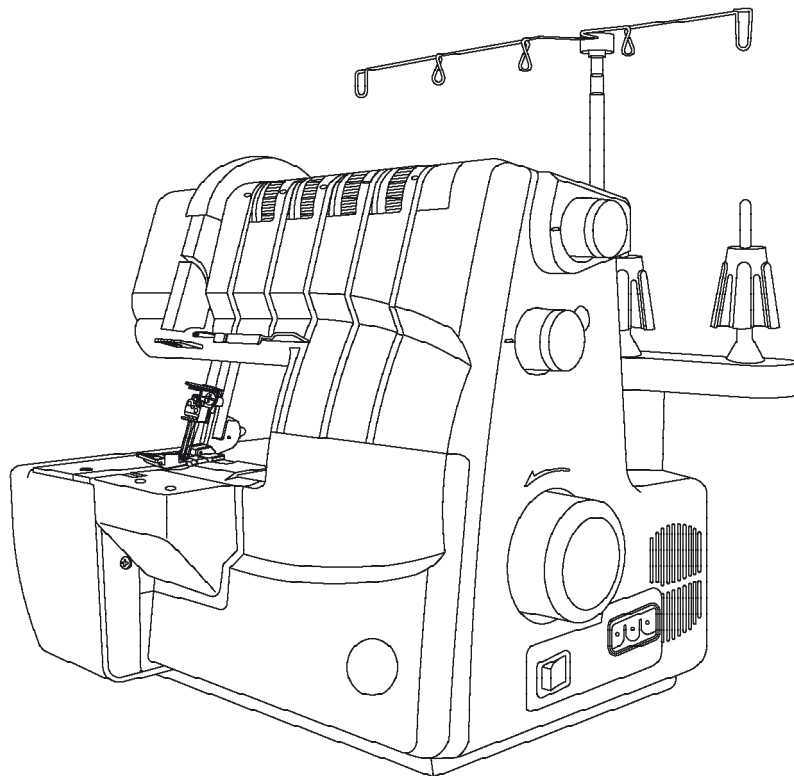




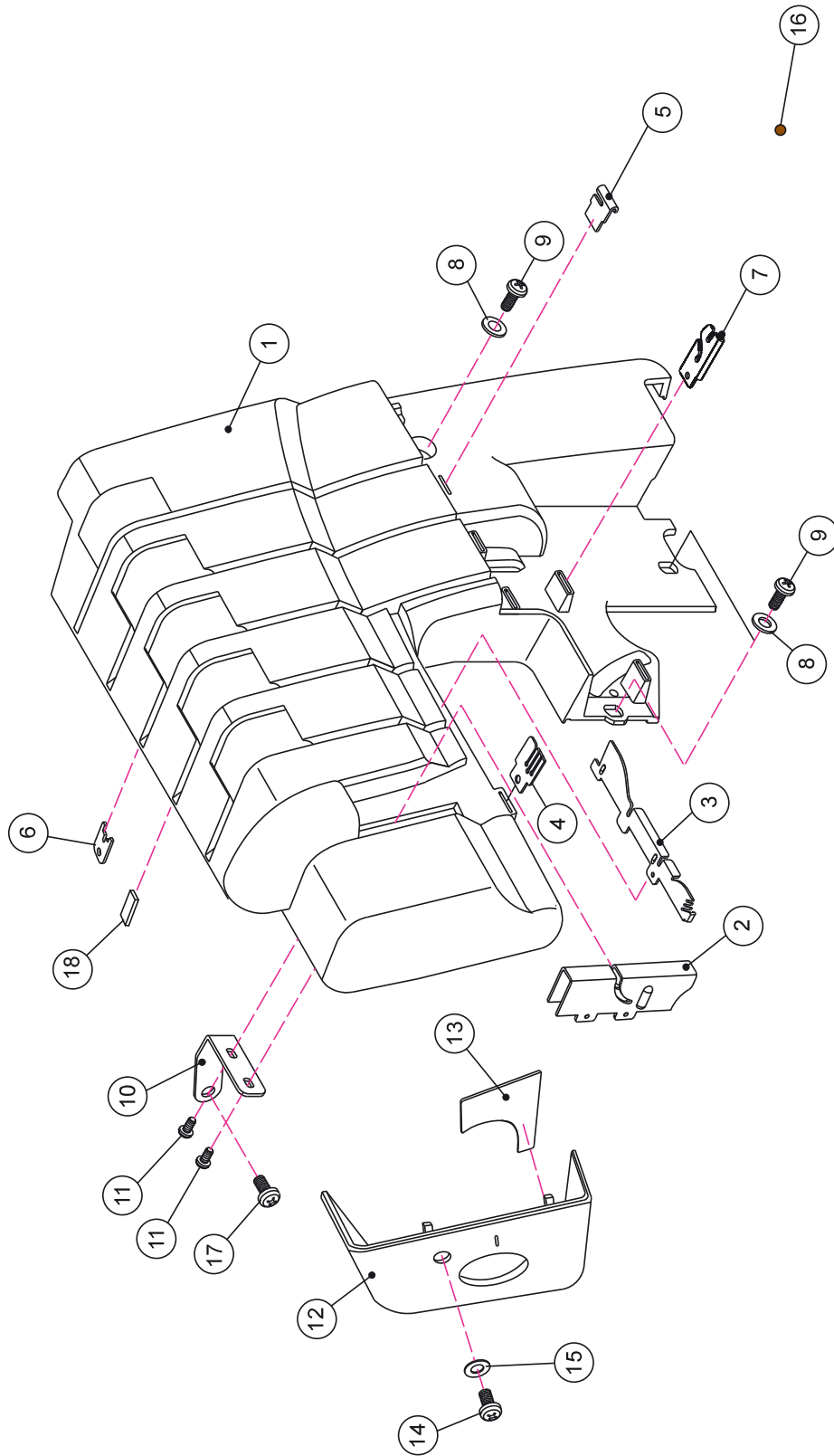
# SINGER®

## Singer 14T970C



**A**

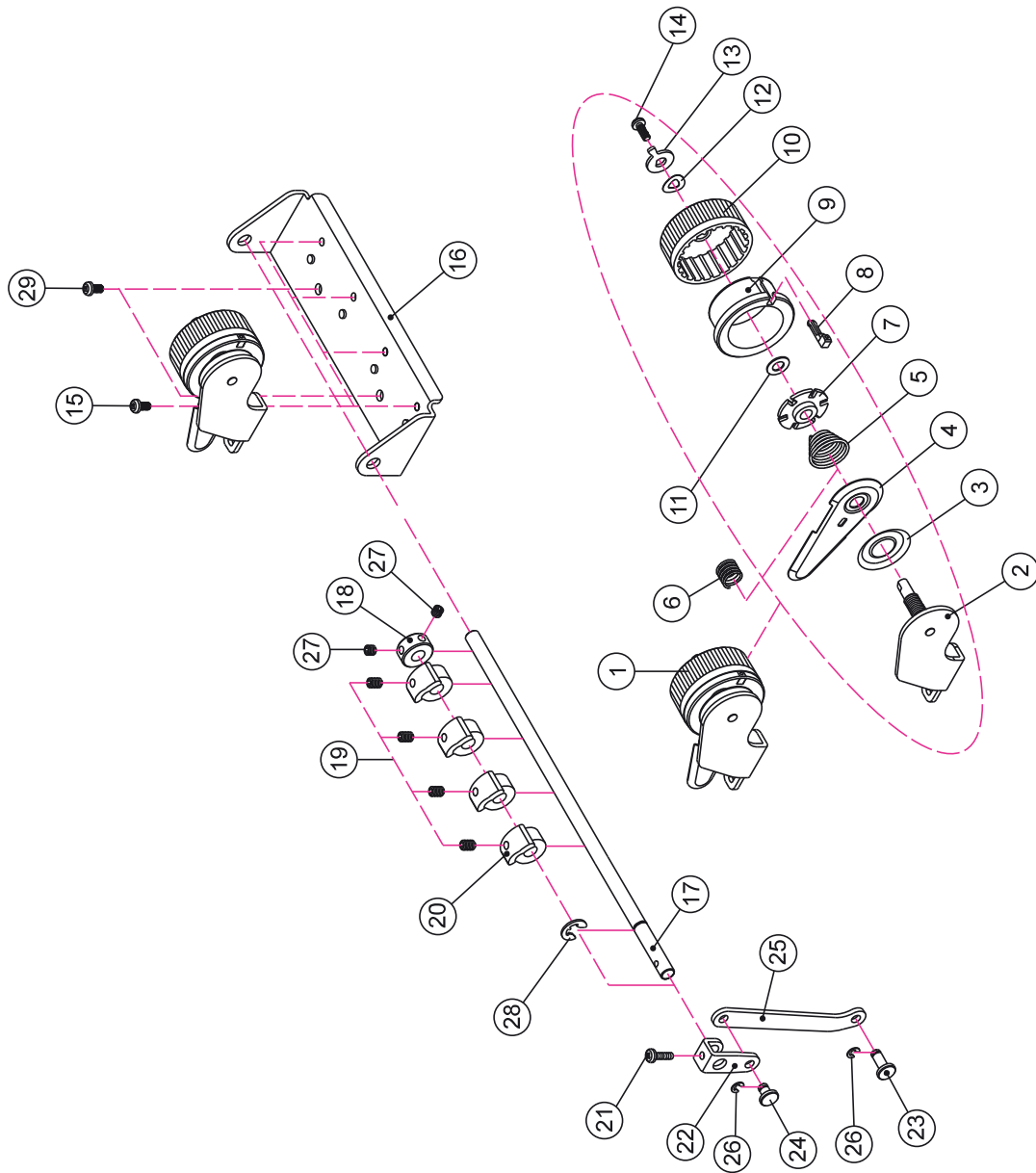
Singer 14T970C



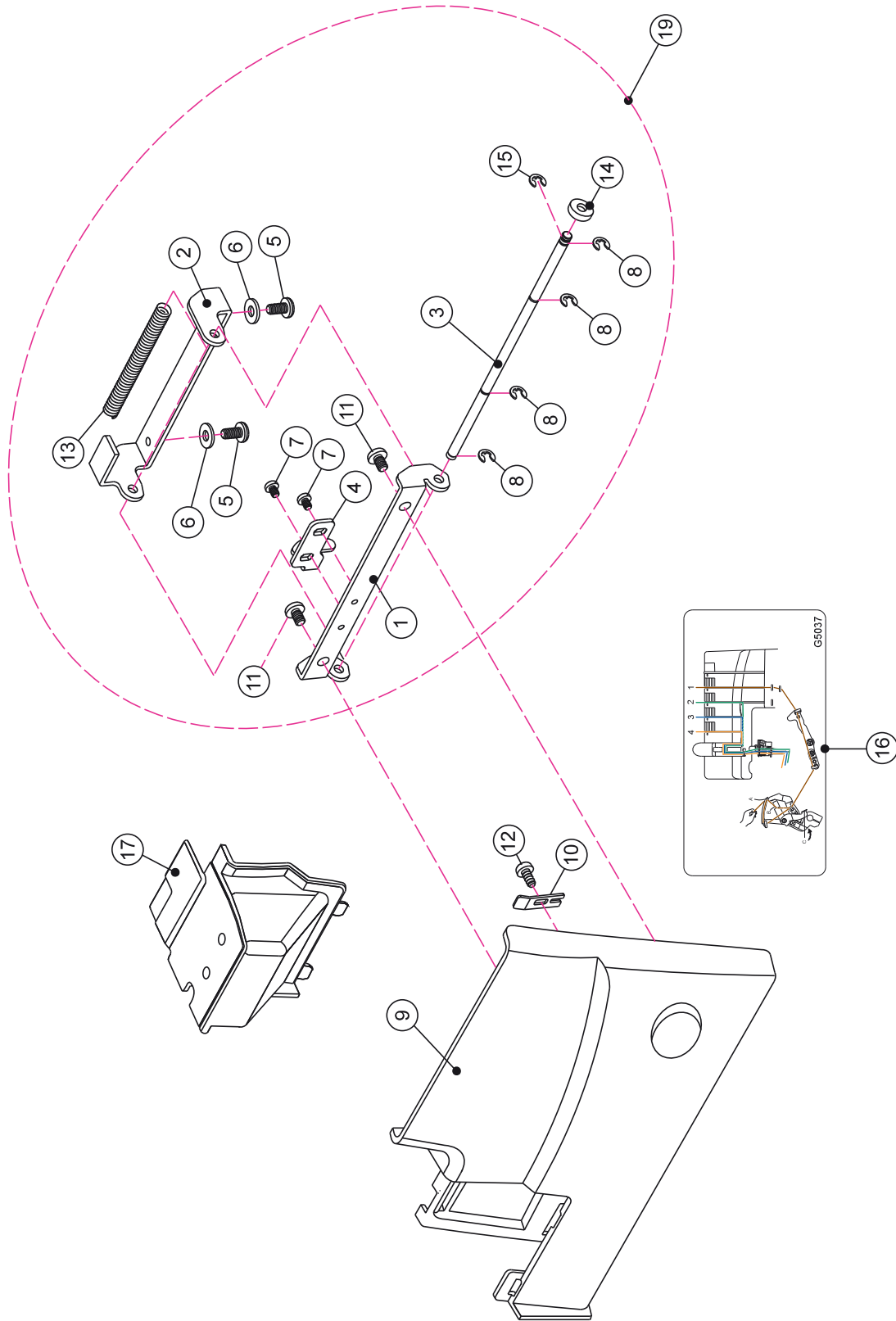
NO.	PART NO.	DESCRIPTION
1	416810001	FRONT COVER (BEIGE)
2	416810601	THREAD TAKE-UP COVER
3	416810701	THREAD GUIDE (B)
4	416810801	THREAD GUIDE (C)
5	270 C10071004	THREAD GUIDE (F)
6	270 B10241004	THREAD GUIDE (D)
7	270 G6052	LOWER LOOPER THREAD GUIDE (A)
8	270 W04F10A06	WASHER
9	270 M03L06C02	SET SCREW
10	416607501	FRONT COVER FIXING BOARD
11	416377401	SET SCREW
12	416810901	BULB COVER (BEIGE)
13	270 G2068	LAMP COVER HEATOUT PLATE
14	416377601	SET SCREW
15	270 W03F07A06	WASHER
16	270 A11481499	COLOR STICKER (BROWN)
17	416390601	SET SCREW
18	416811101	5X16X1.5 PLATE
19	416811201	FRONT COVER SET (NO. 1.2.3.4.5.6.7.10.17.18 INCLUDED) (BEIGE)
20	416811401	BULB COVER SET (NO. 12.13 INCLUDED) (BEIGE)

**B**

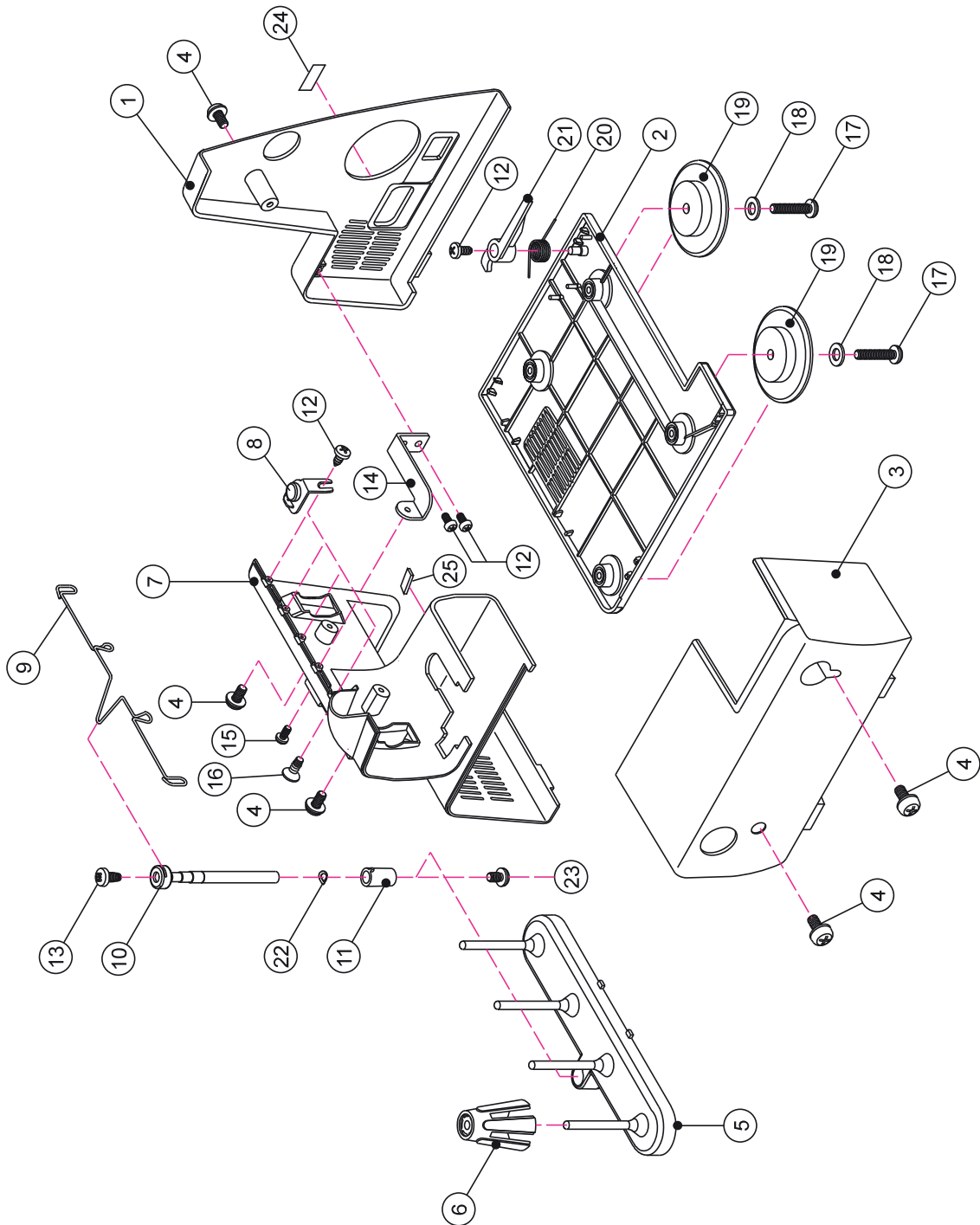
Singer 14T970C



NO.	PART NO.	DESCRIPTION
1	270 B1004P005E	TENSION DIAL SET (COVER STITCH LOOPER)
1	270 B1004P005C	TENSION DIAL SET (RIGHT NEEDLE)
1	270 B1004P005B	TENSION DIAL SET (MIDDLE NEEDLE)
1	270 B1004P005A	TENSION DIAL SET (LEFT NEEDLE)
2	270 G40112	TENSION DIAL HOLDER SET
3	270 A10701004	TENSION DISC
4	270 G4013	TENSION DISC
5	270 B10481006	TENSION SPRING (LEFT NEEDLE)
5	416814101	TENSION SPRING (MIDDLE & RIGHT NEEDLE)
5	270 G1093	TENSION SPRING (COVER STITCH)
6	270 G1094	TENSION SPRING (COVER STITCH)
7	270 B10131000	TENSION REGULATE NUT
8	270 B10061250	TENSION REGULATE PIN (GREEN)
8	270 B10061162	TENSION REGULATE PIN (ORANGE)
8	270 B10061184	TENSION REGULATE PIN (BLUE)
8	270 B10061499	TENSION REGULATE PIN (BROWN)
9	270 B10051250	TENSION REGULATE DISC (GREEN)
9	270 B10051162	TENSION REGULATE DISC (ORANGE)
9	270 B10051184	TENSION REGULATE DISC (BLUE)
9	270 B10051499	TENSION REGULATE DISC (BROWN)
10	270 B1004P005	TENSION DIAL
11	270 W05F10A03	WASHER
12	270 W05W09A01	WAVE WASHER
13	270 B10181001	TENSION DIAL SETTING PLATE
14	416814201	SET SCREW
15	416390601	SET SCREW
16	416814301	TENSION DIAL HOLDER
17	416814401	RELEASE CAM SHAFT
18	270 G2040	SETTING COLLAR
19	270 M04L06E01	SET SCREW
20	270 G2024	RELEASE CAM
21	270 M03L10I02	SET SCREW
22	270 G2022	RELEASE LINK SUPPORTER
23	270 G2025	RELEASE LINK PIN A
24	270 G2026	RELEASE LINK PIN B
25	270 G2021	RELEASE LINK
26	270 E03T06A04	E RING
27	416377201	SET SCREW
28	270 E05T06A04	E RING
29	270 M04L08A06	SET SCREW
30	416814501	SETTING COLLAR SET (NO. 18.27 INCLUDED)
31	416814601	RELEASE CAM SET (NO. 19.20 INCLUDED)
32	416814701	TENSION DIAL HOLDER SET (NO. 1.14.15.16.17.21.22.24.25.26.28.29.30 INCLUDED)

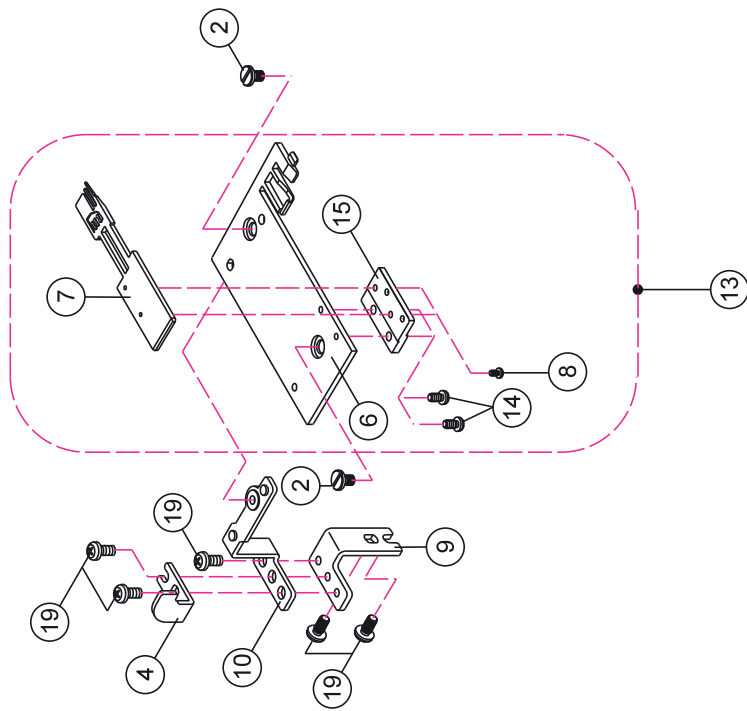
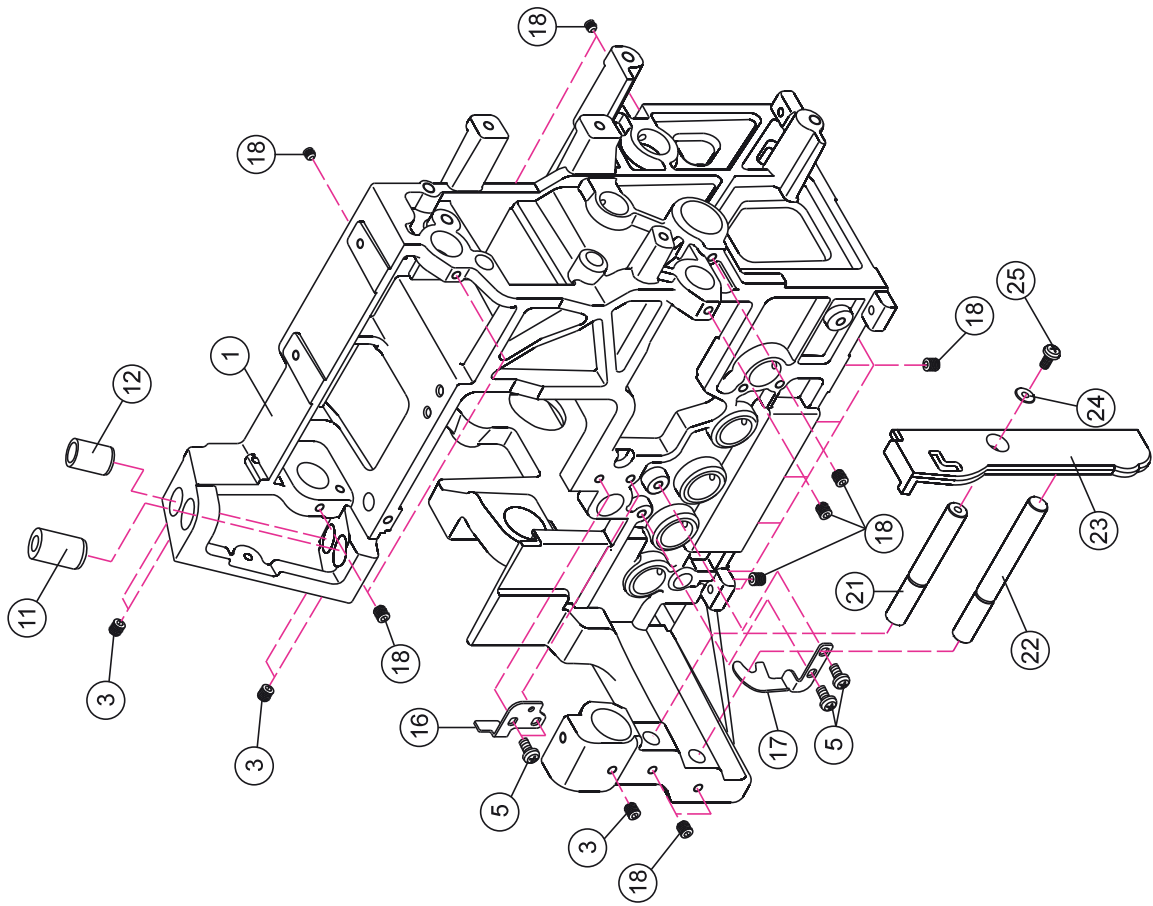


NO.	PART NO.	DESCRIPTION
1	270 G12014	LOOPER COVER HINGE (A)
2	270 G12014	LOOPER COVER HINGE (B)
3	270 G12014	LOOPER COVER HINGE SHAFT
4	270 G12014	HINGE LOCATING BOARD
5	270 M04L08A06	SET SCREW
6	270 W04F10A06	WASHER
7	270 M03L04A03	SET SCREW
8	270 E03T06A04	E RING
9	416811601	LOOPER COVER
10	416377301	LOOPER COVER SETTING PLATE
11	270 M04L10C06	SET SCREW
12	416377401	SET SCREW
13	270 A11061001	LOOPER COVER HINGE SPRING
14	270 G1211	CONNECTING PRESS PLATE
15	270 E03T06C04	E RING
16	416814801	THREAD GUIDE STICKER (G07)
17	270 G5008-567	LOOPER COVER ATTACHED COVER (B) (BEIGE)
18	270 G12014	LOOPER COVER HINGE SET(NO. 1.2.3.4.5.6.7.8.11.13.14.15 INCLUDED)

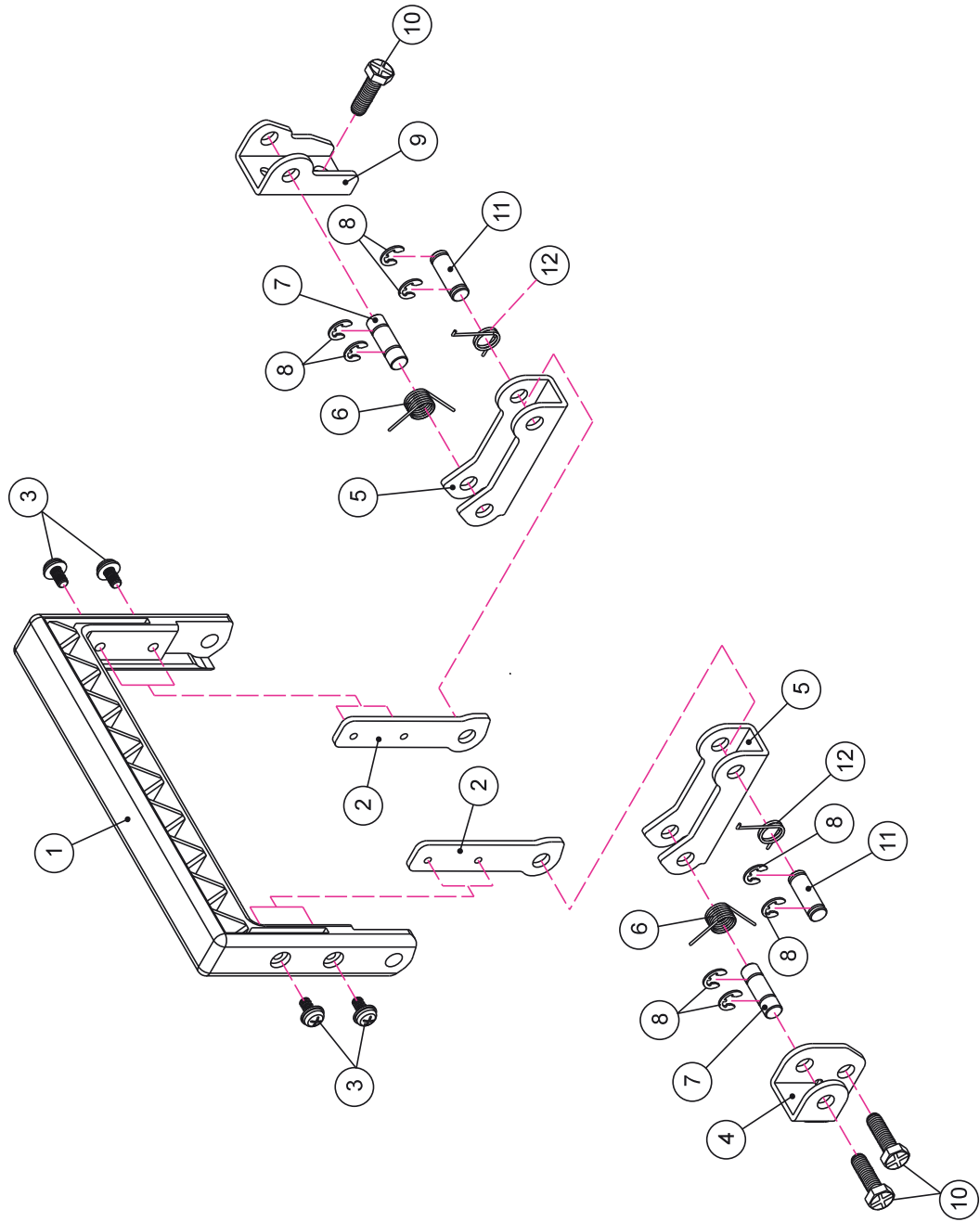




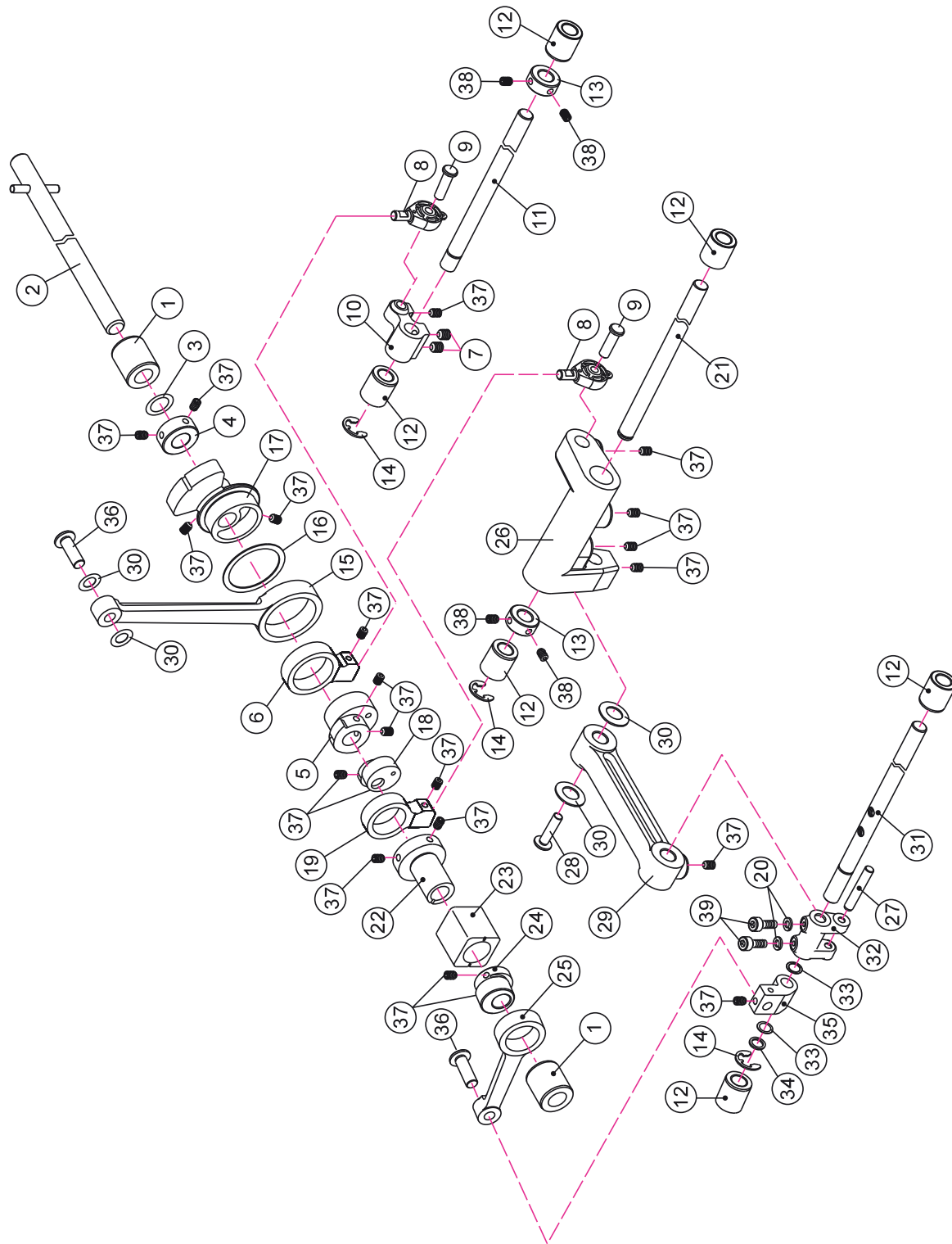
NO.	PART NO.	DESCRIPTION
1	270 G5003-567	SIDE COVER (BEIGE)
2	270 G1227-567	BASE PLATE (BEIGE)
3	270 G5005-567	EXTENSION TABLE (BEIGE)
3	416811901	EXTENSION TABLE
4	270 M04L10W08	SET SCREW
5	270 G4002-567	SPOOL STAND (BEIGE)
6	270 A1V011567	CONE HOLDER (BEIGE)
7	270 G5004-567	BACK COVER (BEIGE)
8	270 G12842	THREAD GUIDE PLATE
9	416812001	THREAD GUIDE BAR
10	416812101	EXTENSION BAR
11	270 G1228-567	EXTENSION BAR SETTING (BEIGE)
12	416377401	SET SCREW
13	416814901	SET SCREW
14	270 G1139	SIDE COVER SETTING BOARD
15	416377601	SET SCREW
16	270 M04L12K04	SET SCREW
17	270 M04L22B06	SET SCREW
18	270 W04F10A06	WASHER
19	416361501	RUBBER
20	270 G1208	MICRO SWITCH CONTACTOR SPRING
21	416361201	MICRO SWITCH CONTACTOR
22	270 W05W09A01	WAVE WASHER
23	270 M04L12W08	SET SCREW
24	416299001	WARNING LABEL
25	416811101	5X16X1.5 PLATE
26	416815001	WASHER
27	416812401	SIDE COVER SET (NO. 1.12.14 INCLUDED) (BEIGE)
27	416812201	BACK COVER SET (NO. 7.8.12.25 INCLUDED) (BEIGE)



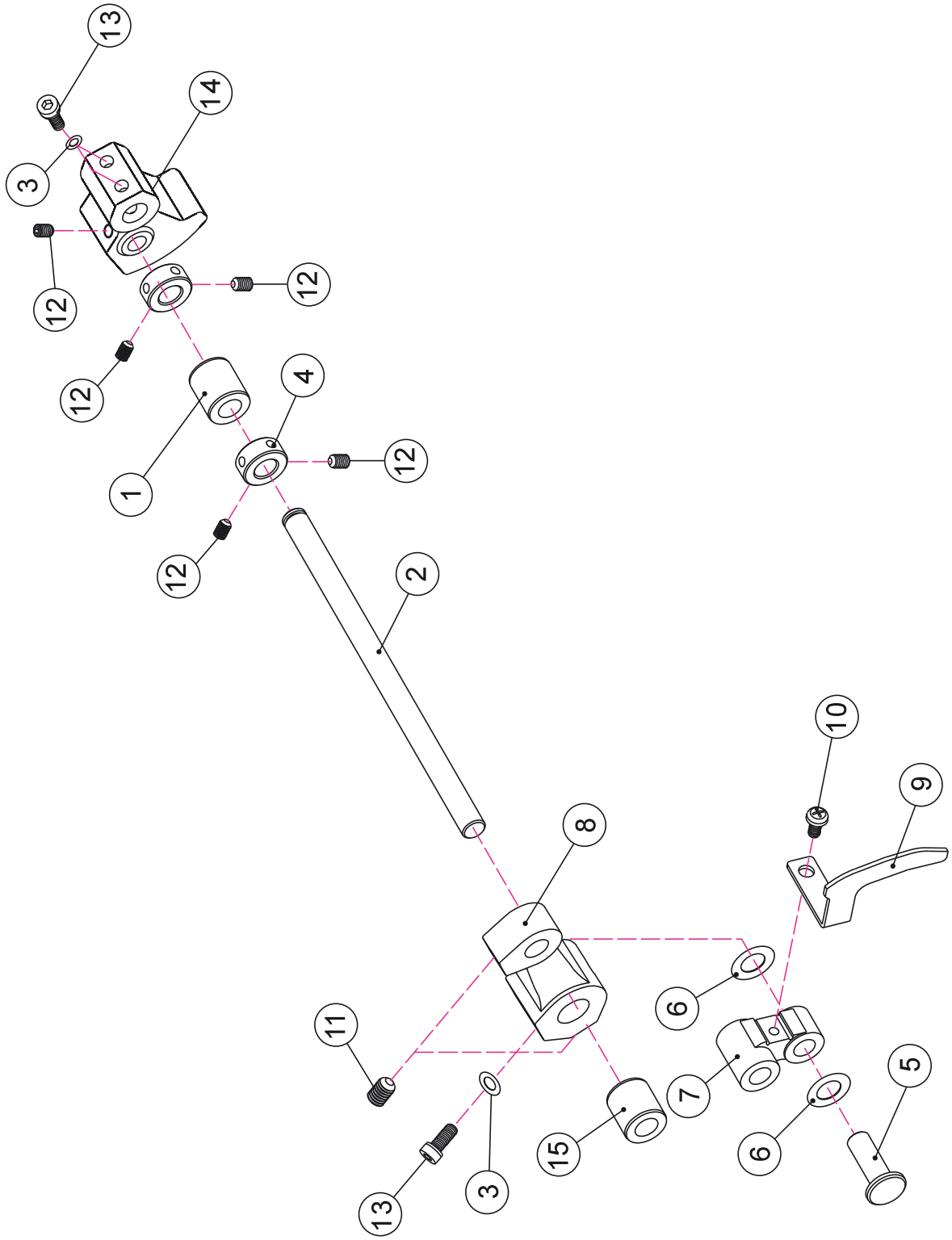
NO.	PART NO.	DESCRIPTION
1		MACHINE FRAME
2	416427301	SET SCREW
3	416377201	SET SCREW
4	270 G1283	FRONT FEED DOG GUIDE BOARD
5	270 M04L08A06	SET SCREW
6	270 G1067	STITCH PLATE
7	270 G1041	FIXED LEVER
8	270 M02L04I04	SET SCREW
9	270 G1156	NEEDLE PLATE LOCATING BOARD SUPPORT
10	270 G1155	NEEDLE PLATE LOCATING BOARD
11	416377701	NEEDLE BAR BUSHING
12	416815101	PRESSER BAR BUSHING
13	416812601	STITCH PLATE SET (NO.2.6.7.8.14.15 INCLUDED)
14	270 M03L05A03	SET SCREW
15	270 G2091	FIXED BOARD
16	270 G1154	FEED DOG HOLDER GUIDE BOARD(REAR)
17	270 G1153	FEED DOG HOLDER GUIDE BOARD (FRONT)
18	270 M04L06E01	SET SCREW
19	270 M04L10W08	SET SCREW
20	416815201	NEEDLE PLATE LOCATING BOARD SET (NO. 4.9.10.19 INCLUDED)
21	270 G1133	UPPER KNIFE ARM SUPPORT BAR SHAFT
22	270 G1146	UPPER KNIFE SHAKE ARM SHAFT
23	270 G5009-567	UPPER KNIFE SET COVER (BEIGE)
24	270 W03F07A06	WASHER
25	416377601	SET SCREW



NO.	PART NO.	DESCRIPTION
1	270 G1195-567	HANDLE (BEIGE)
2	270 G1194	HANDLE HOLDER
3	270 M03L08I04	SET SCREW
4	270 G1196	HANDLE SUPPORTER (A)
5	270 G1192	HANDLE LINK
6	270 G1197	HANDLE SPRING (B)
7	270 G1200	HANDLE LINK PIN (B)
8	270 E04T06A04	E RING
9	270 G1193	HANDLE SUPPORTER (B)
10	270 M05L08M02	SET SCREW
11	270 G1198	HANDLE LINK PIN (A)
12	270 G1199	HANDLE SPRING (A)
13	416815301	HANDLE SUPPORTER (A) SET (NO. 4.5.6.7.8 INCLUDED)
14	416815401	HANDLE SUPPORTER (B) SET (NO. 5.6.7.8.9 INCLUDED)
15	416815501	HANDLE SET (NO. 1.2.3 INCLUDED)

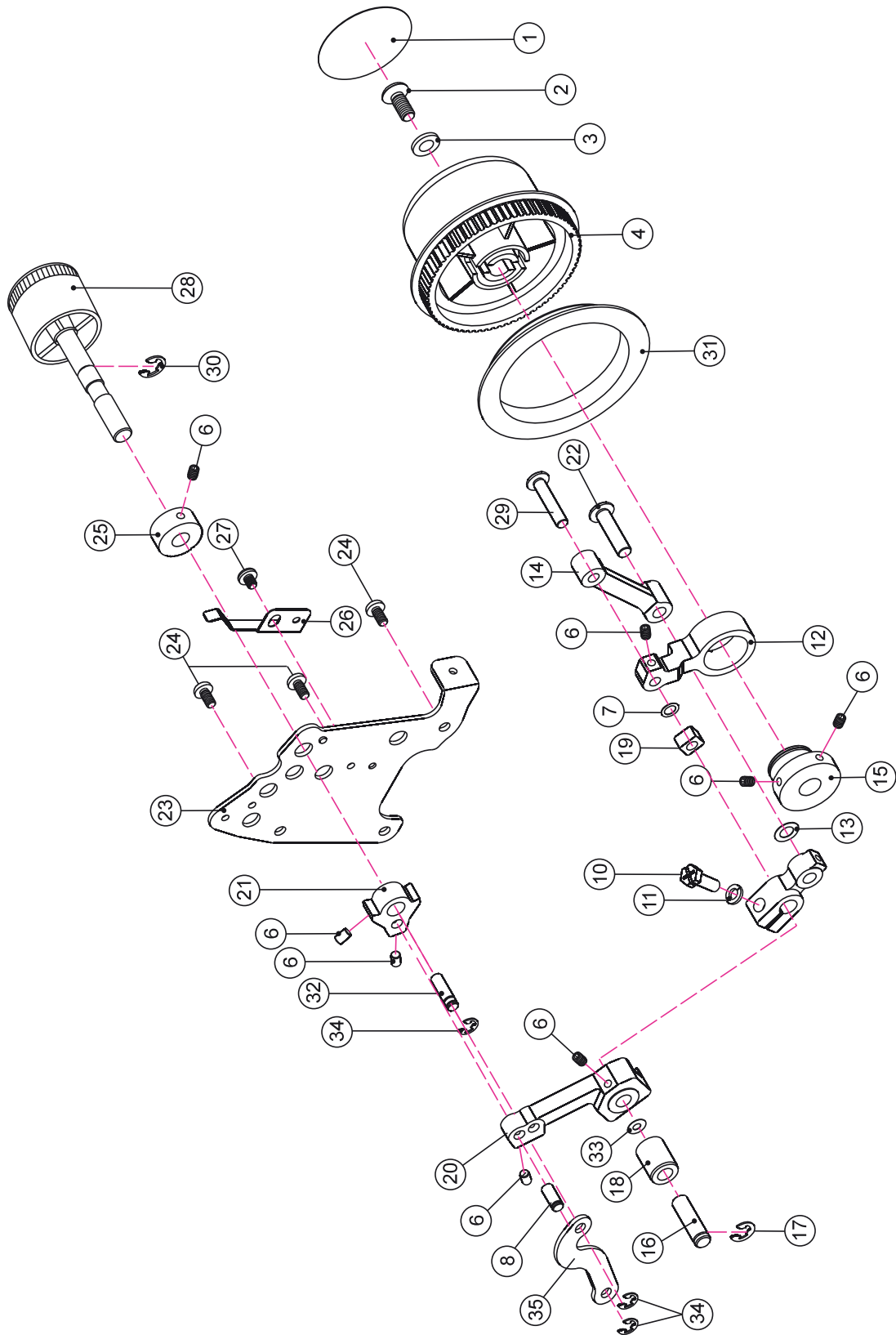


NO.	PART NO.	DESCRIPTION
1	416380901	MAIN SHAFT BUSHING
2		MAIN SHAFT SET
3	270 W10T15A00	WASHER
4	270 A10951001	SETTING COLLAR
5	416599901	LOOPER CAM (A)
6	416600101	LOOPER LINK
7	270 M05L06E01	SET SCREW
8	416600201	BEARING
9	270 A10791000	LOOPER SHAFT LINK PIN
10	270 G1032	LOOPER SHAFT LINK
11	416815601	UPPER LOOPER SHAFT
12	416363001	LOOPER SHAFT BUSHING
13	270 270 A10961001	SETTING COLLAR
14	270 270 E06T08A04	E RING
15	416363301	NEEDLE BAR CONNECTING BAR
16	416363401	WASHER
17	416600401	NEEDLE BAR CAM
18	416600501	LOWER LOOPER CAM
19	416600601	LOOPER LINK
20	270 270 W04S13A06	WASHER
21	270 G1058	COVER STITCH DRIVING SHAFT
22	416363801	FEED DOG CAM
23	416363901	FEED DOG SUPPORTER SLIDE BLOCK
24	416364001	COVER STITCH LOOPER CAM
25	270 G3015	COVER STITCH LINK
26	41681571	WAVER STITCH SHAKING ARM
27	270 G1031	WAVER LINK BAR PIN (B)
28	270 G1013	WAVER LINK BAR PIN (A)
29	416815801	LOWER LOOPER SHAFT
30	416815901	WASHER
31	270 G3018	COVER STITCH SHAFT
32	270 G1016	WAVER STITCH SHAKING ARM
33	270 W08T12A00	WASHER
34	270 W08F12A01	WASHER
35	270 G3016	SHAFT DRIVING SUPPORT
36	270 A10831000	FEED DOG LINK PIN (B)
37	270 M04L06E01	SET SCREW
38	416377201	SET SCREW
39	270 M04L12F01	SET SCREW
40	416816001	LOOPER SHAFT LINK SET (NO. 7.10.37. INCLUDED)
41	416816101	SETTING COLLAR SET (NO. 13.38 INCLUDED)
42	416600501	LOWER LOOPER CAM SET (NO. 18.37 INCLUDED)
43	416816201	COVER STITCH LOOPER CAM SET (NO. 24.37 INCLUDED)
44	416816301	WAVER STITCH SHAKING ARM SET (NO. 26.37 INCLUDED)
45	416816401	SETTING COLLAR SET (NO.4.37 INCLUDED)
46	416599901	LOOPER CAM (A) SET (NO.5.37 INCLUDED)
47	416816501	SHAFT DRIVING SUPPORT SET (NO.35.37 INCLUDED)
48	416816601	NEEDLE BAR CAM SET (NO.17.37 INCLUDED)
49	416600101	LOOPER LINK SET (NO.6.37 INCLUDED)
50	416600601	LOOPER LINK SET (NO.19.37 INCLUDED)
51	416816701	FEED DOG CAM SET (NO.22.37 INCLUDED)



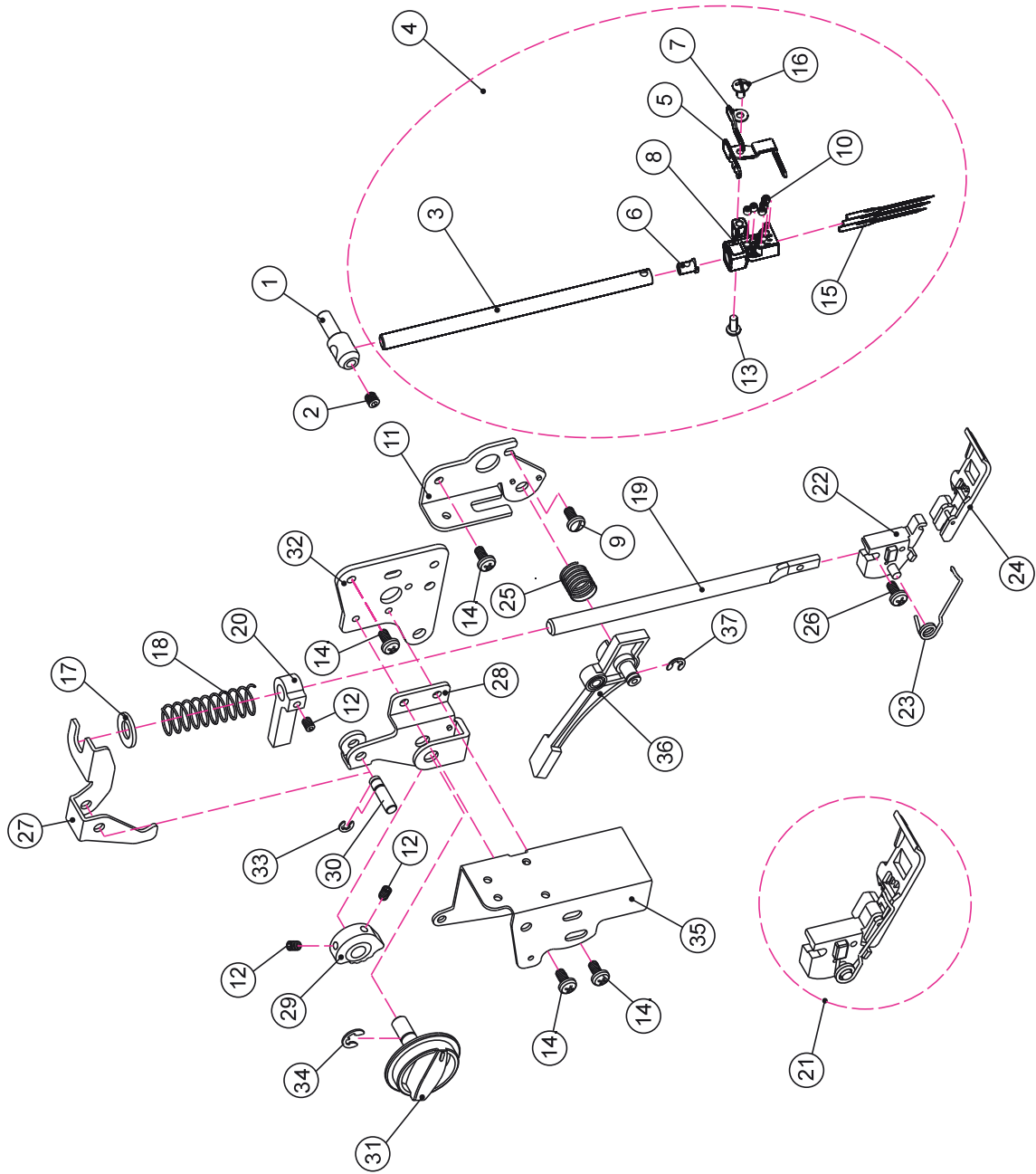


NO.	PART NO.	DESCRIPTION
1	416816801	LOOPER SHAFT BUSHING
2	416816901	NEEDLE BAR LINK SHAFT
3	270 W04S13A06	WASHER
4	270 A10961001	SETTING COLLAR
5	270 A10831000	FEED DRIVE LINK PIN (B)
6	270 W06T11A00	WASHER
7	270 G1089	NEEDLE BAR CONNECTING ARM
8	416599401	NEEDLE BAR CRANK
9	416377801	NEEDLE BAR THREAD TAKE-UP LEVER
10	416377601	SET SCREW
11	270 M04L06E01	SET SCREW
12	416377201	SET SCREW
13	416598601	SET SCREW
14	416817001	NEEDLE BAR CRANK
15	416817101	LOOPER SHAFT BUSHING
16	416816101	SETTING COLLAR SET (NO. 4.12 INCLUDED)
17	416599401	NEEDLE BAR CRANK SET (NO.8.11 INCLUDED)

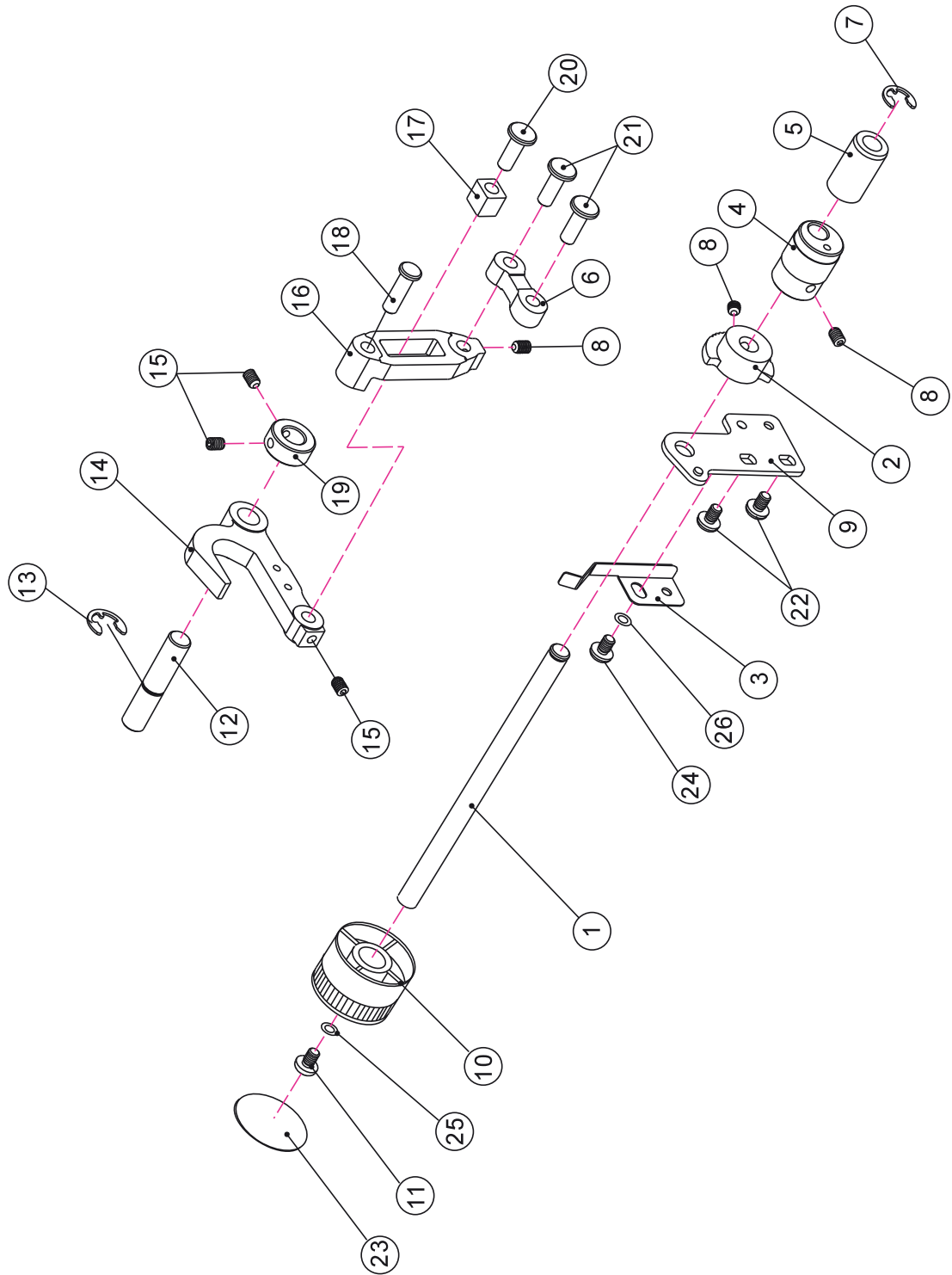


## Singer 14T970C

NO.	PART NO.	DESCRIPTION
1	270 A1115-111	HANDWHEEL DECORATE PLATE (WHITE)
2	270 M06L12I06	SET SCREW
3	270 W06F19A06	WASHER
4	270 A11401567	HANDWHEEL (BEIGE)
5	270 C20T12A01	C RING
6	270 M04L06E01	SET SCREW
7	416817201	WASHER
8	416817301	FEED DRIVING LEVER PIN
9	416817401	FEED LINK
10	270 M05L15M02	SET SCREW
11	270 W05S13A06	SPRING WASHER
12	416817501	FEED DRIVING LEVER
13	270 W06T11A00	WASHER
14	416817601	FEED LINKING LEVER
15	416365301	FEED CAM
16	270 A10861001	FEED REGULATE HOLDER SHAFT
17	270 E05T06A04	E RING
18	270 A10411000	FEED REGULATE HOLDER BUSHING
19	416365401	FEED SLIDE BLOCK
20	416817701	FEED SLIDE HOLDER
21	416817801	FEED REGULATE LINK
22	416817901	FEED REGULATE CAM
23	416818001	FEED REGULATE HOLDER
24	270 M04L08A06	SET SCREW
25	270 G1268	LOCATING COLLAR
26	270 G1257	LOCATING SPRING
27	416390601	SET SCREW
28	416818101	STITCH LENGTH DIAL
29	270 G1055	FEED DOG HOLDER PIN
30	270 E06T08A04	E RING
31	270 B1065-111	HANDWHEEL SETTING COLLAR
32	416818201	FEED REGULATE LINK PIN
33	270 W07T12A00	WASHER
34	270 E04T06A04	E RING
35	416818301	TRANSMISSION CONNECTION LEVER
36	416818401	FEED DRIVING LEVER SET
37	416818501	HANDWHEEL SET (NO. 4.31 INCLUDED) (BEIGE)
38	416818601	LOCATING COLLAR SET (NO. 6.25 INCLUDED)
39	416818701	FEED SLIDE HOLDER SET (NO.6.20 INCLUDED)
40	416818801	FEED LINK SET (NO.6.9.10.11 INCLUDED)
41	416818901	FEED CAM SET (NO.6.15 INCLUDED)
42	416819001	FEED REGULATE LINK SET (NO.6.21 INCLUDED)
43	416820101	STITCH LENGTH DIAL SET (NO.23,26,27,28,30.41 INCLUDED)



NO.	PART NO.	DESCRIPTION
1	270 G1088	NEEDLE BAR SETTING LINK
2	270 M05L06E01	SET SCREW
3	416819101	NEEDLE BAR
4	416819201	NEEDLE CLAMP COMPLETE SET (NO. 3.5.6.7.8.10.13.14.15.16 INCLUDED)
5	270 G1249	NEEDLE CLAMP THREAD GUIDE
6	416673101	NEEDLE CLAMP NUT
7	416819301	THREAD GUIDE ATTACHED PLATE
8	416819401	NEEDLE CLAMP
9	416427301	SET SCREW
10	270 M03L04H01	SET SCREW
11	270 G2013	PRESSER BAR LIFTER HOLDER
12	270 M04L06E01	SET SCREW
13	270 M03L06I04	SET SCREW
14	270 M04L08A06	SET SCREW
15		NEEDLE
15		NEEDLE
15		NEEDLE
15		NEEDLE
16	416377601	SET SCREW
17	270 W07F15A06	WASHER
18	416366201	PRESSER BAR SPRING
19	416366301	PRESSER BAR
20	416366401	PRESSER BAR SETTING LINK
21	416390801	PRESSER FOOT COMPLETE SET (NO. 22.23.24.26 INCLUDED)
22	416366501	PRESSER FOOT HOLDER
23	416366601	PRESSER FOOT SPRING
24	416472701	PRESSER FOOT
25	416366701	PRESSER BAR LIFTER SPRING
26	416367301	SET SCREW
27	416367401	NEEDLE BAR LOCATE BOARD
28	270 G1186	NEEDLE BAR LOCATE SUPPORT
29	270 G1187	NEEDLE BAR LOCATE CAM
30	270 G1188	NEEDLE BAR LOCATE PIN
31	416819501	PRESSER BAR DIAL BEIGE
32	270 G2015	SUPPORT SETTING BOARD
33	270 E04T06A04	E RING
34	270 E06T08A04	E RING
35	270 G1191	BULB HOLDER
36	416367601	PRESSER BAR LIFTER
37	270 E05T06A04	E RING
38	416819601	NEEDLE BAR SETTING LINK SET (NO. 1.2 INCLUDED)
39	416819701	NEEDLE BAR SET (NO. 3.4.5.9.10.14.16.43 INCLUDED)
40	416819801	PRESSER BAR SETTING LINK SET (NO. 20.39 INCLUDED)
41	416819901	NEEDLE BAR LOCATE CAM SET (NO. 29.39 INCLUDED)
42	416820001	PRESSER BAR LIFTER SET (NO. 36.37 INCLUDED)



NO.	PART NO.	DESCRIPTION
1	270 G1053	D.F. SHAFT
2	270 G1256	D.F. LOCATING COLLAR
3	270 G1257	D.F. DIAL LOCATING SPRING
4	270 G1052	D.F. REGULATE CAM
5	270 A40101000	D.F. DIAL BUSHING
6	270 G1047	D.F. LINK BAR
7	270 E05T06A04	E RING
8	270 M04L06E01	SET SCREW
9	270 G1164	D.F. DIAL SUPPORT
10	416820201	D.F. DIAL
11	270 M03L08I04	SET SCREW
12	270 G1054	D.F. REGULATE SHAFT
13	270 E06T08A04	E RING
14	416369401	D.F. REGULATE SUPPORT
15	416377201	SET SCREW
16	416369501	D.F. SLIDE SUPPORT
17	416369601	D.F. SLIDE BLOCK
18	270 G1055	FEED DOG HOLDER PIN
19	270 A10961001	SETTING COLLAR
20	270 A10791000	D.F. SLIDE BLOCK PIN
21	270 G1050	D.F. LINK PIN
22	270 M04L08A06	SET SCREW
23	270 G1273	DIAL CUP
24	416390601	SET SCREW
25	270 W03F07A06	WASHER
26	270 W04F10A06	WASHER
27	416820301	D.F. LOCATING COLLAR SET (NO. 2.8 INCLUDED)
28	416820401	D.F. REGULATE CAM SET (NO. 4.8 INCLUDED)
29	416820501	D.F. REGULATE SUPPORT SET (NO. 14.15 INCLUDED)
30	416820601	D.F. SLIDE SUPPORT SET (NO. 8.16 INCLUDED)
31	416816101	SETTING COLLAR SET (NO. 15.19 INCLUDED)
32	416820701	D.F. SLIDE SUPPORT SET SET (NO. 6.21.18.30 INCLUDED)

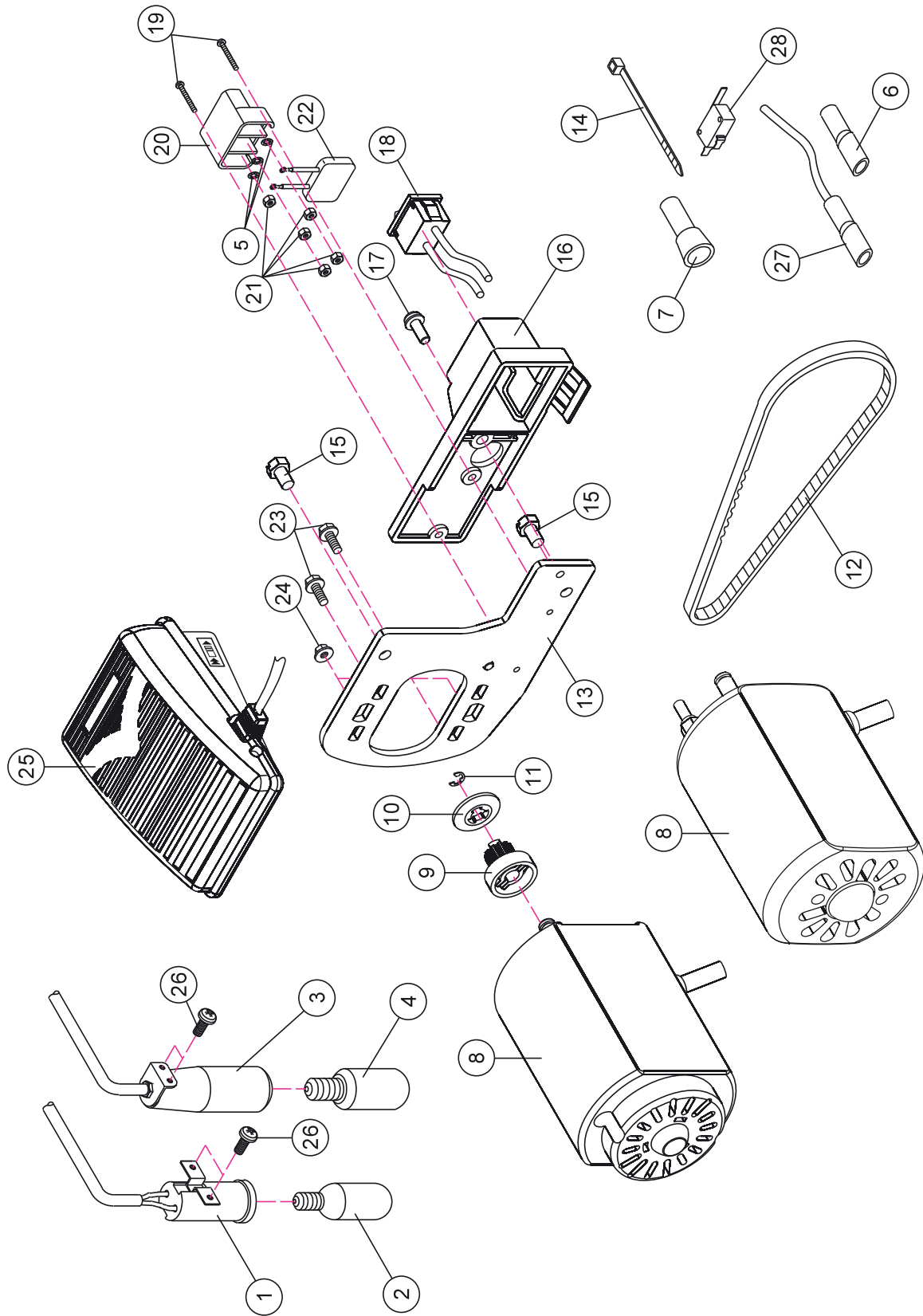




NO.	PART NO.	DESCRIPTION
1	416363801	FEED DOG CAM
2	270 G1044	FEED DOG HOLDER (REAR)
3	416369901	FEED DOG (REAR)
4	270 G1049	FEED DOG HOLDER (FRONT)
5	416369801	FEED DOG (FRONT)
6	416363901	FEED DOG SUPPORTER SLIDE BLOCK
7	416370001	FEED DOG SUPPORTER (FRONT)
8	416368501	SET SCREW
9	416368401	WASHER
10	270 M04L06E01	SET SCREW
11	416370101	SET SCREW
12	270 G1056	FEED DOG HOLDER PIN
13	270 G10482	FEED DOG SHAKING ROD COMPLETE SET
14	270 E07T08A04	E RING
15	416369701	SET SCREW
16	270 W06T13A00	WASHER
17	416377201	SET SCREW
18	416363001	LOOPER SHAFT BUSHING(R)
19	416820801	LOOPER SHAFT BUSHING(L)
20	270 A10961001	SETTING COLLAR
21	270 W08T12A00	WASHER
22	416816701	FEED DOG CAM SET (NO. 1.10 INCLUDED)
23	416820901	FEED DOG HOLDER (REAR) SET (NO. 2.3.15 INCLUDED)
24	416821001	FEED DOG HOLDER (FRONT) SET (NO. 4.17 INCLUDED)
25	416816101	SETTING COLLAR SET (NO. 17.20 INCLUDED)



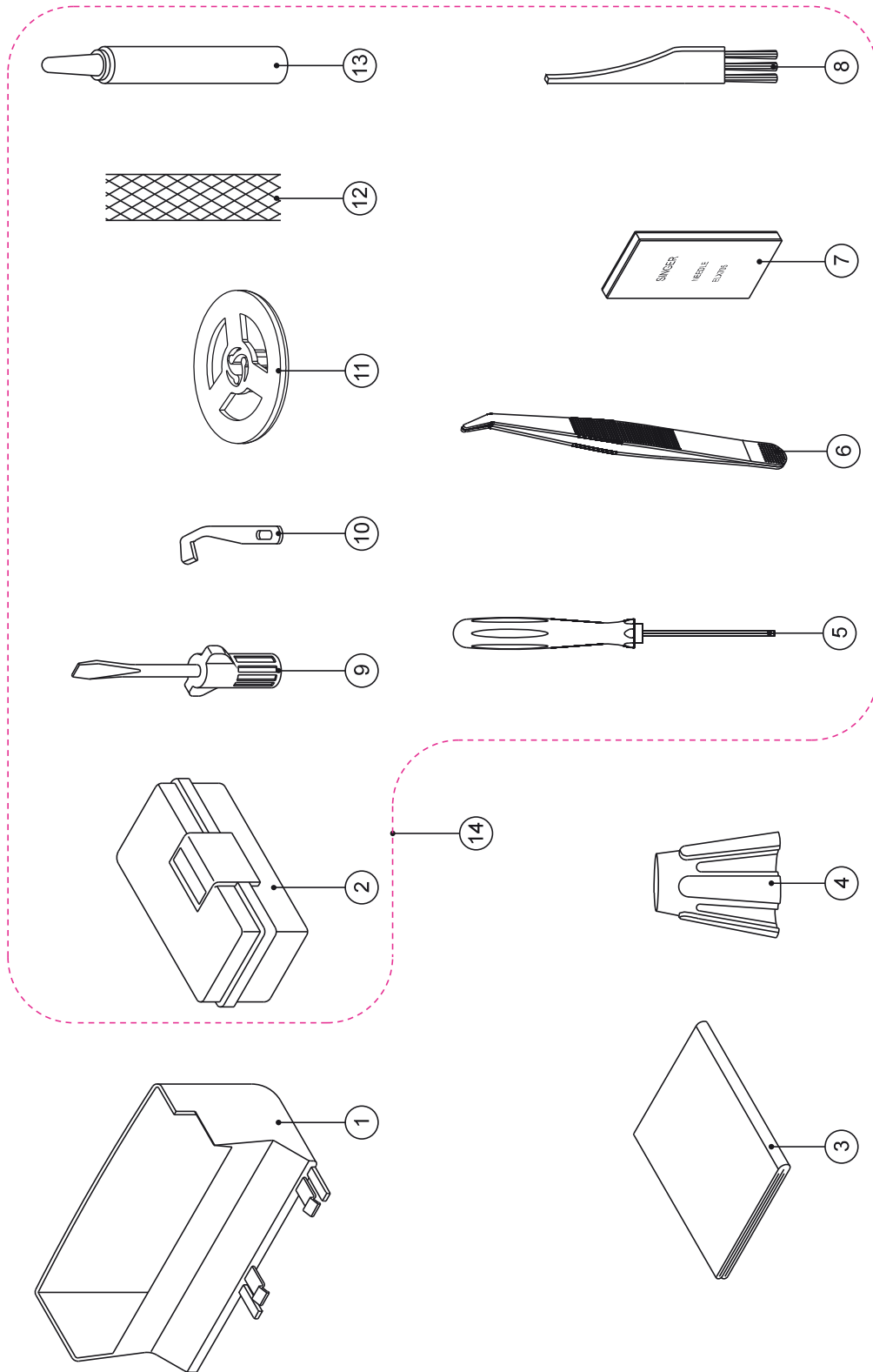
NO.	PART NO.	DESCRIPTION
1	416371101	COVER STITCH LOOPER
2	416371401	COVER STITCH LOOPER SUPPORTER
3	416371201	COVER STITCH LOOPER PROTECT BOARD
4	416370501	AUTO THREADER SHAFT
5	416370601	AUTO THREADER
6	270 E04T06A04	E RING
7	416370701	AUTO THREADER SPRING
8	416370801	NUT
9	416369701	SET SCREW
10	270 W03F07A06	WASHER
11	270 M05L18M02	SET SCREW
12	270 W05S13A06	SPRING WASHER
13	416371301	COVER STITCH LOOPER THREAD GUIDE
14	270 M03L03A03	SET SCREW
15	270 G1287	WASHER
16	416369101	COVER STITCH LOOPER THREAD TAKE-UP LEVER (D)
17	416369201	COVER STITCH LOOPER THREAD TAKE-UP LEVER (E)
18	270 M04L08A06	SET SCREW
19	270 W04S13A06	WASHER
20	270 A11481499	COLOR STICKER (BROWN)
21	416821201	COVER STITCH LOOPER SUPPORTER SET (NO. 2.11.12.16 INCLUDED)
22	416821301	COVER STITCH LOOPER PROTECT BOARD SET (NO. 3.21 INCLUDED)



## Singer 14T970C

**N**

NO.	PART NO.	DESCRIPTION
1	270 EE001	LIGHTING SET (120V)
1	270 EE003	LIGHTING SET (100V)
2	270 EE0101000	BULB (100V)
2	270 EE0131000	BULB (120V)
3	270 EE002	LIGHTING SET (240V)(AVAILABLE FOR 220V/230V/240V)
4	416300001	BULB (240V)(AVAILABLE FOR 220V/230V/240V)
5	416598101	WASHER
6	270 EE0511184	TERMINAL W/UN-TRANSPARENT INSULATION TUBE
7	270 EE0081000	C4 END TERMINAL
8	416371601	MOTOR (100V) JAPAN
8	416371701	MOTOR (115V) U.S.A.
8	416371801	MOTOR (230V) EUROPE
9	416302101	TIMING BELT PULLEY
10	416372001	TIMING BELT PULLEY COVER
11	270 E04T06A04	E RING
12	270 A1O011000	TIMING BELT
13	416821401	MOTOR SUPPORTER
14	270 EE0112004	CORD CLIP
15	270 M05L15M02	SET SCREW
16	416821501	SWITCH SUPPORTER
17	270 M04L10W08	SET SCREW
18	270 EE0112000	SWITCH
19	416597801	SET SCREW
20	416372401	MACHINE SOCKET
21	416597701	NUT
22	416372501	CONDENSER(220V~240V)
23	416597601	NUT (220V)
24	416597201	NUT (115V)
25	270 4C315A202	FOOT CONTROLLER (115V) U.S.A.
25	416810101	FOOT CONTROLLER (220V) SOUTH AFRICA
25	416810201	FOOT CONTROLLER (230V) EUROPE
25	416810301	FOOT CONTROLLER (240V) AUSTRALIA & NEW ZEALAND
25	416810401	FOOT CONTROLLER (240V) U.K.
26	270 M03L04A03	SET SCREW
27	270 EE0501000	TERMINAL W/TRANSPARENT INSULATION TUBE
28	68019096	MICRO SWITCH (416373001 REPLACED BY 68019096)



NO.	PART NO.	DESCRIPTION
1	416810001	CHIP BOX (BEIGE)
2	416383401	ACCESSORY BOX
3	270 A1U011000	DUST COVER
4	270 A1V011567	CONE HOLDER
4	416809801	CONE HOLDER
5	416596901	HEXAGON DRIVER
6	416373101	TWEEZERS
7	270 A1J053000	NEEDLE X 5
8	270 LINTBRUSH	CLEANING BRUSH
9	270 A1F011211	SCREW DRIVER
10	416364601	UPPER KNIFE
11	416383601	SPOOL CAPS
11	416383801	SPOOL CAPS
12	416383901	NET
13	270 OIL	OILER
14	416809701	ACCESSORY BOX SET (NO.2.5.6.7.8.9.10.11.12.13 INCLUDED)