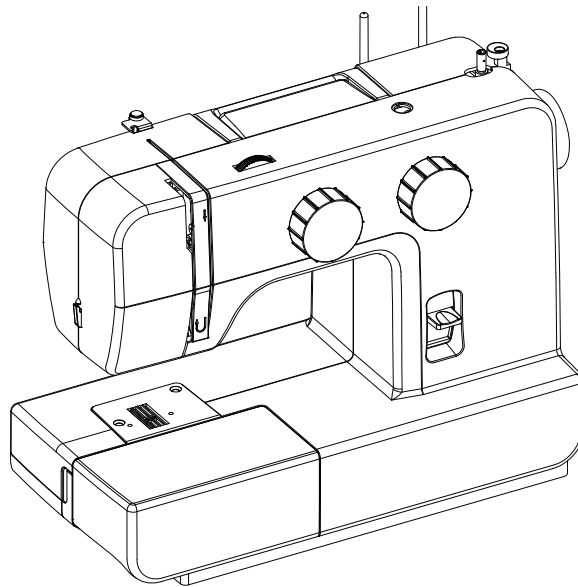




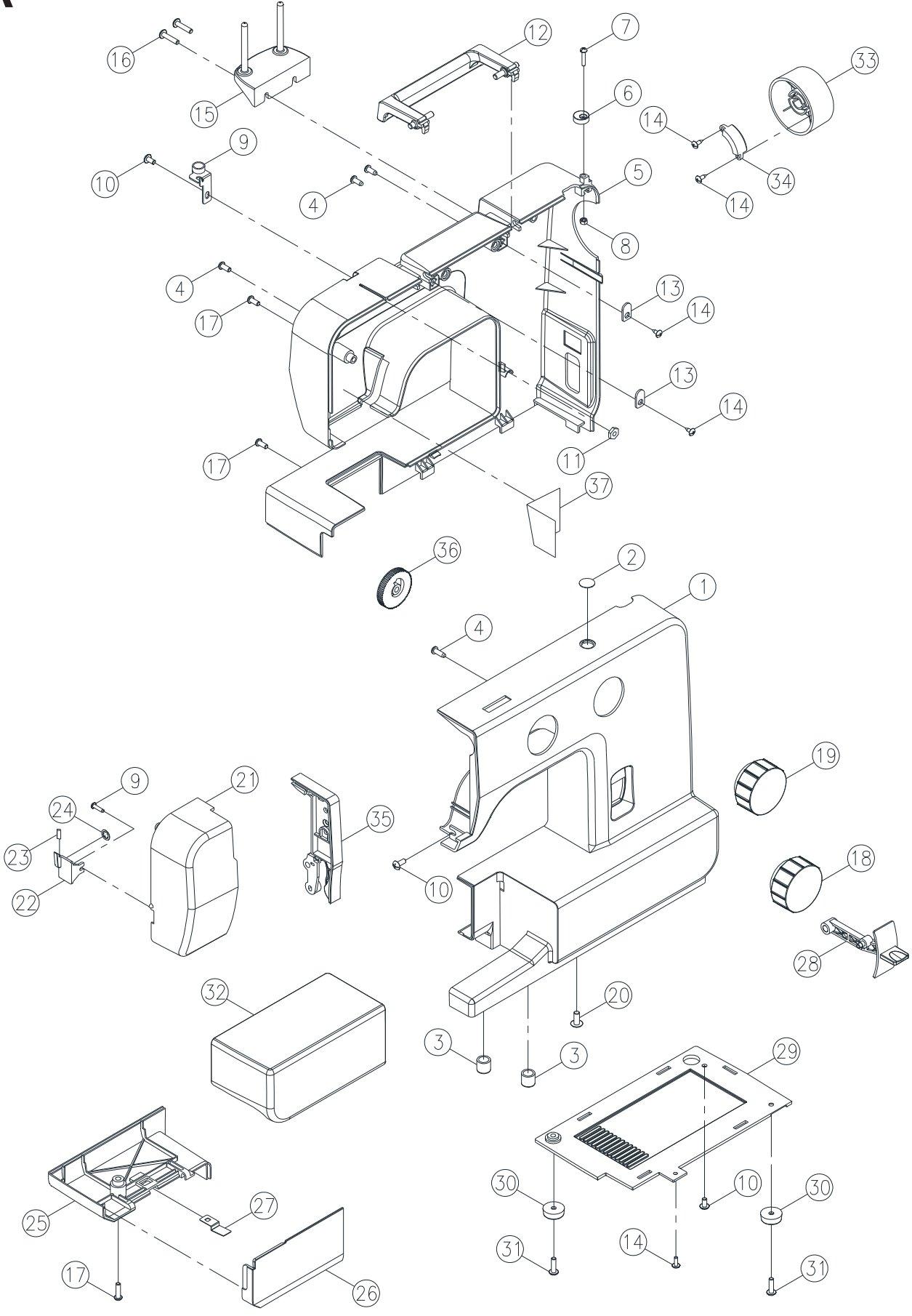
1408, 1409



Liste de pièces
Lista de Piezas
Parts List

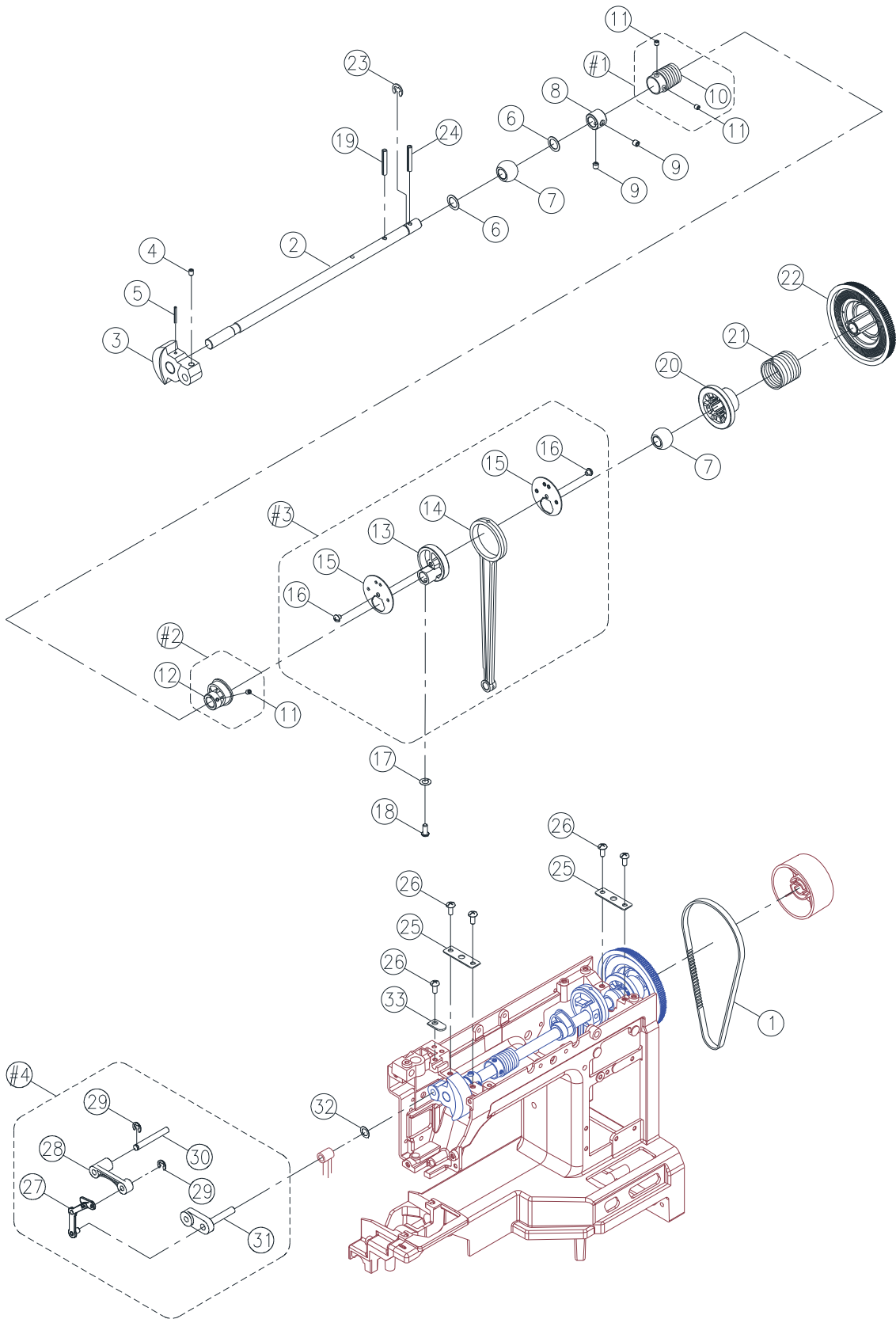
® A registered trademark of The Singer Company Ltd. or its affiliates.
® *Una marca registrada de The Singer Company Ltd. o sus afiliados.*
® *Une marca déposée de The Singer Company Ltd. ou ses filiales.*

A



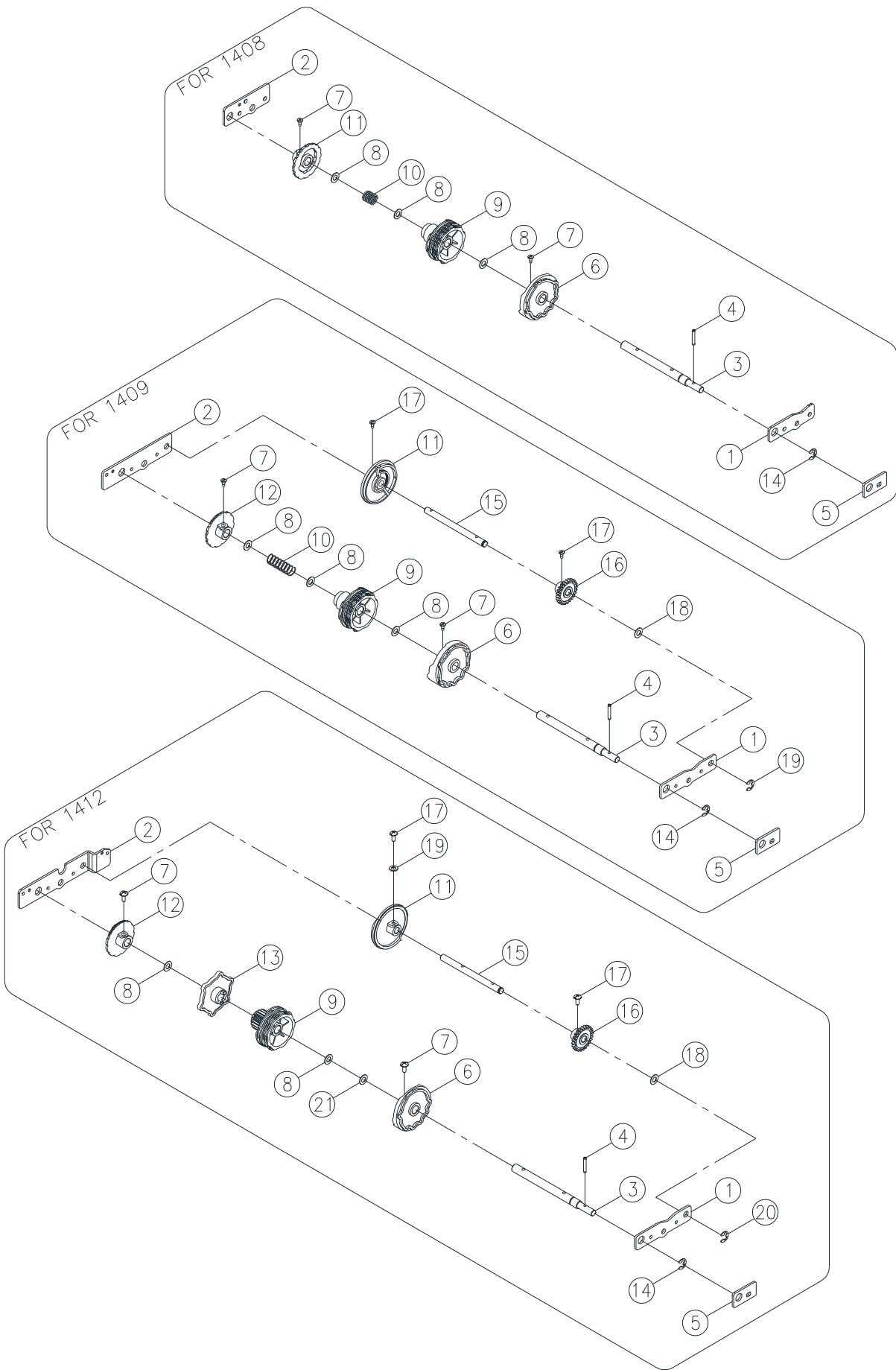
No.	Part No.	Description
1	68016459	FRONT COVER (FOR 1408)
1	68016463	FRONT COVER (FOR 1409)
2	68001420	PLATE (1)
3	68003263	FREE ARM BASE CUSHION RUBBER
4	416122201	SET SCREW (M4x10 B)
5	416796301	BACK COVER
6	416554101	BOBBIN WINDER STOPPER
7	416174001	SET SCREW (9/64x40x16 B)
8	416126301	NUT (9/64x40 t=3)
9	416245701	BOBBIN WINDER THREAD GUIDE CPL.
10	416121501	SET SCREW (M4x8 A)
11	416126501	NUT (6.8x7.8x3 M4x0.7)
12	416522601	HANDLE
13	416152201	SET WASHER
14	416681501	SET SCREW (M3x8.5)
15	416515001	SPOOL PIN PLATE
16	416123501	SET SCREW (M4x20 A)
17	416185401	SET SCREW (M4x10 B)
18	68016464	PATTERN SELECTOR DIAL (FOR 1408)
18	68016467	PATTERN SELECTOR DIAL (FOR 1409)
19	68016468	STITCH LENGTH DIAL (FOR 1409)
20	68013169	SET SCREW (M5x10 B)
21	416796401	FACE COVER
22	416522901	FACE CUTTER PLATE
23	412423701	THREAD CUTTER
24	416116701	CS-RING (CSTW-5)
25	416523001	BED COVER
26	416523101	HOOK COVER
27	416421301	HOOK COVER SPRING
28	416519501	REVERSE LEVER BUTTON
29	416523201	BOTTOM PLATE
30	416642201	FREE ARM BASE CUSHION RUBBER
31	68001182	SET SCREW (M4x15 A)
32	416487901	SEWING TABLE BODY
33	416515501	HAND WHEEL
34	270 V61893000	HAND WHEEL BALANCE LUMP
35	416795001	DIAL TENSION SUPPORTER PLATE COVER
36	416498301	DIAL TENSION KNOB

B



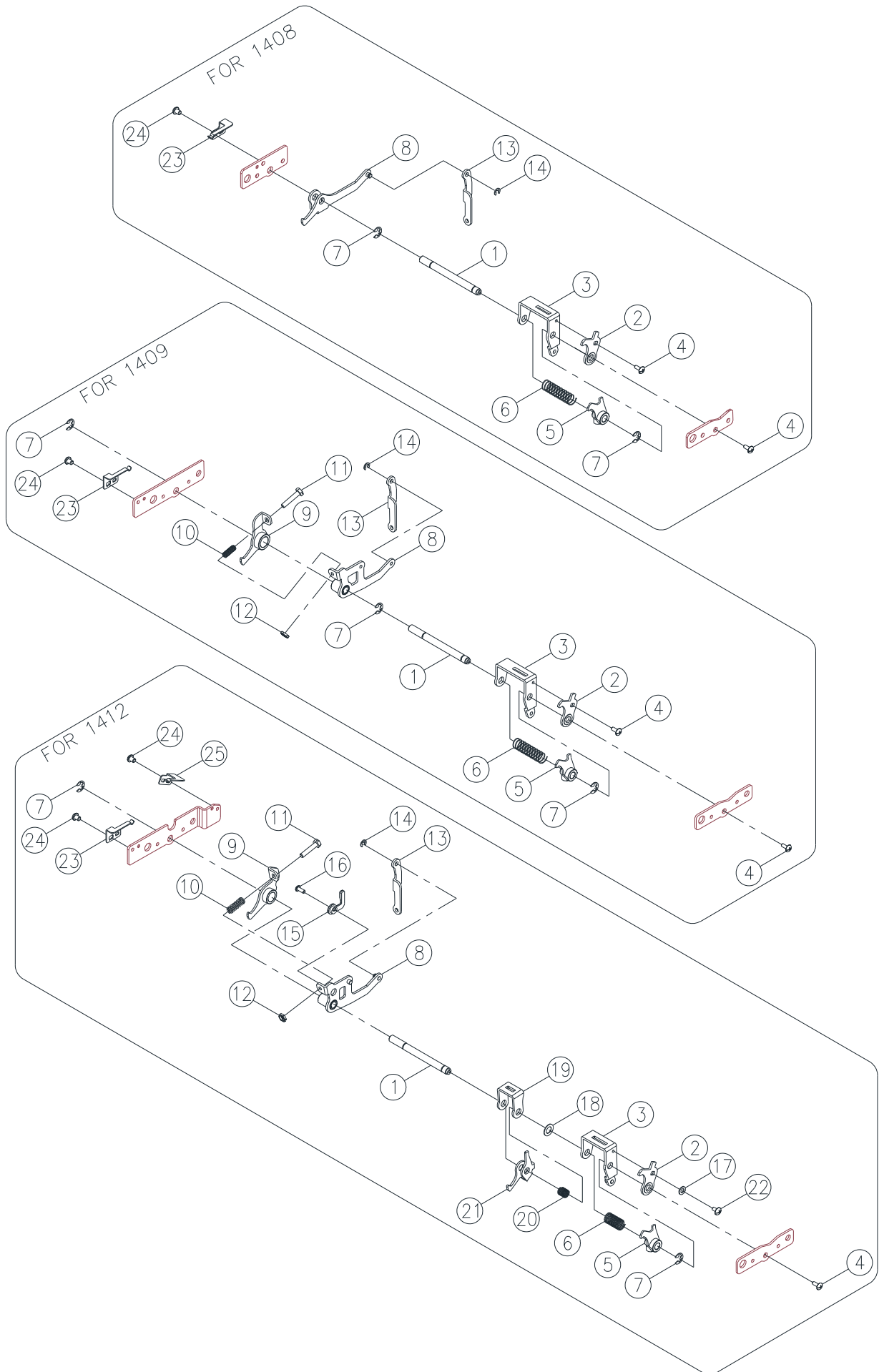
No.	Part No.	Description
#1	416515601	ARM SHAFT WORM CPL.
#2	416150501	FEED CAM CPL.
#3	68013260	CRANK CONNECTING ROD CPL.
#4	68013759	THREAD TAKE UP LEVER CPL.
1	416515401	BELT
2	416516101	ARM SHAFT
3	416170701	ARM SHAFT BALANCE
4	416122101	SET SCREW(M4x6 C)
5	416117701	PIN (3.5x24)
6	416125101	ENDURE ATTRITION WASHER (10.2x15x0.5)
7	416156301	ARM SHAFT BUSING
8	416765101	ARM SHAFT COLLAR
9	416121001	SET SCREW (M4x5 C)
10	416515201	ARM SHAFT WORM
11	416122401	SET SCREW (M4x4 C)
12	416150401	FEED CAM
13	SEE #3	CRANK CONNECTING ROD CAM (Replaced by 68013260)
14	SEE #3	CRANK CONNECTING ROD (Replaced by 68013260)
15	SEE #3	CRANK CONNECTING ROD COVER (Replaced by 68013260)
16	SEE #3	SET SCREW (M4x4 B) (Replaced by 68013260)
17	416126101	WASHER (4.2x7.2x1.2)
18	416118601	SET SCREW (11/64x40x12)
19	416680401	SPRING PIN (3x28)
20	416307201	CLUTCH SLEEVE
21	270 D5A0573003	ARM SHAFT CLUTCH ANNULUS SPRING
22	416515301	ARM SHAFT DRIVER BELT PULLEY
23	416680501	E-RING (ETW-8)
24	416680701	SPRING PIN (3x30)
25	416161701	ARM SHAFT BUSHING HOLDER PLATE
26	416121501	SET SCREW (M4x8 A)
27	SEE #4	THREAD TAKE-UP LEVER CPL. (S) (Replaced by 68013759)
28	SEE #4	THREAD TAKE UP LEVER SUPPORTER (Replaced by 68013759)
29	416116101	E-RING (ETW-4)
30	SEE #4	THREAD TAKE UP LEVER SUPPORTER SHAFT (Replaced by 68013759)
31	416158001	ARM SHAFT BALANCE PIN CPL.
32	416524701	ENDURE ATTRITION WASHER (6.2x12x0.25)
33	416152201	SET WASHER

C



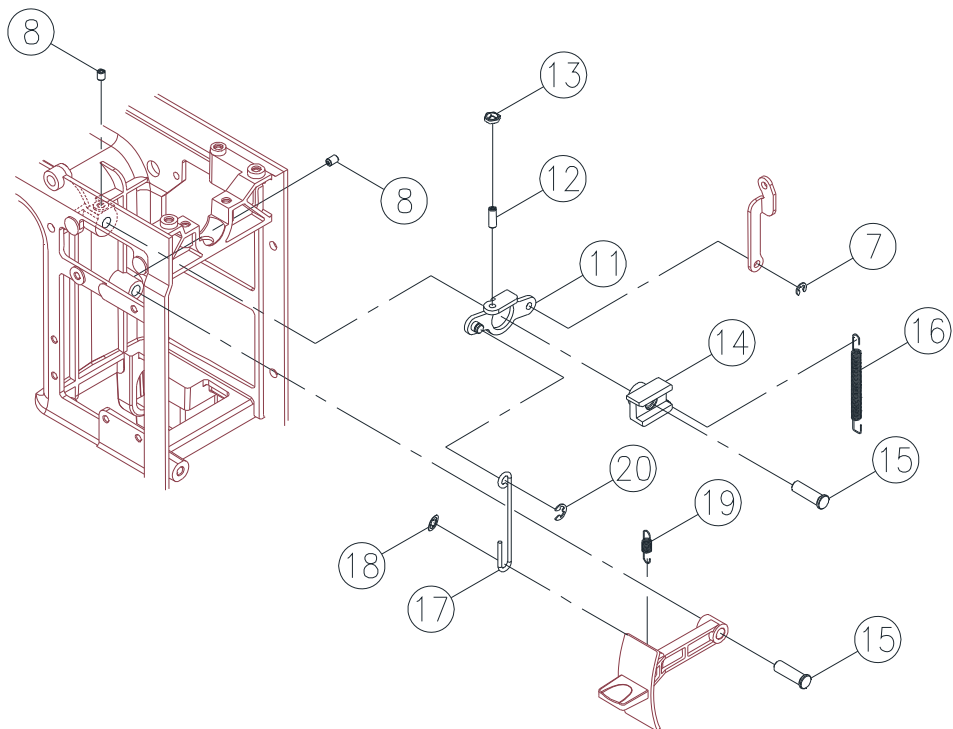
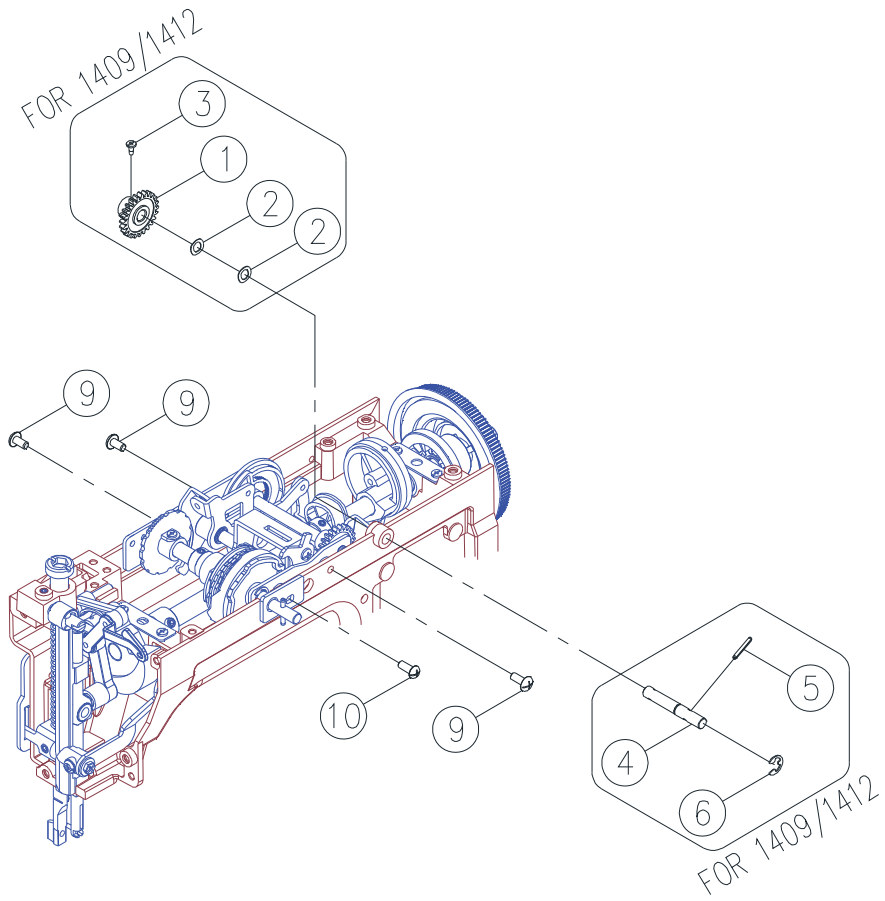
No.	Part No.	Description
1	416516201	PATTERN CAM CONTACT PLATE (FRONT) (FOR 1408)
1	416516301	PATTERN CAM CONTACT PLATE (FRONT) (FOR 1409/1412)
2	416516401	PATTERN CAM CONTACT PLATE (BACK) (FOR 1408)
2	416516501	PATTERN CAM CONTACT PLATE (BACK) (FOR 1409)
3	416516601	PATTERN SELECTOR CAM SHAFT (FOR 1408)
3	416516701	PATTERN SELECTOR CAM SHAFT (FOR 1409/1412)
4	416183901	SPRING PIN (2.5x16)
5	416519601	PATTERN SELECTOR CAM SHAFT PLATE
6	416516801	PATTERN SELECTOR CAM (FOR 1408)
6	416516901	PATTERN SELECTOR CAM (FOR 1409)
7	270 004235016	SET SCREW (M3.5x8 A)
8	416186501	WASHER (8.2x12x0.5)
9	416517001	PATTERN CAM
10	416165501	PATTERN CAM SPRING (FOR 1408)
10	416244601	ZIGZAG CAM CONTACT SPRING (FOR 1409)
11	416518501	FEED REGULATOR CAM (FOR 1408)
11	416518601	FEED REGULATOR CAM FOR 1409
12	416517101	BH PATTERN SELECTOR CAM (FOR 1409)
14	416116401	E-RING (ETW-6)
15	416518201	FEED REGULATOR CAM SHAFT (FOR 1409)
16	416518301	FEED REGULATOR GEAR (FOR 1409/1412)
17	416518401	SET SCREW (M3x8 A)
18	68013151	WASHER (6.2x12x2.0x0.15) (FOR 1409/1412)
20	416183801	E-RING (ETW-5) (FOR 1409/1412)

D



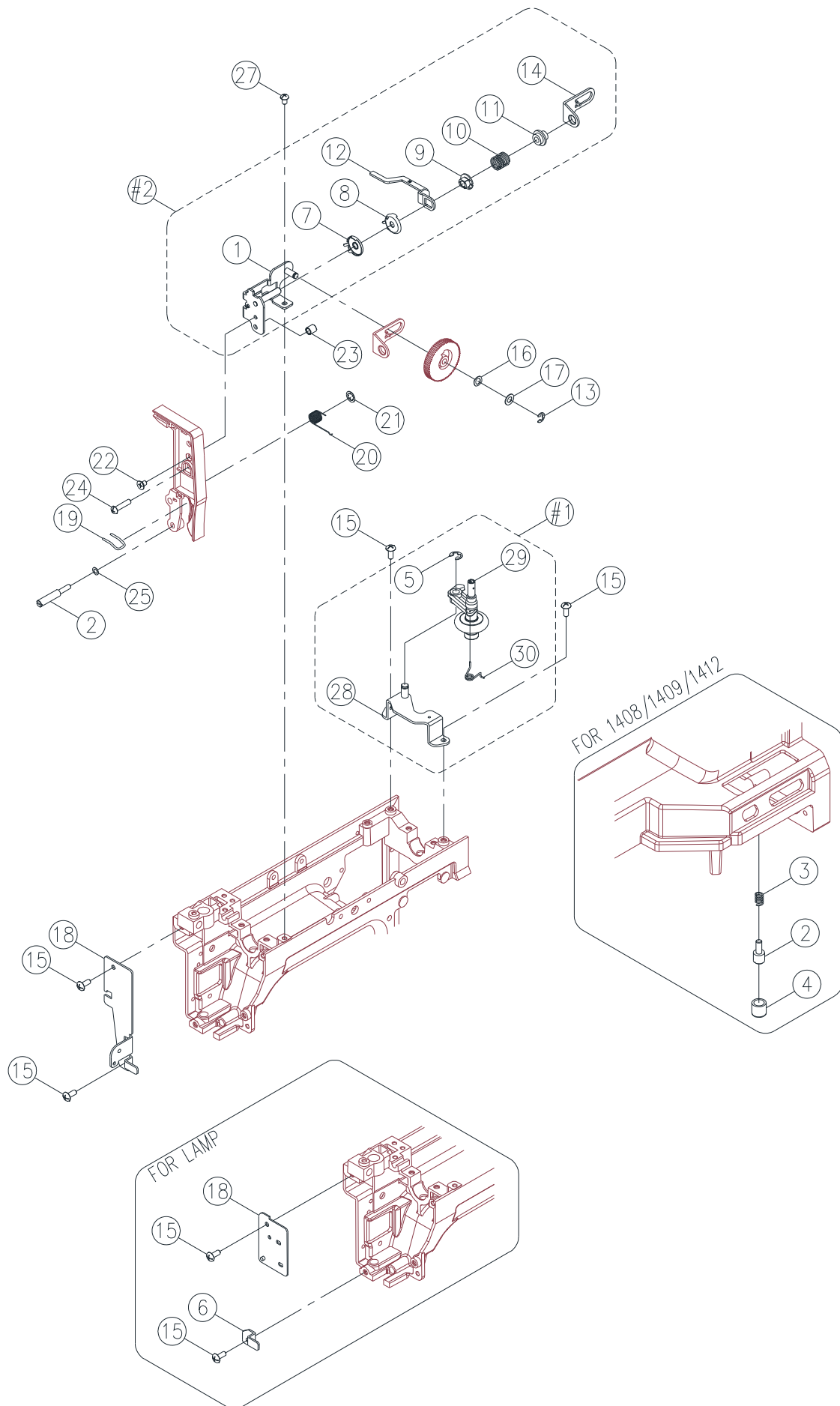
No.	Part No.	Description
1	416517201	CONTACT SUPPORTER SHAFT (FOR 1408)
1	416517301	CONTACT SUPPORTER SHAFT (FOR 1409)
2	416517401	ZIGZAG RELEASE PLATE
3	416517501	ZIGZAG CAM CONTACT SUPPORTER (FOR 1408/1409)
4	416518401	SET SCREW (M3x8 A)
5	416517701	ZIGZAG CAM CONTACT
6	416517801	ZIGZAG CAM CONTACT SPRING (FOR 1408/1409)
7	416183801	E-RING (ETW-5)
8	416517901	FEED CRANK (FOR 1408)
8	416518001	FEED CRANK (FOR 1409)
9	416771701	BH REGULATOR PLATE CPL. (FOR 1409)
10	416166701	BH SPRING (FOR 1409/1412)
11	416122801	SET SCREW (M4x20) (FOR 1409/1412)
12	68015308	NUT (ALN-4) (FOR 1409/1412)
13	416518701	FEED ROD
14	416116001	E-RING (ETW-3)
15		
16		
17		
18		
19		
20		
21		
22		
23	416518801	PATTERN FIX SPRING PLATE (FOR 1408)
23	416518901	PATTERN FIX SPRING PLATE (FOR 1409/1412)
24	416226601	SET SCREW (M4x5 B)
25		

E



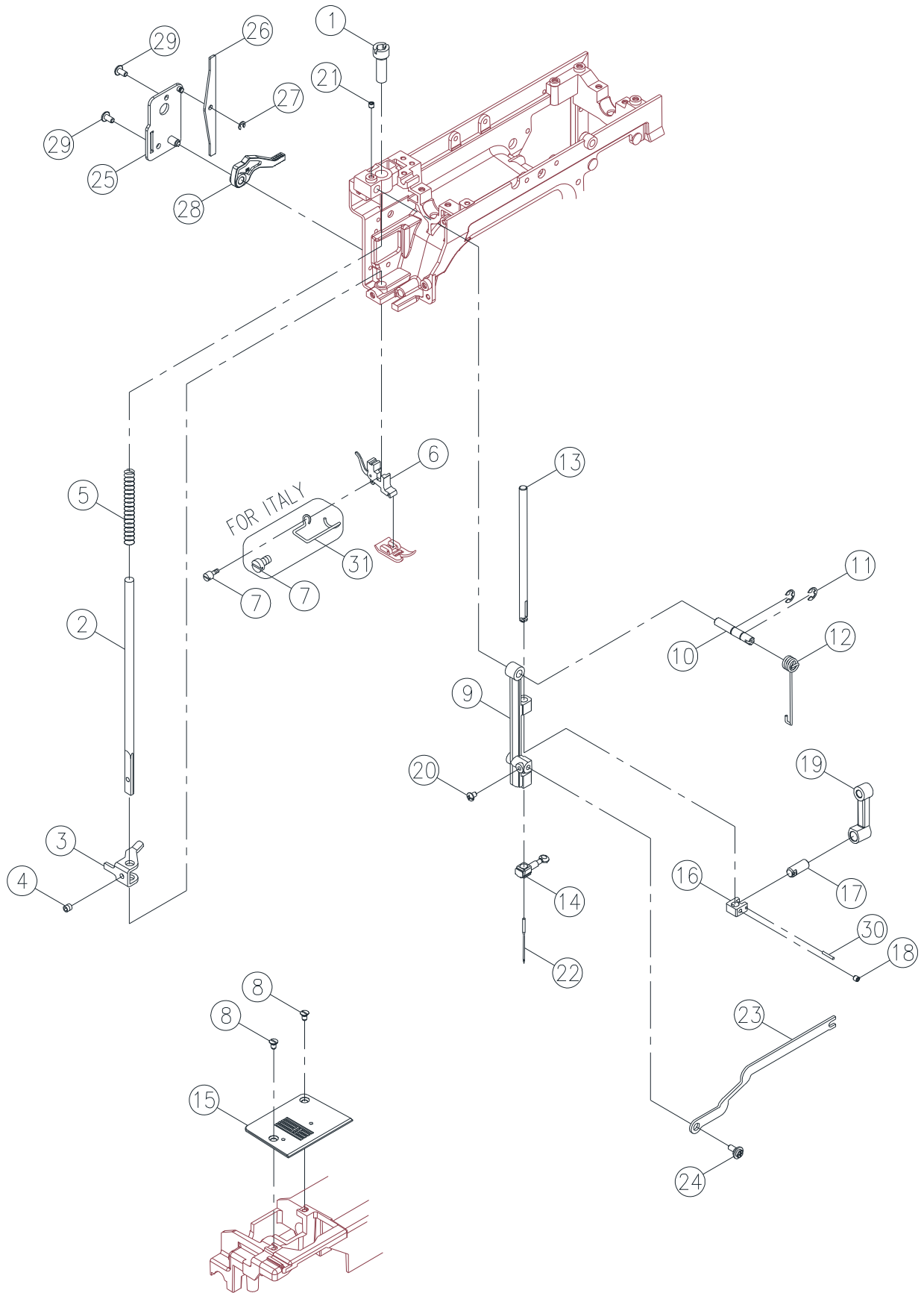
No.	Part No.	Description
1	416518301	FEED REGULATOR GEAR (FOR 1409/1412)
2	416186801	WASHER (6.5x10.5x1.5x0.15) (FOR 1409/1412)
3	416518401	SET SCREW (M3x8 A) (FOR 1409/1412)
4	416519001	STITCH LENGTH DIAL SHAFT (FOR 1409/1412)
5	416183901	SPRING PIN (2.5x16) (FOR 1409/1412)
6	416116301	E-RING (ETW-5) (FOR 1409/1412)
7	416116001	E-RING (ETW-3)
8	416122101	SET SCREW (M4x6 C)
9	416121501	SET SCREW (M4x8 A)
10	416121101	SET SCREW (M4x10 B)
11	416519201	FEED REGULATING PLATE CPL.
12	416122701	SET SCREW (M4x12)
13	68015308	NUT (ALN-4) (FOR 1409/1412)
14	416519101	FEED REGULATING
15	416163401	FEED REGULATING SHAFT
16	416173001	FEED REGULATING SPRING
17	416519401	REVERSE ROD (FOR 1408)
17	68016479	REVERSE ROD (FOR 1409/1412)
18	416225801	CS-RING (CSTW-4)
19	416155001	AUTO THREADER LEVER SPRING
20	416116201	E-RING (ETW-4)

F



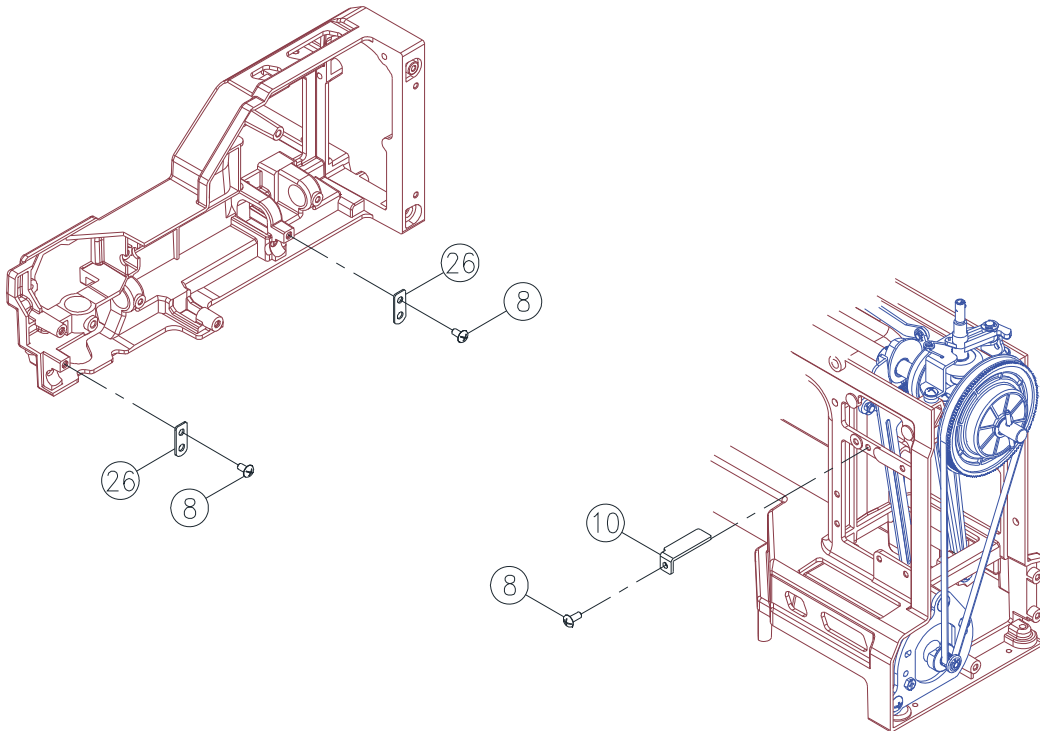
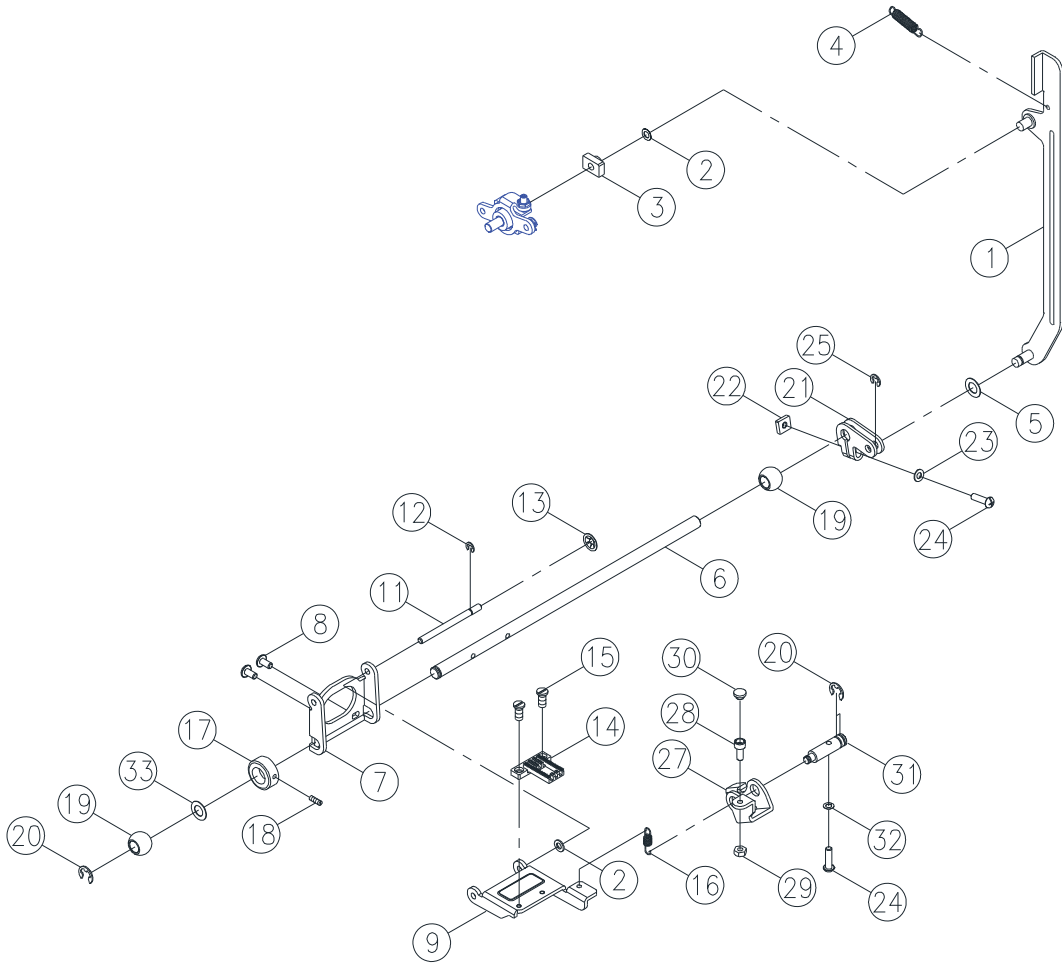
No.	Part No.	Description
#1	416772601	BOBBIN WINDER CPL.
#2	68013266	DIAL TENSION SUPPORTER PLATE CPL.
1	416735001	DIAL TENSION SUPPORTER PLATE CPL.
2	416154601	BASE PLATE ADJUSTMENT SCREW
3	416154401	BASE PLATE ADJUSTMENT SCREW SPRING
4	68003263	FREE ARM BASE CUSHION RUBBER
5	416116301	E-RING (ETW-5)
6		
7	416153601	DIAL TENSION DISC (1)
8	416146301	DIAL TENSION DISC
9	416526801	DIAL TENSION SPRING REGULATOR
10	416772201	DIAL TENSION SPRING
11	416153801	DIAL TENSION REGULATOR
12	416772101	DIAL TENSION WAFT PLATE
13	416116101	E-RING (ETW-4)
14	416162501	DIAL TENSION SPRING PLATE
15	416121501	SET SCREW (M4x8 A)
16	416126001	WASHER (WW-5)
17	416124501	WASHER (5.2x10x0.5)
18	68016480	LAMP BRACKET
19	416198701	THREAD GUIDE
20	416162601	THREAD GUIDE SPRING
21	416116701	CS-RING (CSTW-5)
22	416121901	SET SCREW (M4x6 D)
23	416151701	DIAL TENSION GUIDE SPRING TUBE
24	416121701	SET SCREW (M4x15 B)
25	416124101	WASHER (4.2x8x0.8)
26	416123001	SET SCREW (M4x14 L=37)
27	416121201	SET SCREW (M4x6 B)
28	SEE #1	BOBBIN WINDER FRAME CPL. (Replaced by 416772601)
29	SEE #1	BOBBIN WINDER CRANK CPL. (Replaced by 416772601)
30	SEE #1	BOBBIN WINDER CRANK SPRING (Replaced by 416772601)

G

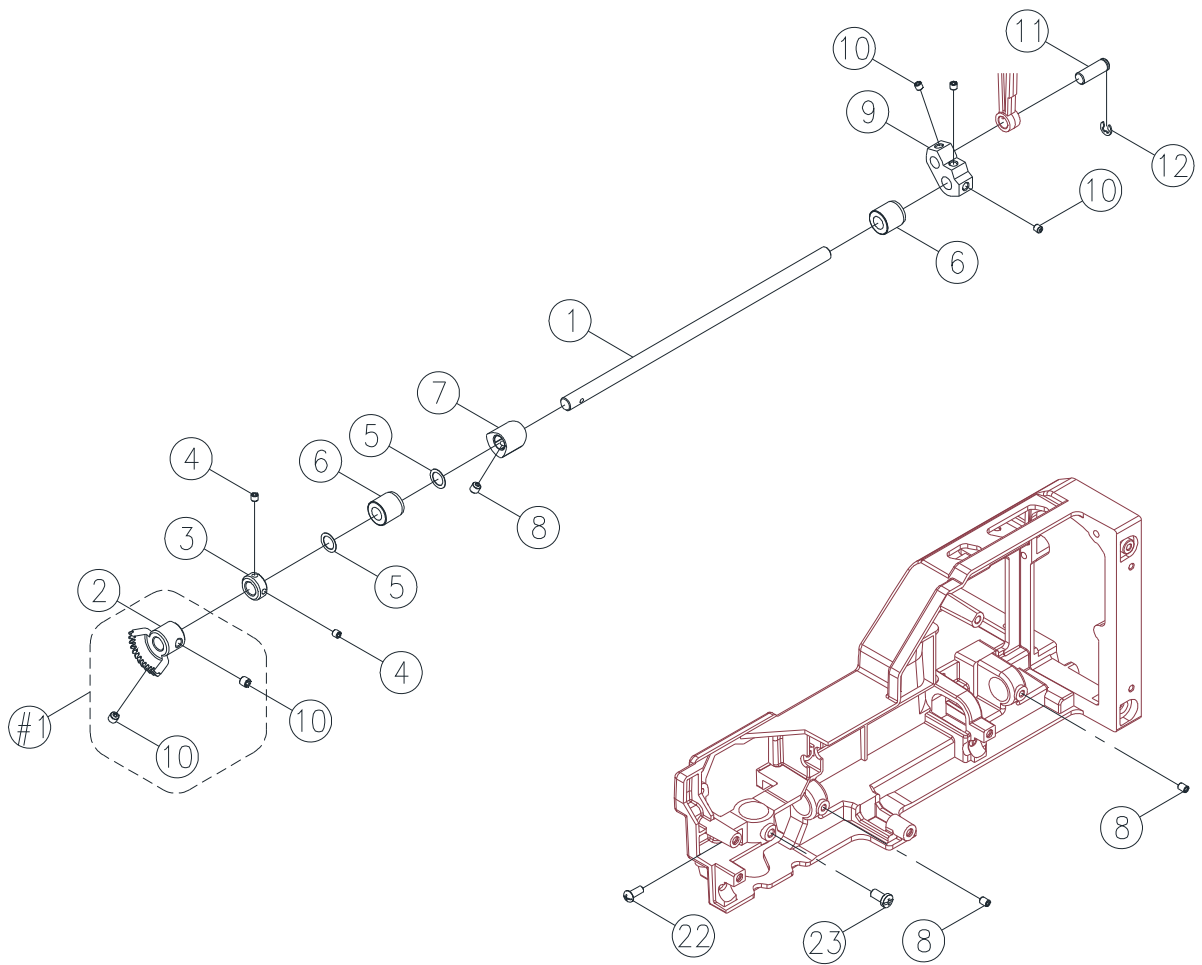
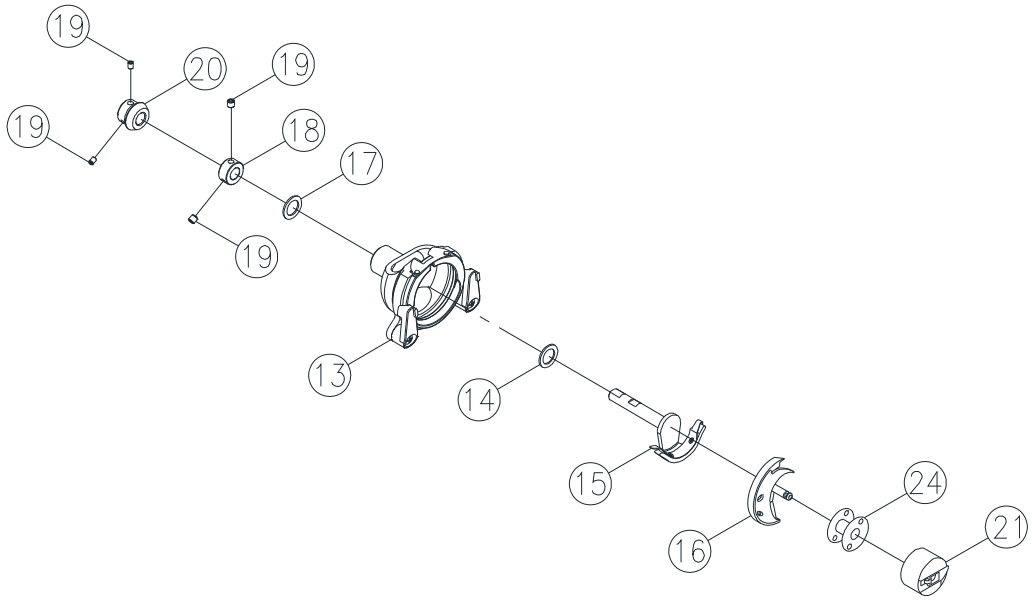


No.	Part No.	Description
1	68013226	PRESSER BAR REGULATING SCREW
2	416173401	PRESSER BAR
3	68013267	PRESSER BAR BRACKET
4	416122101	SET SCREW (M4x6 C)
5	416146901	PRESSER BAR SPRING
6	416128201	SHANK CPL.
7	416118401	SHANK SCREW (9/64x40x8)
7		
8	416122901	NEEDLE PLATE CPL. SET SCREW
9	416171401	NEEDLE BAR SUPPORTER
10	416515801	NEEDLE BAR SUPPORTER PIN
11	416116301	E-RING (ETW-5)
12	416515901	NEEDLE BAR SUPPORTER SPRING
13	416173601	NEEDLE BAR
14	416245301	NEEDLE CLAMP CPL.
15	416171501	NEEDLE PLATE
16	416638901	NEEDLE BAR BRACKET (1)
17	416638901	NEEDLE BAR BRACKET (2) (Replaced by 416638901)
18	416122401	SET SCREW (M4x4 C)
19	416639101	NEEDLE BAR CRANK ROD
20	416224401	SET SCREW (9/64x40x7 A)
21	416121001	SET SCREW (M4x5 C)
22		NEEDLE (14/90)
23	416516001	NEEDLE BAR DRIVING ROD
24	416801101	NEEDLE BAR DRIVING ROD PIN
25	68013272	CLAMP PLATE
26	68013273	TENSION LEVER LIFTER
27	416116001	E-RING (ETW-3)
28	416771601	PRESSER BAR LIFTER LEVER
29	416121501	SET SCREW (M4x8 A)
30	416572001	PIN (2x12)
31		

H



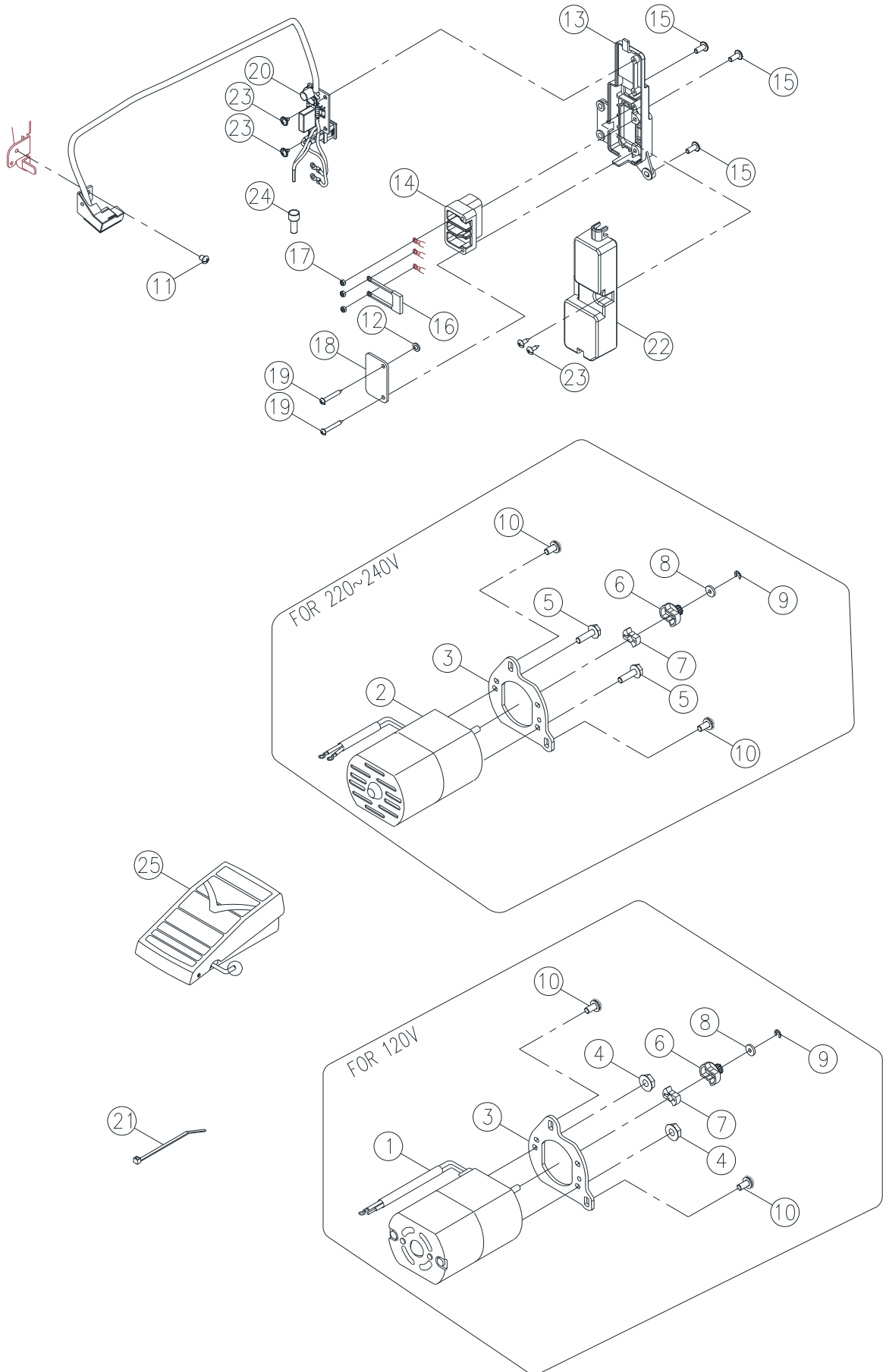
No.	Part No.	Description
1	416163501	FORK ROD
2	416125201	ENDURE ATTRITION WASHER (5.7x10.2x0.5)
3	416158601	FEED REGULATING BLOCK
4	416795201	FORK ROD SPRING
5	416125501	ENDURE ATTRITION WASHER (5.5x12x0.25)
6	416520501	FEED ROCK SHAFT
7	416164001	FEED ROCK FRAME
8	416121501	SET SCREW (M4x8 A)
9	416164101	FEED DOG FRAME
10	68013274	FORK ROD STOPPTER
11	416164201	FEED DOG FRAME SHAFT
12	416116001	E-RING (ETW-3)
13	416117901	NUT (SPN-4)
14	416171601	FEED DOG (FOR 1408/1409)
15	416528801	SET SCREW (M3x5 B)
16	416164301	FEED DOG FRAME SPRING
17	416151801	PATTERN CAM SHAFT COLLAR
18	416122401	SET SCREW (M4x4 C)
19	416162701	FEED ROCK BUSHING
20	416116401	E-RING (ETW-6)
21	416164501	FEED ROCK CRANK
22	416126701	FEED ROCK CRANK NUT (M4)
23	416124101	WASHER (4.2x8x0.8)
24	416121701	SET SCREW (M4x15 B)
25	416116101	E-RING (ETW-4)
26	416164601	BUSHING HOLDER PLATE
27	270 V60583003	FEED LIFTING ROCK CRANK
28	416123701	SEW SCREW
29	416126501	NUT (M4 t=3)
30	416154301	SEW SCREW KNOB
31	416164901	FEED LIFTING ROCK SHAFT
32	416126101	WASHER (4.2x7.2x1.2)
33	416125401	ENDURE ATTRITION WASHER (8.2x12x0.25)



No.	Part No.	Description
#1	416245801	LOWER SHAFT GEAR CPL.
1	416527801	LOWER SHAFT
2	270 G4A1573000	LOWER SHAFT GEAR
3	416158801	LOWER SHAFT COLLAR
4	416122401	SET SCREW(M4×4 C)
5	416125401	ENDURE ATTRITION WASHER (8.2x12x0.25)
6	416141701	FEED ROCK BUSHING
7	416520701	FEED LIFTING ROCK CAM
8	416122101	SET SCREW (M4x6 C)
9	270 V60354000	CRANK CONNECTING ROD CRANK
10	270 004250203	SET SCREW (M5x5 C)
11	416158201	CRANK CONNECTING ROD CRANK PIN
12	416116301	E-RING (ETW-5)
13	68000176	OPEN SHUTTLE RACE CPL.
14	416125701	ENDURE ATTRITION WASHER (7.6x12x0.13)
15	68000174	SHUTTLE DRIVER CPL.
16	416392101	SHUTTLE HOOK
17	416125301	ENDURE ATTRITION WASHER (8.2x16x0.5)
18	416153101	SHUTTLE DRIVER SHAFT COLLAR
19	416118701	SET SCREW (11/64x40x4)
20	270 G4A1583000	SHUTTLE DRIVER SHAFT GEAR
21	416153401	BOBBIN CASE CPL.
22	416121101	SET SCREW (M4x10 B)
23	68013169	SET SCREW (M5x10 B)
24	68000175	BOBBIN

J

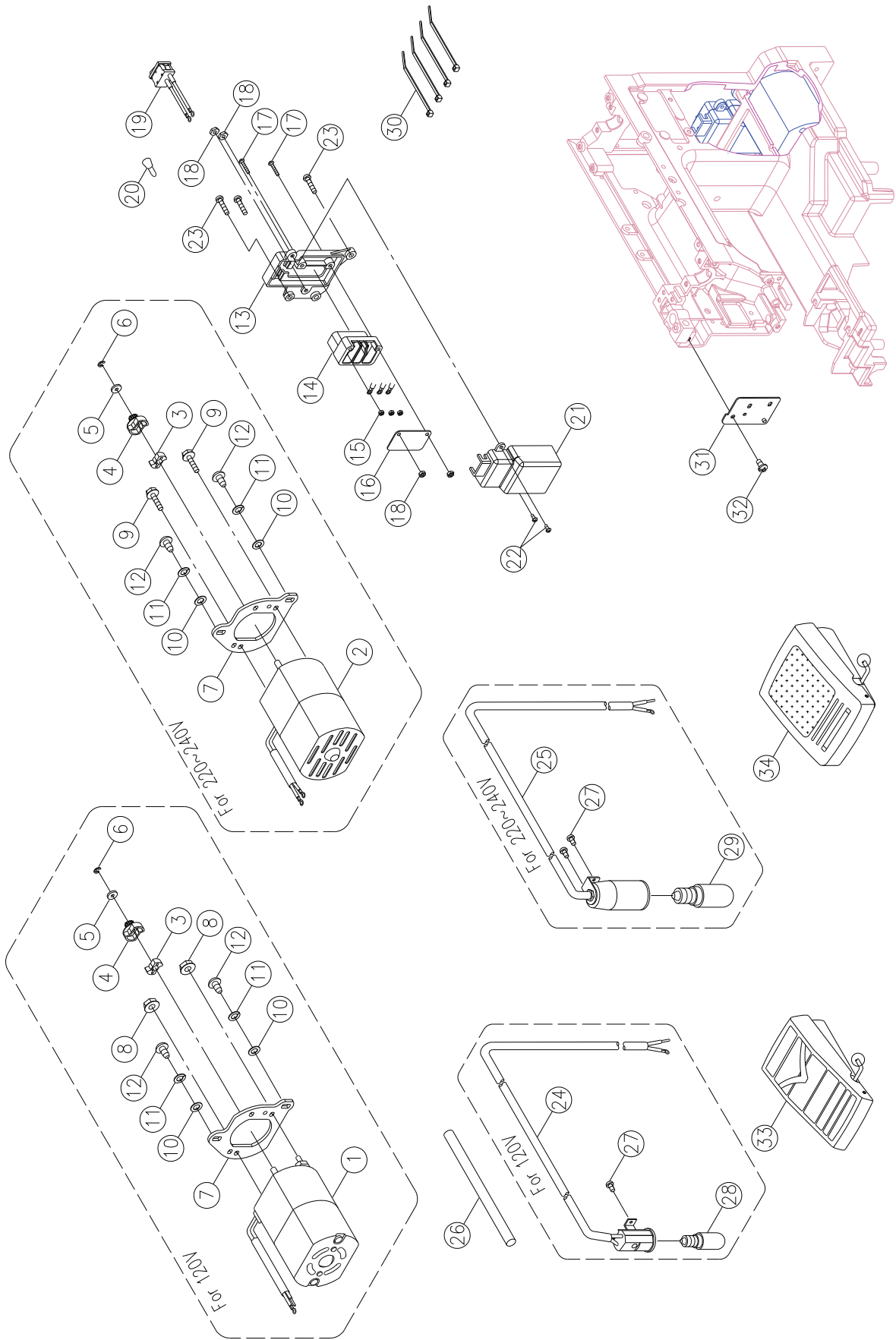
NEW LED VERSION



No.	Part No.	Description
1	68003572	MOTOR FOR 120V / US
2	416430001	MOTOR FOR 230V / EU
2	68016481	MOTOR FOR 230V / CN
2	416795701	MOTOR FOR 240V / GB
3	68016482	MOTOR BRACKET
4	416528501	NUT (M4 t=5.5) FOR 120V
5	416521501	SET SCREW (M4x10.2) FOR 230V
6	416428701	BELT WHEEL
7	416129401	CUSHION RUBBER
8	416114501	MOTOR FEED REGULATOR COLLAR
9	416116001	E-RING(ETW-3)
10	68013176	SET SCREW WASTER CPL. (M5x12)
11	416121201	SET SCREW (M4x6 B)
12	68013231	WASHER
13	68016483	RECEPTACLE HOLDER
14	416184701	RECEPTACLE
15	416121501	SET SCREW (M4x8 A)
16	68013175	CONDENSER FOR 220V~240V
17	416528701	NUT (M3x4)
18	416183601	CONCERT INSULATION PLATE
19	68001407	SET SCREW (M3x22 B)
20	68016484	LED HOLDER CPL. FOR 120V
20	68006118	LED HOLDER CPL. FOR 220V~240V
21	416113901	CORD CLIP
22	68013292	RECEPTACLE HOLDER COVER FOR 220V~240V
23	416681501	SET SCREW (M3x8.5) FOR 220V~240V
24	416133001	END TERMED
25	270 002V8E4003	FOOT CONTROLLER FOR 120V / US
25	68001147	FOOT CONTROLLER FOR 230V / EU
25	68016485	FOOT CONTROLLER FOR 230 / CN
25	68016487	FOOT CONTROLLER FOR 240V / GB

NEW LED VERSION

OLD LAMP VERSION

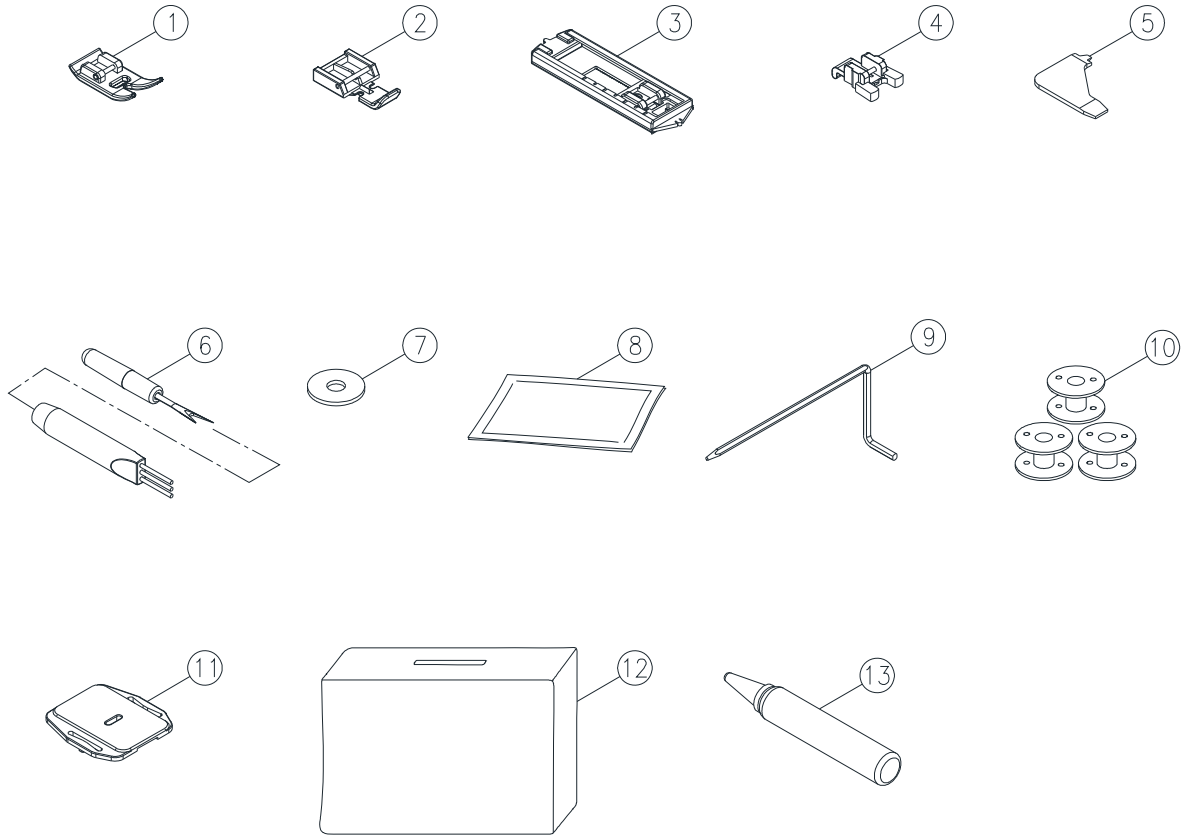


All voltage application & spec. ,please check next page.

No.	Part No.	Description	
1	416521101	Motor (HF-07150)	for 120V/US
2	416521201	Motor (HF-07250)	for 230V/EU.(20100302)
3		Cushion rubber	
4		Belt wheel	
5		Motor feed regulator collar	
6		E-Ring (ETW-3)	
7		Motor bracket	
8		Nut (M4 t=5.5)	for 120V
9		Set screw (M4x10.2)	for 220V-240V
10		Washer (5.4x10x0.9)	
11		Spring washer (5.2x9x1)	
12		Set screw (M5x12)	
13		Receptacle holder	
14		Receptacle	
15		Nut (M3x4)	
16		Concert insulation plate	
17		Set screw (M3x20)	
18		Nut (M3 t=2.3)	
19	416521701	Switch ass'y	
20		End termed	
21		Receptacle holder cover	
22		Set screw (M3x8B)	
23		Set screw (M4x15)	
24		Lamp holder complete	for 120V
25		Lamp holder complete	for 220V-240V
26		Spaghetti	
27		Set screw (M3x5B)	
28	416126901	Lamp (10W)	for 120V
29	416127001	Lamp (15W E-12)	for 240V
30		Cord clip	
31		Lamp bracket	
32		Set screw (M4x6B)	
33	270 002V8E4003	Foot controller (FC-1902)	for 120V/US
34	416522101	Foot controller (KD-2902)	for 230V/EU.

OLD LAMP VERSION

K



No.	Part No.	Description
1	416128401	ALL PURPOSE FOOT
2	416128701	ZIPPER FOOT (I)
3	416128901	BUTTONHOLE FOOT (B)
4	416284501	BUTTON SEWING FOOT
5	68000177	L-SCREWDRIVER
6	416127701	SEAM RIPPER/ BRUSH
7	416127301	SPOOL PIN FELT
8	N202014E03	NEEDLE
9	416127101	SEAM GUIDE
10	68000175	BOBBIN
11	416127901	FELT PAD
12	68016488	SOFT COVER